
ELECTRICAL CIRCUIT DIAGRAM MANUAL

Chassis Electrical Circuit Diagrams

IC Bus® RE Series – Built September 2017 and After
Engine Family: Cummins® L9

IC Bus, LLC

2701 Navistar Drive, Lisle, IL 60532 USA

TABLE OF CONTENTS

2. INSTRUCTIONS AND CHARTS (CHAPTER 2)	1
2.1. ABBREVIATIONS, P. 1.....	1
2.2. ACRONYMS, P. 2.....	2
2.3. CIRCUIT DIAGRAM INSTRUCTIONS, P. 3.....	3
2.4. CIRCUIT NUMBER IDENTIFICATION AND COLOR, P. 4.....	4
2.5. CIRCUIT NUMBER IDENTIFICATION AND COLOR (CONT.), P. 5.....	5
2.6. CIRCUIT NUMBER IDENTIFICATION AND COLOR (CONT.), P. 6.....	6
2.7. CIRCUIT NUMBER IDENTIFICATION AND COLOR (CONT.), P. 7.....	7
2.8. LAMP BULB CHART, P. 8.....	8
2.9. RELAY FUNCTION AND WIRING GUIDE, P. 9.....	9
2.10. SCHEMATIC SYMBOL CHART, P. 10.....	10
2.11. SCHEMATIC SYMBOL CHART (CONT.), P. 11.....	11
2.12. SCHEMATIC SYMBOL CHART (CONT.), P. 12.....	12
2.13. SCHEMATIC SYMBOL CHART (CONT.), P. 13.....	13
2.14. SCHEMATIC SYMBOL CHART (CONT.), P. 14.....	14
2.15. SCHEMATIC SYMBOL CHART (CONT.), P. 15.....	15
2.16. SCHEMATIC SYMBOL CHART (CONT.), P. 16.....	16
2.17. SCHEMATIC SYMBOL CHART (CONT.), P. 17.....	17
2.18. SCHEMATIC SYMBOL CHART (CONT.), P. 18.....	18
2.19. RE BUS WIRING LAYOUT, P. 19.....	19
2.20. ELECTRICAL FUSE PANEL, P. 20.....	20
2.21. ELECTRICAL FUSE PANEL (CONT.), P. 21.....	21
2.22. PLATFORM HARNESS FUSE PANEL, P. 22.....	22
3. 12 VOLT POWER DISTRIBUTION, GROUNDS, DATA BUS AND ELECTRICAL SYSTEM CONTROLLER (CHAPTER 3)	23
3.1. BATTERY FEED, P. 1.....	23
3.2. IGNITION FEED, P. 2.....	24
3.3. IGNITION FEED (CONT.), P. 3.....	25
3.4. IGNITION FEED (CONT.), P. 4.....	26
3.5. ACCESSORY FEED, P. 5.....	27
3.6. J1939 DATA LINK W/500K W/DEF GAUGE W/F 2017 ISL ENGINE, P. 6.....	28
3.7. J1939 DATA LINK W/500K W/ALLISON TRANSMISSION W/F 2017 ISL ENGINE, P. 7.....	29
3.8. J1939 DATA LINK W/500K W/ALLISON TRANSMISSION W/ELEX ENGINE GAUGE W/F 2017 ISL ENGINE, P. 7A.....	30
3.9. ELEX ENGINE GAUGE W/BENDIX EC-80, P. 7B.....	31
3.10. GROUND PLATFORM, P. 8.....	32
3.11. GROUND PLATFORM (CONT.), P.9.....	33
3.12. GROUND PLATFORM (CONT.), P.10.....	34
3.13. GROUND CHASSIS, P. 11.....	35
3.14. GROUND ENGINE W/ F 2017 ISL ENGINE, P. 12.....	36
3.15. GROUND ENGINE W/ F 2017 ISL ENGINE (CONT.), P. 13.....	37
3.16. DIAGNOSTIC CONNECTIONS, P. 14.....	38
3.17. DC OUTLET, P. 15.....	39
3.18. J1939 DATALINK W/DEF GAUGE LOC2 W/BENDIX EC-80 W/ WINGMAN, P. 16.....	40
3.19. J1939 DATALINK W/DEF GAUGE LOC1 W/BENDIX EC-80 W/ WINGMAN, P. 17.....	41
3.20. J1939 DATALINK W/DEF GAUGE W/BENDIX EC-80 W/ STANDARD, P. 18.....	42
3.21. J1939 DATALINK W/DEF GAUGE LOC1 W/ ZONAR, P. 19.....	43
4. CHARGING AND CRANKING SYSTEM (CHAPTER 4)	44
4.1. STARTING AND CRANKING W/ ALLISON TRANSMISSION W/F 2017 ISL ENGINE, P. 1.....	44

TABLE OF CONTENTS (CONT.)

4.2.	STARTING AND CRANKING W/ ALLISON TRANSMISSION W/F 2017 ISL ENGINE, P. 2.....	45
5.	GAUGES AND WARNING LIGHTS (CHAPTER 5).....	46
5.1.	FUEL LEVEL GAUGE, P. 1.....	46
5.2.	TRANSMISSION OIL TEMPERATURE GAUGE, P. 2.....	47
5.3.	DEF GAUGE W / AMMETER 300AMP, P. 3.....	48
5.4.	DEF GAUGE WITHOUT AMMETER 300AMP, P. 4.....	49
5.5.	ENGINE OIL PRESSURE, SPEEDOMETER, TACHOMETER, WATER TEMPERATURE, VOLTMETER, P. 5.....	50
5.6.	PARK BRAKE INDICATOR LIGHT, P. 6.....	51
5.7.	PARK BRAKE INDICATOR LIGHT W / SEAT BELT, P. 7.....	52
5.8.	PARK BRAKE W / WARNING ALARM, P. 8.....	53
5.9.	PARK BRAKE W / WARNING ALARM (CONT.), P. 9.....	54
5.10.	PARK BRAKE INTERLOCKS, P. 10.....	55
5.11.	LOW AIR PRESSURE AIR AUDIBLE ALARM, P. 11.....	56
5.12.	MALFUNCTION INDICATOR LIGHT (MIL) WITHOUT BENDIX EC-80, P. 12.....	57
5.13.	MALFUNCTION INDICATOR LIGHT (MIL) W/ BENDIX EC-80, P. 12A.....	58
5.14.	WATER IN FUEL LIGHT, P. 13.....	59
5.15.	REMOTE VOLTAGE SENSE, P. 14.....	60
5.16.	FUEL FILTER CUMMINS STANDARD, P. 15.....	61
5.17.	FUEL HEATER FRONT OF FUEL TANK, P. 16.....	62
6.	ENGINE AND ENGINE SYSTEMS (CHAPTER 6).....	63
6.1.	ELECTRONICS ENGINE CONTROL W/ F 2017 ISL ENGINE, P. 1.....	63
6.2.	ELECTRONICS ENGINE CONTROL W/ F 2017 ISL ENGINE (CONT.), P. 2.....	64
6.3.	ELECTRONICS ENGINE CONTROL W/ F 2017 ISL ENGINE (CONT.), P. 3.....	65
6.4.	ELECTRONICS ENGINE CONTROL W/ F 2017 ISL ENGINE (CONT.), P. 4.....	66
6.5.	ACCELERATOR PEDAL W/BENDIX EC-80, P. 4A.....	67
6.6.	DEF AND AFTERTREATMENT W/ F 2017 ISL ENGINE, P. 5.....	68
6.7.	DEF AND AFTERTREATMENT W/ F 2017 ISL ENGINE (CONT.), P. 6.....	69
6.8.	DEF AND AFTERTREATMENT W/ F 2017 ISL ENGINE (CONT.), P. 7.....	70
6.9.	DEF AND AFTERTREATMENT W/ F 2017 ISL ENGINE (CONT.), P. 8.....	71
6.10.	DEF AND AFTERTREATMENT W/ F 2017 ISL ENGINE (CONT.), P. 9.....	72
6.11.	PDM PRODUCT GRAPHICS W/ F 2017 ISL ENGINE, P. 10.....	73
6.12.	POWER DISTRIBUTION CONTROL MODULE, P. 11.....	74
6.13.	POWER DISTRIBUTION CONTROL MODULE (CONT.), P. 12.....	75
6.14.	POWER DISTRIBUTION CONTROL MODULE (CONT.), P. 13.....	76
7.	CHASSIS SYSTEM (CHAPTER 7).....	77
7.1.	ELECTRIC HORN, P. 1.....	77
7.2.	AIR DRYER AND DRAIN VALVE WIRING, P. 2.....	78
7.3.	TRACTION AIDS - TRACTION SANDERS, P. 3.....	79
7.4.	TRACTION AID - SPOT CHAIN, P. 4.....	80
7.5.	STANDARD SINGLE WIPER SWITCH WIRING, P. 5.....	81
7.6.	STANDARD SINGLE WIPER SWITCH WIRING (CONT.), P. 6.....	82
7.7.	DUAL WIPER SWITCH WIRING, P. 7.....	83
8.	TRANSMISSION AND TRANSMISSION SYSTEMS (CHAPTER 8).....	84
8.1.	ALLISON TRANSMISSION W/ F 2017 ISL ENGINE, P. 1.....	84
8.2.	ALLISON TRANSMISSION W/ F 2017 ISL ENGINE (CONT.), P. 2.....	85
8.3.	ALLISON TRANSMISSION W/ F 2017 ISL ENGINE (CONT.), P. 3.....	86

TABLE OF CONTENTS (CONT.)

8.4.	ALLISON TRANSMISSION W/ F 2017 ISL ENGINE (CONT.), P. 4.....	87
8.5.	ALLISON TRANSMISSION 3000 W/ RETARDER W/ F 2017 ISL ENGINE, P. 5.....	88
8.6.	ALLISON TRANSMISSION 3000 W/ RETARDER W/ F 2017 ISL ENGINE (CONT.), P. 6.....	89
8.7.	ALLISON TRANSMISSION 3000 W/ RETARDER W/ F 2017 ISL ENGINE (CONT.), P. 6A.....	90
9.	BRAKE SYSTEM (CHAPTER 9).....	91
9.1.	BENDIX AIR BRAKE ABS W / CHASSIS MOUNTED MODULE, P. 1.....	91
9.2.	BENDIX AIR BRAKE ABS W / CHASSIS MOUNTED MODULE (CONT.), P. 2.....	92
9.3.	BENDIX AIR BRAKE ABS W / CHASSIS MOUNTED MODULE (CONT.), P. 3.....	93
9.4.	CRUISE CONTROL AND ELECTRONIC HAND THROTTLE, P. 4.....	94
9.5.	EXHAUST AFTERTREATMENT CONTROL SYSTEM, P. 5.....	95
9.6.	EXHAUST BRAKE, P. 6.....	96
9.7.	COMPRESSION BRAKES, P. 7.....	97
9.8.	BENDIX AIR BRAKE ABS W/BENDIX EC-80, P. 8.....	98
9.9.	BENDIX AIR BRAKE ABS TRACTION CONTROL W/BENDIX EC-80, P. 9.....	99
9.10.	BENDIX AIR BRAKE ABS W/ESP 45/4M W/4 CH W/BENDIX EC-80, P. 10.....	100
9.11.	BENDIX AIR BRAKE ABS W/ESP 45/4M W/4 CH W/BENDIX EC-80 (CONT.), P. 11.....	101
9.12.	BENDIX WINGMAN W/BENDIX EC-80, P. 12.....	102
9.13.	BENDIX WINGMAN W/BENDIX EC-80 (CONT.), P. 13.....	103
9.14.	BENDIX FUSION OPTIONS, P. 14.....	104
9.15.	BENDIX FUSION OPTIONS (CONT.), P. 15.....	105
9.16.	IGNITION SPLICE CONNECTIONS, P. 16.....	106
10.	HEATER / AIR CONDITIONING (CHAPTER 10).....	107
10.1.	ESPAR COOLANT HEATER W / WHITE TIMER, P. 1.....	107
10.2.	ESPAR COOLANT HEATER W / 7 DAY TIMER W / DIAGNOSTIC, P. 2.....	108
10.3.	7 DAY TIMER W/ ESPAR HEATER W / BENDIX EC-80, P. 3.....	109
10.4.	ESPAR COOLANT HEATER W / WHITE TIMER W/ BENDIX EC-80, P. 4.....	110
11.	INTENTIONALLY LEFT BLANK (CHAPTER 11).....	111
11.1.	INTENTIONALLY LEFT BLANK, P. 1.....	111
12.	CONNECTOR COMPOSITES (CHAPTER 12).....	112
12.1.	CONNECTOR BODY COMPOSITES (1), P. 1.....	112
12.2.	CONNECTOR BODY COMPOSITES (1), P. 2.....	113
12.3.	CONNECTOR BODY COMPOSITES (1C, 1F), P. 2A.....	114
12.4.	CONNECTOR BODY COMPOSITES (RD1, 2A, 2F), P. 3.....	115
12.5.	CONNECTOR BODY COMPOSITES (2M, RD2), P. 4.....	116
12.6.	CONNECTOR BODY COMPOSITES (RD3, RD4, RD5, RD7, 4M), P. 5.....	117
12.7.	CONNECTOR BODY COMPOSITES (8M, 9, 10, 11M), P. 6.....	118
12.8.	CONNECTOR BODY COMPOSITES (12M, 13M, 22M), P. 7.....	119
12.9.	CONNECTOR BODY COMPOSITES (23M, 35X3, 37F), P. 8.....	120
12.10.	CONNECTOR BODY COMPOSITES (50, 51, 52, 52A), P. 9.....	121
12.11.	CONNECTOR BODY COMPOSITES (78M, 79M, 162, 168), P. 10.....	122
12.12.	CONNECTOR BODY COMPOSITES (168A, 211M, 211N, 212M), P. 11.....	123
12.13.	CONNECTOR BODY COMPOSITES (288X1, 289, 290, 291, 292), P. 12.....	124
12.14.	CONNECTOR BODY COMPOSITES (297, 299, 350X2, 351, 352, 353, 354), P. 13.....	125
12.15.	CONNECTOR BODY COMPOSITES (382M, 391, 392, 500), P. 14.....	126
12.16.	CONNECTOR BODY COMPOSITES (523), P. 15.....	127
12.17.	CONNECTOR BODY COMPOSITES (600, 674), P. 15A.....	128
12.18.	CONNECTOR BODY COMPOSITES (674, 675, 676, 677, 678), P. 16.....	129

TABLE OF CONTENTS (CONT.)

12.19. CONNECTOR BODY COMPOSITES (679), P. 17.....	130
12.20. CONNECTOR BODY COMPOSITES (680, 681, 691, 898), P. 18.....	131
12.21. CONNECTOR BODY COMPOSITES (899, 922, 922A, 925), P. 19.....	132
12.22. CONNECTOR BODY COMPOSITES (926, 992, 995, 996M), P. 20.....	133
12.23. CONNECTOR BODY COMPOSITES (997, 998, 1003, 1004), P. 21.....	134
12.24. CONNECTOR BODY COMPOSITES (1008, 1030), P. 22.....	135
12.25. CONNECTOR BODY COMPOSITES (1030), P. 23.....	136
12.26. CONNECTOR BODY COMPOSITES (1030P, 1031, 1032), P. 24.....	137
12.27. CONNECTOR BODY COMPOSITES (1033, 1034, 1036, 1037), P. 25.....	138
12.28. CONNECTOR BODY COMPOSITES (1038, 1040, 1041), P. 26.....	139
12.29. CONNECTOR BODY COMPOSITES (1042A, 1042B, 1043A, 1050), P. 27.....	140
12.30. CONNECTOR BODY COMPOSITES (1062, 1063, 1065), P. 28.....	141
12.31. CONNECTOR BODY COMPOSITES (1100, 1111A, 1111M, 1135, 1136), P. 29.....	142
12.32. CONNECTOR BODY COMPOSITES (1137, 1138, 1139, 1139A, 1139B), P. 30.....	143
12.33. CONNECTOR BODY COMPOSITES (1141, 1142, 1143A, 1143B), P. 31.....	144
12.34. CONNECTOR BODY COMPOSITES (1149, 1150, 1150B), P. 32.....	145
12.35. CONNECTOR BODY COMPOSITES (1151, 1151A, 1153, 1205), P. 33.....	146
12.36. CONNECTOR BODY COMPOSITES (1206, 1272, 1600), P. 34.....	147
12.37. CONNECTOR BODY COMPOSITES (1601, 1602), P. 35.....	148
12.38. CONNECTOR BODY COMPOSITES (1604, 1606, 1650), P. 36.....	149
12.39. CONNECTOR BODY COMPOSITES (1700), P. 36A.....	150
12.40. CONNECTOR BODY COMPOSITES (1707M, 1800M, 1850, 1908, 1952, 2233), P. 37.....	151
12.41. CONNECTOR BODY COMPOSITES (3117, 3118, 3322), P. 38.....	152
12.42. CONNECTOR BODY COMPOSITES (3344, 4009, 4433), P. 39.....	153
12.43. CONNECTOR BODY COMPOSITES (4800, 5263C, 5263F, 5263M, 5556M), P. 40.....	154
12.44. CONNECTOR BODY COMPOSITES (6000), P. 41.....	155
12.45. CONNECTOR BODY COMPOSITES (6010, 6012, 6120, 6200), P. 42.....	156
12.46. CONNECTOR BODY COMPOSITES (6308, 6316M, 6348F, 6348M), P. 43.....	157
12.47. CONNECTOR BODY COMPOSITES (6400, 6402, 6500, 6665M, 6704), P. 44.....	158
12.48. CONNECTOR BODY COMPOSITES (6741, 6747, 7010), P. 45.....	159
12.49. CONNECTOR BODY COMPOSITES (7150), P. 46.....	160
12.50. CONNECTOR BODY COMPOSITES (7205F, 7206F, 7207F), P. 47.....	161
12.51. CONNECTOR BODY COMPOSITES (7250, 7306F, 7603), P. 48.....	162
12.52. CONNECTOR BODY COMPOSITES (7777M, 7980), P. 48A.....	163
12.53. CONNECTOR BODY COMPOSITES (7981, 7982, 7983, 8500, 8600), P. 49.....	164
12.54. CONNECTOR BODY COMPOSITES (8721, 8800, 9001, 9003, 9003A, 9261), P. 50.....	165
12.55. CONNECTOR BODY COMPOSITES (9550, 9850), P. 51.....	166
12.56. CONNECTOR BODY COMPOSITES (9851, 9900), P. 52.....	167
12.57. CONNECTOR BODY COMPOSITES (9900A, 9901, 9902, 9902A), P. 53.....	168
12.58. CONNECTOR BODY COMPOSITES (9903, 9904, 9996, 9999, 9999M), P. 54.....	169
12.59. CONNECTOR BODY COMPOSITES (10000), P. 55.....	170
12.60. CONNECTOR BODY COMPOSITES (10003, 10003L, 10004), P. 56.....	171
12.61. CONNECTOR BODY COMPOSITES (10200), P. 57.....	172
12.62. CONNECTOR BODY COMPOSITES (10201, 10202), P. 58.....	173
12.63. CONNECTOR BODY COMPOSITES (10203, 10204), P. 59.....	174
12.64. CONNECTOR BODY COMPOSITES (10207A, 10208), P. 60.....	175
12.65. CONNECTOR BODY COMPOSITES (10210), P. 61.....	176
12.66. CONNECTOR BODY COMPOSITES (10212, 10213), P. 62.....	177
12.67. CONNECTOR BODY COMPOSITES (10214D, 10214L, 10215, 10216), P. 63.....	178
12.68. CONNECTOR BODY COMPOSITES (10217, 10218, 10219), P. 64.....	179
12.69. CONNECTOR BODY COMPOSITES (10220, 10221, 10224), P. 65.....	180

TABLE OF CONTENTS (CONT.)

12.70. CONNECTOR BODY COMPOSITES (10226), P. 66.....	181
12.71. CONNECTOR BODY COMPOSITES (10227, 10228), P. 67.....	182
12.72. CONNECTOR BODY COMPOSITES (10229, 10230A), P. 68.....	183
12.73. CONNECTOR BODY COMPOSITES (10230B, 10231A), P. 69.....	184
12.74. CONNECTOR BODY COMPOSITES (10231B, 10232A, 10232B), P. 70.....	185
12.75. CONNECTOR BODY COMPOSITES (10233A, 10233B, 10234A), P. 71.....	186
12.76. CONNECTOR BODY COMPOSITES (10234B, 10235, 10236), P. 72.....	187
12.77. CONNECTOR BODY COMPOSITES (10237, 10238, 10239), P. 73.....	188
12.78. CONNECTOR BODY COMPOSITES (10240, 10241A, 10241B), P. 74.....	189
12.79. CONNECTOR BODY COMPOSITES (10242, 10243, 10243B), P. 75.....	190
12.80. CONNECTOR BODY COMPOSITES (10244, 10244B, 10245), P. 76.....	191
12.81. CONNECTOR BODY COMPOSITES (10245B, 10246, 10246B), P. 77.....	192
12.82. CONNECTOR BODY COMPOSITES (10247, 10248, 10249, 10250), P. 78.....	193
12.83. CONNECTOR BODY COMPOSITES (10252, 10253, 10254, 10255), P. 79.....	194
12.84. CONNECTOR BODY COMPOSITES (10256, 10257, 10259), P. 80.....	195
12.85. CONNECTOR BODY COMPOSITES (10264, 10267, 10268), P. 81.....	196
12.86. CONNECTOR BODY COMPOSITES (10269, 10270A, 10270B), P. 82.....	197
12.87. CONNECTOR BODY COMPOSITES (10275), P. 83.....	198
12.88. CONNECTOR BODY COMPOSITES (10276, 10277, 10278, 10280), P. 84.....	199
12.89. CONNECTOR BODY COMPOSITES (10281, 10282, 10284, 10285), P. 85.....	200
12.90. CONNECTOR BODY COMPOSITES (10286, 10290, 10291), P. 86.....	201
12.91. CONNECTOR BODY COMPOSITES (10292, 10293A, 10293B, 10294), P. 87.....	202
12.92. CONNECTOR BODY COMPOSITES (10295, 10297, 10299), P. 88.....	203
12.93. CONNECTOR BODY COMPOSITES (10301), P. 89.....	204
12.94. CONNECTOR BODY COMPOSITES (10302), P. 90.....	205
12.95. CONNECTOR BODY COMPOSITES (10303), P. 91.....	206
12.96. CONNECTOR BODY COMPOSITES (10304), P. 92.....	207
12.97. CONNECTOR BODY COMPOSITES (10305), P. 93.....	208
12.98. CONNECTOR BODY COMPOSITES (10306), P. 94.....	209
12.99. CONNECTOR BODY COMPOSITES (10307), P. 95.....	210
12.100. CONNECTOR BODY COMPOSITES (10308), P. 96.....	211
12.101. CONNECTOR BODY COMPOSITES (10309), P. 97.....	212
12.102. CONNECTOR BODY COMPOSITES (10309) (CONT.), P. 98.....	213
12.103. CONNECTOR BODY COMPOSITES (10310), P. 99.....	214
12.104. CONNECTOR BODY COMPOSITES (10311), P. 100.....	215
12.105. CONNECTOR BODY COMPOSITES (10312, 10314), P. 101.....	216
12.106. CONNECTOR BODY COMPOSITES (10315, 10316, 10317, 10318) P. 102.....	217
12.107. CONNECTOR BODY COMPOSITES (10319, 10320, 10321, 10322), P. 103.....	218
12.108. CONNECTOR BODY COMPOSITES (10323, 10326), P. 104.....	219
12.109. CONNECTOR BODY COMPOSITES (10327, 10328), P. 105.....	220
12.110. CONNECTOR BODY COMPOSITES (10329, 10330), P. 106.....	221
12.111. CONNECTOR BODY COMPOSITES (10331, 10332, 10333), P. 107.....	222
12.112. CONNECTOR BODY COMPOSITES (10334, 10335), P. 108.....	223
12.113. CONNECTOR BODY COMPOSITES (10336, 10337), P. 109.....	224
12.114. CONNECTOR BODY COMPOSITES (10340F, 10340M, 10341, 10344A), P. 110.....	225
12.115. CONNECTOR BODY COMPOSITES (10344B, 10345, 10346), P. 111.....	226
12.116. CONNECTOR BODY COMPOSITES (10348, 10351, 10352), P. 112.....	227
12.117. CONNECTOR BODY COMPOSITES, (10353, 10354, 10358), P. 113.....	228
12.118. CONNECTOR BODY COMPOSITES (10360, 10365, 10368, 10398), P. 114.....	229
12.119. CONNECTOR BODY COMPOSITES (10400), P. 115.....	230
12.120. CONNECTOR BODY COMPOSITES (10401), P. 116.....	231

TABLE OF CONTENTS (CONT.)

12.121.CONNECTOR BODY COMPOSITES (10513, 10751, 10751A, 10766), P. 117.....	232
12.122.CONNECTOR BODY COMPOSITES (11000), P. 118.....	233
12.123.CONNECTOR BODY COMPOSITES (11632, 11633), P. 119.....	234

INSTRUCTIONS AND CHARTS (CHAPTER 2)

2.1. ABBREVIATIONS, P. 1

NAVISTAR, INC		ELECTRICAL CIRCUIT DIAGRAM		CHAPTER 2	
THIS PRINT IS PROVIDED ON A RESTRICTED BASIS AND IS NOT TO BE USED IN ANY WAY DETRIMENTAL TO THE INTEREST OF NAVISTAR, INC.		ABBREVIATIONS			
ABBREVIATION	DESCRIPTION	ABBREVIATION	DESCRIPTION	ABBREVIATION	DESCRIPTION
ACCESS	ACCESSORY	CUR	CURRENT	PRESS	PRESSURE
AC	AIR CONDITIONING	DPNL	DASHBOARD	RAD	RADIO
AIR CLNR	AIR CLEANER	DFTR	DEFLECTOR	RR	REAR
ALT	ALTERNATOR	DFR	DEFROSTER	RLY	RELAY
AC	ALTERNATING CURRENT	DEG	DEGREE	RES	RESISTOR
AFTR	AFTERTREATMENT	DIAG	DIAGRAM	R	RIGHT
AMM	AMMETER	DSL	DIESEL	RTR	ROTOR
AMP	AMPERE	DIFF	DIFFERENTIAL	SNSR	SENSOR
AMP HR	AMPERE HOUR	DIMR	DIMMER	SHLD	SHIELD
AMPL	AMPLIFIER	ELEC	ELECTRICAL	SHFT	SHIFTER
ARM	ARMATURE	ELEX	ELECTRONICS	SLPR	SLEEPER
ARSR	ARRESTER	ENG	ENGINE	SLV	SLEEVE
ASSY	ASSEMBLY	EXH	EXHAUST	SPKR	SPEAKER
AUX	AUXILIARY	FL	FLUID	SPR	SPRING
B/U	BACK-UP	FWD	FORWARD	STD	STANDARD
BTRY	BATTERY	FR	FRONT	STRG	STEERING
BM	BENCHMARKING	FREQ	FREQUENCY	STLITE	SATELLITE
BLK	BLOCK	GA	GAUGE	SUNSH	SUNSHADE
BOOS	BOOSTER	GEN	GENERATOR	SW	SWITCH
BOT	BOTTOM	GND	GROUND	SYS	SYSTEM
BK	BRAKE	HARN	HARNESS	TACH	TACHOMETER
BRKR	BREAKER	HDLP	HEADLAMP	TEMP	TEMPERATURE
BRTHR	BREATHER	HTD	HEATED	TERM	TERMINAL
BRI	BRIGHT	HT TR	HEAT TREAT	THROT	THROTTLE
BUZ	BUZZER	HTR	HEATER	THRU	THROUGH
CA	CABLE	HP	HORSEPOWER	TRLR	TRAILER
CD	CANDELA	HYD	HYDRAULIC	XDCR	TRANSDUCER
CP	CANDLEPOWER	ID	IDENTIFICATION	XFER	TRANSFER
CAP	CAPACITOR	IGN	IGNITION	XFMR	TRANSFORMER
CAT	CATERPILLAR	ILLUM	ILLUMINATION	XSTR	TRANSISTOR
CHAS	CHASSIS	IND	INDICATOR	XMSN	TRANSMISSION
CH	CHOKE	INST	INSTRUMENT	XMTR	TRANSMITTER
CIRC	CIRCUIT	INT	INTERMITTENT	TRK	TRUCK
CLK	CLOCK	L	LEFT	UPR	UPPER
CW	CLOCKWISE	LT	LIGHT	VLV	VALVE
CLSTR	CLUSTER	LTR	LIGHTER	VERT	VERTICAL
CL	CLUTCH	LWR	LOWER	VM	VOLTMETER
COL	COLUMN	MAG	MAGNET	VOL	VOLUME
COMM	COMMUTATOR	MOD	MODULATOR	WSHR	WASHER
CMPNT	COMPONENT	MDL	MODULE	WHL	WHEEL
CPRSR	COMPRESSOR	MOT	MOTOR	WDO	WINDOW
CONN	CONNECT	MTD	MOUNTED	WSHLD	WINDSHIELD
CONT	CONTINUED	NEG	NEGATIVE	WPR	WIPER
CSL	CONSOLE	N/	NOT WITH	W/	WITH
CONT	CONTACT	NO.	NUMBER	W/O	WITHOUT
CONT	CONTROL	PASS	PASSENGER		
CONV	CONVERTER	POSN	POSITION		
CLR	COOLER	POS	POSITIVE		
CTSY	COURTESY	POT	POTENTIOMETER		
CRUS	CRUISE	PWR	POWER		

CHK	DATE	CHANGE	REV	REFERENCE	DRAWN	NAME
MJV0863	20JUN17	INITIAL RELEASE.	A	93784R	MJV0863	CIRCUIT DIAGRAM, RE BUS - CHASSIS
					RELEASE NO.	DATE
					93784R	20MAR17
					PART NO.	SHEET
					AE08085133	001

Figure 1 Abbreviations

2.2. ACRONYMS, P. 2

NAVISTAR, INC				ELECTRICAL CIRCUIT DIAGRAM				CHAPTER 2																																																																																																																																									
THIS PRINT IS PROVIDED ON A RESTRICTED BASIS AND IS NOT TO BE USED IN ANY WAY DETRIMENTAL TO THE INTEREST OF NAVISTAR, INC.				ACRONYMS																																																																																																																																													
<table border="1" style="width: 100%; border-collapse: collapse;"> <thead> <tr> <th style="width: 50%;">DESCRIPTION</th> <th style="width: 50%;">ACRONYM</th> </tr> </thead> <tbody> <tr><td>ANTILOCK BRAKING SYSTEM</td><td>ABS</td></tr> <tr><td>ANTENNA COMMUNICATION UNIT</td><td>ACU</td></tr> <tr><td>ALTERNATING CURRENT</td><td>AC</td></tr> <tr><td>AXLE TO BACK OF CAB</td><td>AC</td></tr> <tr><td>AXLE TO FRAME</td><td>AF</td></tr> <tr><td>ACCELERATOR PEDAL MODULE</td><td>APM</td></tr> <tr><td>ACCELERATOR POSITION SENSOR</td><td>APS</td></tr> <tr><td>AUXILIARY POWER UNIT</td><td>APU</td></tr> <tr><td>AUTOMATIC TRACTION CONTROL</td><td>ATC</td></tr> <tr><td>AUDIO VIDEO INTERFACE</td><td>AVI</td></tr> <tr><td>BRAKE HORSEPOWER</td><td>BHP</td></tr> <tr><td>BACK OF CAB</td><td>BOC</td></tr> <tr><td>CITIZEN BAND</td><td>CB</td></tr> <tr><td>GOLD CRANKING AMPERES</td><td>CCA</td></tr> <tr><td>CLEAN POWER ELECTRICAL CONNECTOR</td><td>CEC</td></tr> <tr><td>CAB OVER ENGINE</td><td>COE</td></tr> <tr><td>DIRECT CURRENT</td><td>DC</td></tr> <tr><td>DRIVER CONTROL MODULE</td><td>DCM</td></tr> <tr><td>DIGITAL DATA LINK</td><td>DDL</td></tr> <tr><td>DIESEL OXIDATION CATALYST INLET TEMPERATURE</td><td>DOCT</td></tr> <tr><td>DIESEL PARTICULATE FILTER</td><td>DPF</td></tr> <tr><td>DIESEL TURBOCHARGED</td><td>DT</td></tr> <tr><td>DAY TIME RUNNING LIGHTS</td><td>DTRL</td></tr> <tr><td>ELECTRONIC CONTROL MODULE</td><td>ECM</td></tr> <tr><td>ELECTRONIC CONTROL UNIT</td><td>ECU</td></tr> <tr><td>EXHAUST GAS RECIRCULATION</td><td>EGR</td></tr> <tr><td>EXHAUST GAS TEMPERATURE</td><td>EGT</td></tr> <tr><td>ELECTRO MAGNETIC INTERFACE</td><td>EMI</td></tr> <tr><td>END OF FRAME</td><td>EOF</td></tr> <tr><td>ELECTRIC TRAILER BRAKE</td><td>ETB</td></tr> <tr><td>FRONT AXLE</td><td>FA</td></tr> <tr><td>FRONT END</td><td>FE</td></tr> <tr><td>FRONT OF DASH</td><td>FOD</td></tr> <tr><td>FULL POWER BRAKE</td><td>FPB</td></tr> <tr><td>GLOBAL POSITIONING SYSTEM</td><td>GPS</td></tr> <tr><td>HYDRAULIC CONTROL UNIT</td><td>HCU</td></tr> <tr><td>HEAVY DUTY</td><td>HD</td></tr> <tr><td>HEAVY DUTY DIESEL</td><td>HDD</td></tr> <tr><td>HIGH PERFORMANCE TRUCK</td><td>HPT</td></tr> <tr><td>HEATING, VENTILATION, AND AIR CONDITIONING</td><td>HVAC</td></tr> </tbody> </table>						DESCRIPTION	ACRONYM	ANTILOCK BRAKING SYSTEM	ABS	ANTENNA COMMUNICATION UNIT	ACU	ALTERNATING CURRENT	AC	AXLE TO BACK OF CAB	AC	AXLE TO FRAME	AF	ACCELERATOR PEDAL MODULE	APM	ACCELERATOR POSITION SENSOR	APS	AUXILIARY POWER UNIT	APU	AUTOMATIC TRACTION CONTROL	ATC	AUDIO VIDEO INTERFACE	AVI	BRAKE HORSEPOWER	BHP	BACK OF CAB	BOC	CITIZEN BAND	CB	GOLD CRANKING AMPERES	CCA	CLEAN POWER ELECTRICAL CONNECTOR	CEC	CAB OVER ENGINE	COE	DIRECT CURRENT	DC	DRIVER CONTROL MODULE	DCM	DIGITAL DATA LINK	DDL	DIESEL OXIDATION CATALYST INLET TEMPERATURE	DOCT	DIESEL PARTICULATE FILTER	DPF	DIESEL TURBOCHARGED	DT	DAY TIME RUNNING LIGHTS	DTRL	ELECTRONIC CONTROL MODULE	ECM	ELECTRONIC CONTROL UNIT	ECU	EXHAUST GAS RECIRCULATION	EGR	EXHAUST GAS TEMPERATURE	EGT	ELECTRO MAGNETIC INTERFACE	EMI	END OF FRAME	EOF	ELECTRIC TRAILER BRAKE	ETB	FRONT AXLE	FA	FRONT END	FE	FRONT OF DASH	FOD	FULL POWER BRAKE	FPB	GLOBAL POSITIONING SYSTEM	GPS	HYDRAULIC CONTROL UNIT	HCU	HEAVY DUTY	HD	HEAVY DUTY DIESEL	HDD	HIGH PERFORMANCE TRUCK	HPT	HEATING, VENTILATION, AND AIR CONDITIONING	HVAC	<table border="1" style="width: 100%; border-collapse: collapse;"> <thead> <tr> <th style="width: 50%;">DESCRIPTION</th> <th style="width: 50%;">ACRONYM</th> </tr> </thead> <tbody> <tr><td>INJECTOR DRIVE MODULE</td><td>IDM</td></tr> <tr><td>INPUT/OUTPUT</td><td>I/O</td></tr> <tr><td>INTEGRATED MOBILE COMMUNICATIONS TERMINAL</td><td>IMCT</td></tr> <tr><td>INSTRUMENT PANEL</td><td>I/P</td></tr> <tr><td>INDEPENDENT POWER TAKE-OFF</td><td>IPTO</td></tr> <tr><td>LIGHT COMMERCIAL TRANSMISSION</td><td>LCT</td></tr> <tr><td>MEDIUM DUTY</td><td>MD</td></tr> <tr><td>MALFUNCTION INDICATION LAMP</td><td>MIL</td></tr> <tr><td>MULTIPLEX SWITCH MODULE</td><td>MSM</td></tr> <tr><td>PYROMETER AMMETER MODULE</td><td>PAM</td></tr> <tr><td>PROGRAMMABLE LOGIC CONTROLLER</td><td>PLC</td></tr> <tr><td>POWER TAKE-OFF</td><td>PTO</td></tr> <tr><td>PULSE WIDTH MODULATION</td><td>PWM</td></tr> <tr><td>REAR AXLE</td><td>RA</td></tr> <tr><td>RADIO FREQUENCY</td><td>RF</td></tr> <tr><td>ROLL STABILITY PROGRAMM</td><td>RSP</td></tr> <tr><td>SEVERE SERVICE</td><td>SS</td></tr> <tr><td>TRANSMISSION CONTROL MODULE</td><td>TCM</td></tr> <tr><td>TERRESTRIAL COMMUNICATION UNIT</td><td>TCU</td></tr> <tr><td>TERRESTRIAL MOBILE COMMUNICATIONS TERMINAL</td><td>TMCT</td></tr> <tr><td>THERMAL OVERCRANK PROTECTION</td><td>TOCP</td></tr> <tr><td>THROTTLE POSITION SENSOR</td><td>TPS</td></tr> <tr><td>ZERO VOLT REFERENCE</td><td>ZVR</td></tr> <tr><td>VEHICLE INTERFACE MODULE</td><td>VIM</td></tr> <tr><td>TRANSMISSION COUNTRONL MODULE</td><td>TCM</td></tr> </tbody> </table>						DESCRIPTION	ACRONYM	INJECTOR DRIVE MODULE	IDM	INPUT/OUTPUT	I/O	INTEGRATED MOBILE COMMUNICATIONS TERMINAL	IMCT	INSTRUMENT PANEL	I/P	INDEPENDENT POWER TAKE-OFF	IPTO	LIGHT COMMERCIAL TRANSMISSION	LCT	MEDIUM DUTY	MD	MALFUNCTION INDICATION LAMP	MIL	MULTIPLEX SWITCH MODULE	MSM	PYROMETER AMMETER MODULE	PAM	PROGRAMMABLE LOGIC CONTROLLER	PLC	POWER TAKE-OFF	PTO	PULSE WIDTH MODULATION	PWM	REAR AXLE	RA	RADIO FREQUENCY	RF	ROLL STABILITY PROGRAMM	RSP	SEVERE SERVICE	SS	TRANSMISSION CONTROL MODULE	TCM	TERRESTRIAL COMMUNICATION UNIT	TCU	TERRESTRIAL MOBILE COMMUNICATIONS TERMINAL	TMCT	THERMAL OVERCRANK PROTECTION	TOCP	THROTTLE POSITION SENSOR	TPS	ZERO VOLT REFERENCE	ZVR	VEHICLE INTERFACE MODULE	VIM	TRANSMISSION COUNTRONL MODULE	TCM
DESCRIPTION	ACRONYM																																																																																																																																																
ANTILOCK BRAKING SYSTEM	ABS																																																																																																																																																
ANTENNA COMMUNICATION UNIT	ACU																																																																																																																																																
ALTERNATING CURRENT	AC																																																																																																																																																
AXLE TO BACK OF CAB	AC																																																																																																																																																
AXLE TO FRAME	AF																																																																																																																																																
ACCELERATOR PEDAL MODULE	APM																																																																																																																																																
ACCELERATOR POSITION SENSOR	APS																																																																																																																																																
AUXILIARY POWER UNIT	APU																																																																																																																																																
AUTOMATIC TRACTION CONTROL	ATC																																																																																																																																																
AUDIO VIDEO INTERFACE	AVI																																																																																																																																																
BRAKE HORSEPOWER	BHP																																																																																																																																																
BACK OF CAB	BOC																																																																																																																																																
CITIZEN BAND	CB																																																																																																																																																
GOLD CRANKING AMPERES	CCA																																																																																																																																																
CLEAN POWER ELECTRICAL CONNECTOR	CEC																																																																																																																																																
CAB OVER ENGINE	COE																																																																																																																																																
DIRECT CURRENT	DC																																																																																																																																																
DRIVER CONTROL MODULE	DCM																																																																																																																																																
DIGITAL DATA LINK	DDL																																																																																																																																																
DIESEL OXIDATION CATALYST INLET TEMPERATURE	DOCT																																																																																																																																																
DIESEL PARTICULATE FILTER	DPF																																																																																																																																																
DIESEL TURBOCHARGED	DT																																																																																																																																																
DAY TIME RUNNING LIGHTS	DTRL																																																																																																																																																
ELECTRONIC CONTROL MODULE	ECM																																																																																																																																																
ELECTRONIC CONTROL UNIT	ECU																																																																																																																																																
EXHAUST GAS RECIRCULATION	EGR																																																																																																																																																
EXHAUST GAS TEMPERATURE	EGT																																																																																																																																																
ELECTRO MAGNETIC INTERFACE	EMI																																																																																																																																																
END OF FRAME	EOF																																																																																																																																																
ELECTRIC TRAILER BRAKE	ETB																																																																																																																																																
FRONT AXLE	FA																																																																																																																																																
FRONT END	FE																																																																																																																																																
FRONT OF DASH	FOD																																																																																																																																																
FULL POWER BRAKE	FPB																																																																																																																																																
GLOBAL POSITIONING SYSTEM	GPS																																																																																																																																																
HYDRAULIC CONTROL UNIT	HCU																																																																																																																																																
HEAVY DUTY	HD																																																																																																																																																
HEAVY DUTY DIESEL	HDD																																																																																																																																																
HIGH PERFORMANCE TRUCK	HPT																																																																																																																																																
HEATING, VENTILATION, AND AIR CONDITIONING	HVAC																																																																																																																																																
DESCRIPTION	ACRONYM																																																																																																																																																
INJECTOR DRIVE MODULE	IDM																																																																																																																																																
INPUT/OUTPUT	I/O																																																																																																																																																
INTEGRATED MOBILE COMMUNICATIONS TERMINAL	IMCT																																																																																																																																																
INSTRUMENT PANEL	I/P																																																																																																																																																
INDEPENDENT POWER TAKE-OFF	IPTO																																																																																																																																																
LIGHT COMMERCIAL TRANSMISSION	LCT																																																																																																																																																
MEDIUM DUTY	MD																																																																																																																																																
MALFUNCTION INDICATION LAMP	MIL																																																																																																																																																
MULTIPLEX SWITCH MODULE	MSM																																																																																																																																																
PYROMETER AMMETER MODULE	PAM																																																																																																																																																
PROGRAMMABLE LOGIC CONTROLLER	PLC																																																																																																																																																
POWER TAKE-OFF	PTO																																																																																																																																																
PULSE WIDTH MODULATION	PWM																																																																																																																																																
REAR AXLE	RA																																																																																																																																																
RADIO FREQUENCY	RF																																																																																																																																																
ROLL STABILITY PROGRAMM	RSP																																																																																																																																																
SEVERE SERVICE	SS																																																																																																																																																
TRANSMISSION CONTROL MODULE	TCM																																																																																																																																																
TERRESTRIAL COMMUNICATION UNIT	TCU																																																																																																																																																
TERRESTRIAL MOBILE COMMUNICATIONS TERMINAL	TMCT																																																																																																																																																
THERMAL OVERCRANK PROTECTION	TOCP																																																																																																																																																
THROTTLE POSITION SENSOR	TPS																																																																																																																																																
ZERO VOLT REFERENCE	ZVR																																																																																																																																																
VEHICLE INTERFACE MODULE	VIM																																																																																																																																																
TRANSMISSION COUNTRONL MODULE	TCM																																																																																																																																																
CHK	DATE	CHANGE	REV	REFERENCE	DRAWN	NAME																																																																																																																																											
MJV0	28 JUN 17	INITIAL RELEASE.	A	93784R	MJV0863	CIRCUIT DIAGRAM, RE BUS - CHASSIS																																																																																																																																											
					RELEASE NO.	DATE	PART NO.	SHEET																																																																																																																																									
					93784R	20MAR17	AE08085133	002																																																																																																																																									

Figure 2 Acronyms

2.3. CIRCUIT DIAGRAM INSTRUCTIONS, P. 3

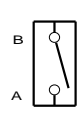
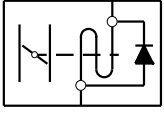
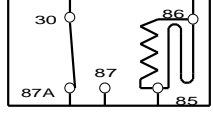
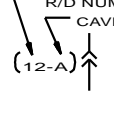
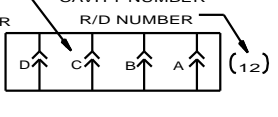
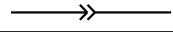
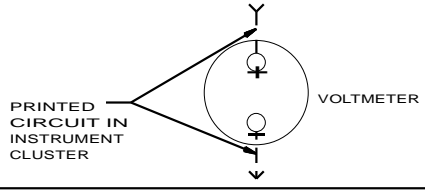
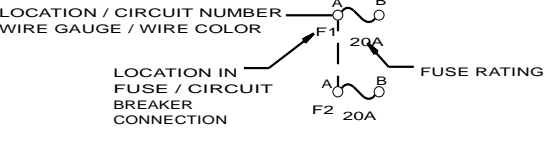
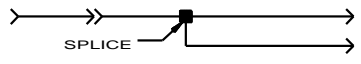
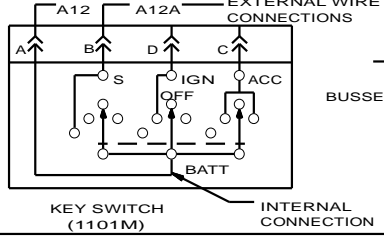
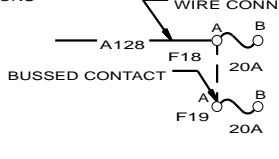
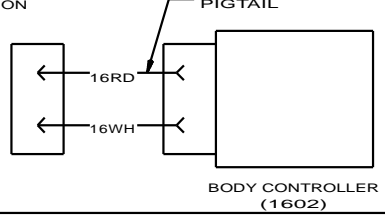


<p>NAVISTAR, INC</p> <p>THIS PRINT IS PROVIDED ON A RESTRICTED BASIS AND IS NOT TO BE USED IN ANY WAY DETRIMENTAL TO THE INTEREST OF NAVISTAR, INC.</p>	<p>ELECTRICAL CIRCUIT DIAGRAM</p> <p>CHAPTER 2</p> <p>CIRCUIT DIAGRAM INSTRUCTIONS</p>																																										
<p>A - SWITCH AND RELAY POSITIONS AS SHOWN ON CIRCUIT DIAGRAMS INDICATE NORMAL POSITION WITH IGNITION OFF UNLESS OTHERWISE NOTED.</p> <div style="display: flex; justify-content: space-around; align-items: flex-end;"> <div style="text-align: center;">  <p>SWITCH, MECHANICAL</p> </div> <div style="text-align: center;">  <p>SOLENOID</p> </div> <div style="text-align: center;">  <p>RELAY - SUPPRESSED</p> </div> </div>	<p>B - MULTIPLE CONNECTIONS ARE DISPLAYED ON SCHEMATIC AS SHOWN WITH R/D NUMBER & CAVITY NUMBER. REFER TO CONNECTOR COMPOSITE FOR MORE INFORMATION</p> <div style="display: flex; justify-content: center; align-items: center;"> <div style="margin-right: 20px;"> <p>R/D NUMBER CAVITY NUMBER</p>  </div> <div style="margin-right: 20px;"> <p>AND/OR</p> </div> <div> <p>CAVITY NUMBER R/D NUMBER</p>  </div> </div> <p>SINGLE IN-LINE CONNECTORS DISPLAYED AS SHOWN BELOW WITHOUT R/D NUMBER</p> 																																										
<p>C - PHANTOM LINES INDICATE PRINTED CIRCUITS OR BUSSED CIRCUITS. THESE CIRCUITS EXIST IN THE INSTRUMENT CLUSTER AND FUSE / CIRCUIT BREAKER CONNECTORS.</p> <div style="display: flex; justify-content: space-around;"> <div style="text-align: center;">  <p>PRINTED CIRCUIT IN INSTRUMENT CLUSTER</p> <p>VOLTMETER</p> </div> <div style="text-align: center;">  <p>LOCATION / CIRCUIT NUMBER WIRE GAUGE / WIRE COLOR</p> <p>LOCATION IN FUSE / CIRCUIT BREAKER CONNECTION</p> <p>FUSE RATING</p> </div> </div>																																											
<p>D - MULTIPLE CIRCUIT NUMBERS ON A LINE INDICATE ONE CIRCUIT DISTRIBUTING CURRENT TO TWO CIRCUITS.</p> <div style="text-align: center;">  <p>SPLICE</p> </div>																																											
<p>E - SWITCHES, RELAYS AND COMPONENTS INDICATE EXTERNAL WIRE CONNECTIONS AND / OR INTERNAL CONNECTIONS OR CONTACTS.</p> <div style="display: flex; justify-content: space-around;"> <div style="text-align: center;">  <p>KEY SWITCH (1101M)</p> <p>INTERNAL CONNECTION</p> </div> <div style="text-align: center;">  <p>WIRE CONNECTION</p> <p>BUSSED CONTACT</p> </div> <div style="text-align: center;">  <p>PIGTAIL</p> <p>BODY CONTROLLER (1602)</p> </div> </div>																																											
<p>F - CIRCUIT "11" DENOTES ANY COMMON GROUND (MORE THAN ONE CIRCUIT). ANY INDIVIDUAL GROUND CIRCUIT IS IDENTIFIED WITH THAT PARTICULAR CIRCUIT NUMBER. (E.G. CIRCUIT 32 CRUISE CONTROL IS IDENTIFIED AS PER EXAMPLE)</p> <div style="display: flex; justify-content: space-around;"> <div style="text-align: center;">  <p>COMMON GROUND CIRCUIT NUMBER</p> </div> <div style="text-align: center;">  <p>INDIVIDUAL GROUND CIRCUIT NUMBER</p> </div> </div> <p>SUFFIX BEGINNING WITH G INDICATES A GROUND CIRCUIT</p> <p>SUFFIX BEGINNING WITH G INDICATES A GROUND CIRCUIT</p> <p>NOTE: FOR CIRCUIT DESCRIPTION OTHER THAN GROUNDS NEITHER THE LETTER "G" NOR THE COLOR WHITE SHALL BE USED</p>																																											
<table border="1" style="width: 100%; border-collapse: collapse; font-size: small;"> <tr> <td>CHK</td> <td>DATE</td> <td>CHANGE</td> <td>REV</td> <td>REFERENCE</td> <td>DRAWN</td> <td>NAME</td> </tr> <tr> <td>MJVO</td> <td>03JUN17</td> <td>INITIAL RELEASE.</td> <td>A</td> <td>93784R</td> <td>MJV0863</td> <td>CIRCUIT DIAGRAM, RE BUS - CHASSIS</td> </tr> <tr> <td></td> <td></td> <td></td> <td></td> <td></td> <td>RELEASE NO.</td> <td>DATE</td> </tr> <tr> <td></td> <td></td> <td></td> <td></td> <td></td> <td>93784R</td> <td>20MAR17</td> </tr> <tr> <td></td> <td></td> <td></td> <td></td> <td></td> <td>PART NO.</td> <td>SHEET</td> </tr> <tr> <td></td> <td></td> <td></td> <td></td> <td></td> <td>AE08085133</td> <td>003</td> </tr> </table>		CHK	DATE	CHANGE	REV	REFERENCE	DRAWN	NAME	MJVO	03JUN17	INITIAL RELEASE.	A	93784R	MJV0863	CIRCUIT DIAGRAM, RE BUS - CHASSIS						RELEASE NO.	DATE						93784R	20MAR17						PART NO.	SHEET						AE08085133	003
CHK	DATE	CHANGE	REV	REFERENCE	DRAWN	NAME																																					
MJVO	03JUN17	INITIAL RELEASE.	A	93784R	MJV0863	CIRCUIT DIAGRAM, RE BUS - CHASSIS																																					
					RELEASE NO.	DATE																																					
					93784R	20MAR17																																					
					PART NO.	SHEET																																					
					AE08085133	003																																					

Figure 3 Circuit Diagram Instructions

2.4. CIRCUIT NUMBER IDENTIFICATION AND COLOR, P. 4

NAVISTAR, INC		ELECTRICAL CIRCUIT DIAGRAM	CHAPTER 2
THIS PRINT IS PROVIDED ON A RESTRICTED BASIS AND IS NOT TO BE USED IN ANY WAY DETRIMENTAL TO THE INTEREST OF NAVISTAR, INC.		CIRCUIT NUMBER IDENTIFICATION AND COLOR	
CIRCUIT NUMBER	COLOR	DESCRIPTION	
1	LTBL	ALTERNATOR - FIELD	
2	RD	ALTERNATOR - CHARGE	
3	DKBL	SERIAL / DATA COMMUNICATION J1587 / J1708 (+)	
	GY	SERIAL / DATA COMMUNICATION J1587 / J1708 (-)	
4	DKBL	SERIAL / DATA COMMUNICATION J1922 (+)	
	GY	SERIAL / DATA COMMUNICATION J1922 (-)	
5	YL	SERIAL / DATA COMMUNICATION J1939/11 / J1939/15 (+)	
	GN	SERIAL / DATA COMMUNICATION J1939/11 / J1939/15 (-)	
6	GY	LOW VOLTAGE ELECTRONIC FEED (LESS THAN 9 VOLTS)	
7	RD	ALTERNATOR - RESISTANCE	
8			
9	GY	LOW VOLTAGE ELECTRONIC GROUND	
10	WH	CHASSIS / ENGINE GROUND	
11	WH	CAB / SLEEPER GROUND	
12	LTBL	ACCESSORY FEED	
13	PK	IGNITION FEED	
	BK	IGNITION FEED (BODY BUILDER CONNECTOR)	
14	RD	BATTERY FEED	
15	RD	KEY SWITCH FEED	
16			
17	PK	STARTER CONTROL	
18	PK	GLOW PLUG / PREHEATER	
19	GY	ENGINE SHUTDOWN	
20	LTGN	REMOTE POWER MODULE	
21	TN	COLD START CONTROLS (ETHER)	
22	TN	TIRE PRESSURE MONITORING / CONTROL	
23	TN	ENGINE FAN / SHUTTERS	
24	GY	ENGINE EXHAUST BRAKE	
25	TN	PYROMETER	
26	TN	AMMETER	
27	TN	VOLTMETER	
28	TN	INSTRUMENTS AND GAUGES	
29	TN	ENGINE WATER TEMPERATURE	
30	TN	ENGINE OIL TEMPERATURE	
31	TN	TRANSMISSION OIL TEMPERATURE	
32	TN	AXLE OIL TEMPERATURE	
33	TN	ENGINE OIL LEVEL	
34	TN	COOLANT LEVEL	
35	TN	ENGINE OIL PRESSURE	
36	TN	FUEL LEVEL	
37	TN	FUEL PUMP	
38	GY	LIFT AXLE	
39	GY	AIR DRYER HEATER	
40	GY	LOW AIR PRESSURE WARNING	

CHK	DATE	CHANGE	REV	REFERENCE	DRAWN	NAME
					MJV0863	CIRCUIT DIAGRAM, RE BUS - CHASSIS
MJV0863	26 JUN 17	INITIAL RELEASE.	A	93784R	RELEASE NO.	DATE
					93784R	20 MAR 17
						PART NO.
						AE08085133
						SHEET
						004

Figure 4 Circuit Number Identification and Color

2.5. CIRCUIT NUMBER IDENTIFICATION AND COLOR (CONT.), P. 5

NAVISTAR, INC				ELECTRICAL CIRCUIT DIAGRAM		CHAPTER 2	
THIS PRINT IS PROVIDED ON A RESTRICTED BASIS AND IS NOT TO BE USED IN ANY WAY DETRIMENTAL TO THE INTEREST OF NAVISTAR, INC.				CIRCUIT NUMBER IDENTIFICATION AND COLOR (CONT)			
CIRCUIT NUMBER	COLOR	DESCRIPTION					
41	TN	AIR TEMPERATURE					
42	GY	FRONT AXLE ENGAGED					
43	GY	POWER DIVIDER LOCK (PDL) WARNING					
44	GY	PARK BRAKE WARNING					
45	LTGN	ANTITHEFT WARNING					
46	GY	POWER TAKEOFF WARNING					
47	GY	SPEEDOMETER					
48	GY	TACHOMETER					
49	GY	DIFFERENTIAL LOCK WARNING					
50	YL	LIGHT SWITCH FEED					
51	YL	DIMMER SWITCH FEED					
52	YL	HEADLIGHT HI - BEAM					
53	YL	HEADLIGHT LO - BEAM					
54	BN	PARKING / MARKER LIGHTS					
55	OR	TURN SIGNAL - FEED					
56	OR	TURN SIGNAL LIGHTS - LEFT					
	YL	TURN SIGNAL LIGHTS - LEFT (BODY BUILDER CONNECTION)					
57	OR	TURN SIGNAL LIGHTS - RIGHT					
	LTGN	TURN SIGNAL LIGHTS - RIGHT (BODY BUILDER CONNECTION)					
58	BN	CLEARANCE / IDENTIFICATION LIGHTS					
59	GY	SOLENOID					
60	OR	HAZARD LIGHTS					
61	GY	AIR SUSPENSION					
62	DKBL	PANEL LIGHTS					
63	DKBL	COURTESY / DOME LIGHTS					
64	YL	FOG / DRIVING LIGHTS					
65	OR	CAB REAR FLOOD LIGHTS					
66	YL	DAYTIME RUNNING LIGHT					
67	GY	OBSTACLE AVOIDANCE / REMOTE SENSOR					
68	BN	TAIL LIGHTS					
69	BN	LICENSE PLATE LIGHT					
	OR	STOP LIGHTS					
70	RD	STOP LIGHTS (BODY BUILDER CONNECTION)					
	OR	BACKUP - LIGHTS					
71	LTBL	BACKUP - LIGHTS (BODY BUILDER CONNECTION)					
	OR	TRAILER AUXILIARY FEED - BATTERY					
72	OR	TRAILER AUXILIARY FEED - BATTERY					
73	LTGN	PWM					
74	LTGN	HEATER RECIRC MOTOR					
75	LTGN	HEATER BLOWER MOTOR					
76	LTGN	AUXILIARY FAN					
77	LTGN	AIR CONDITIONER					
78	LTGN	MIRRORS - HEATED, MOTORIZED					
79	GY	SEAT BELTS					
80	BK	SLEEPER BOX RELAY - FEED					

CHK	DATE	CHANGE	REV	REFERENCE	DRAWN	NAME
MJV0	23 JUN 17	INITIAL RELEASE.	A	93784R	MJV0863	CIRCUIT DIAGRAM, RE BUS - CHASSIS
					RELEASE NO.	DATE
					93784R	20MAR17
					PART NO.	SHEET
					AE08085133	005

Figure 5 Circuit Number Identification and Color (Cont.)

2.6. CIRCUIT NUMBER IDENTIFICATION AND COLOR (CONT.), P. 6

NAVISTAR, INC				ELECTRICAL CIRCUIT DIAGRAM		CHAPTER 2	
THIS PRINT IS PROVIDED ON A RESTRICTED BASIS AND IS NOT TO BE USED IN ANY WAY DETRIMENTAL TO THE INTEREST OF NAVISTAR, INC.				CIRCUIT NUMBER IDENTIFICATION AND COLOR (CONT.)			
CIRCUIT NUMBER	COLOR	DESCRIPTION					
81	LTGN	POWER DOOR LOCKS					
82	GY	WINDSHIELD WIPER					
83	LTGN	POWER WINDOWS					
84	LTGN	CIGAR LIGHTER					
85	GY	HORN					
86	LTGN	RADIO - ENTERTAINMENT / CLOCK					
87	GY	WINDSHIELD WASHER					
88	LTGN	CLOCK / HOURMETER					
89	VT	AIR BAG					
89	OR	PUPIL WARNING LIGHTS					
90	GY	HYDRAULIC BRAKE PUMP					
91	VT	INTERCOMMUNICATION					
92	TN	TRANSMISSION CONTROLS - ELECTRONICS					
93	TN	AXLE SHIFT CONTROL					
94	GY	ANTILOCK BRAKE SYSTEM					
95	TN	EXHAUST EMISSION					
96	YL	SNOW PLOW LIGHTS / CRUISE CONTROLS					
97	VT	ENGINE CONTROLS - ELECTRONIC					
98	BK	DATALINK AND DIAGNOSTICS					
99	VT	ACCELERATOR POSITION SENSOR (APS)					
100	GY	AIR HORN (ELECTRIC SOLENOID ACTUATED)					
101	TN	BRAKE APPLICATION AIR					
102	YL	FLASH TO PASS					
103	LTGN	BODY BUILDER AUXILIARY FEED					
104	DKBL	REMOTE START / STOP					
105	LTGN	HEATED SEATS					
106	OR	HIGH VOLTAGE ALTERNATOR AC CHARGE					
107	GY	INTRUMENT CLUSTER ELECTRONIC FEED (5V)					
108	GY	BRAKE PAD WEAR SENSOR					
109	GY	BRAKE STROKE / SLACK ADJUSTER					
110	GY	INTRUMENT CLUSTER ELECTRONIC GROUND					
111	TN	FUEL FILTER RESTRICTION TRANSDUCER					
112	GY	LIFT GATE					
113	YL	BLACKOUT LIGHT					
114	YL	INFRARED LIGHTS					
115	LTGN	WINCH					
116	GY	FIFTH WHEEL					
117	GY	EMERGENCY EXIT - REAR DOOR - REAR OVAL WINDOW					
118	LTBL	NOISE SUPPRESSION - SOLENOID					
119	GY	STOP ARM / CROSSING GATE					
120	LTGN	DOOR CONTROL					
121	YL	ENGINE COMPARTMENT LIGHT					
122	GY	WHEEL CHAIR LIFT					
123	GY	FLASHER SYSTEM CONTROL					
124	LTGN	SPARE WIRE					
125	GY	POST TRIP INSPECTION - CRS / CHECK MATE / BUS SCAN					
126	GY	EMERGENCY EXIT - WINDOWS					
127	OR	STROBE LIGHT					
CHK	DATE	CHANGE	REV	REFERENCE	DRAWN	NAME	
MJV0	23 JUN 17	INITIAL RELEASE.	A	93784R	MJV0863	CIRCUIT DIAGRAM, RE BUS - CHASSIS	
					RELEASE NO.	DATE	PART NO.
					93784R	20MAR17	AE08085133
							SHEET 006

Figure 6 Circuit Number Identification and Color (Cont.)

2.7. CIRCUIT NUMBER IDENTIFICATION AND COLOR (CONT.), P. 7

NAVISTAR, INC				ELECTRICAL CIRCUIT DIAGRAM		CHAPTER 2																																																																																																	
THIS PRINT IS PROVIDED ON A RESTRICTED BASIS AND IS NOT TO BE USED IN ANY WAY DETRIMENTAL TO THE INTEREST OF NAVISTAR, INC.				CIRCUIT NUMBER IDENTIFICATION AND COLOR (CONT)																																																																																																			
<table border="1" style="width: 100%; border-collapse: collapse;"> <thead> <tr> <th style="width: 15%;">CIRCUIT NUMBER</th> <th style="width: 15%;">COLOR</th> <th style="width: 70%;">DESCRIPTION</th> </tr> </thead> <tbody> <tr><td>128</td><td>LTBL</td><td>LIGHT MONITOR</td></tr> <tr><td>129</td><td>GY</td><td>EMERGENCY EXIT - ROOF HATCH</td></tr> <tr><td>130</td><td>GY</td><td>EMERGENCY EXIT - SIDE EMERGENCY DOOR</td></tr> <tr><td>131</td><td>DKBL</td><td>STEP LIGHT / SKIRT LIGHT</td></tr> <tr><td>132</td><td>GY</td><td>STEP HEATER</td></tr> <tr><td>133</td><td>LTGN</td><td>VANDAL LOCK - STARTER INTERRUPT</td></tr> <tr><td>134</td><td>OR</td><td>DESTINATION SIGN</td></tr> <tr><td>135</td><td>OR</td><td>LUGGAGE BOX LIGHT</td></tr> <tr><td>136</td><td>YL</td><td>ELECTRICAL PANEL LIGHT</td></tr> <tr><td>137</td><td>LTBL</td><td>CAMERA</td></tr> <tr><td>138</td><td>GY</td><td>TIRE TRACTION ASSIST</td></tr> <tr><td>139</td><td>YL</td><td>PEDESTRAIN LIGHT</td></tr> <tr><td>140</td><td>TN</td><td>BATTERY ISOLATOR</td></tr> <tr><td>141</td><td>LTGN</td><td>PASSENGER PULL SWITCH</td></tr> <tr><td>142</td><td>LTGN</td><td>TWO - WAY RADIO</td></tr> <tr><td>143</td><td>DKBL</td><td>3" RED LT - K/O WDW, SED, FR OR RR BULKHEAD</td></tr> <tr><td>144</td><td>GY</td><td>FIRST SUPPRESSION SYSTEM</td></tr> </tbody> </table> <table border="1" style="width: 100%; border-collapse: collapse;"> <thead> <tr> <th style="width: 10%;">PREFIX</th> <th style="width: 90%;">LOCATION</th> </tr> </thead> <tbody> <tr><td>A</td><td>BUS - PLATFORM</td></tr> <tr><td>B</td><td>BUS - ELECTRIC ACCESS PANEL</td></tr> <tr><td>C</td><td>BUS - FRONT CAP</td></tr> <tr><td>D</td><td>BUS - REAR CAP</td></tr> <tr><td>E</td><td>BUS - LEFT BODY</td></tr> <tr><td>F</td><td>BUS - RIGHT BODY</td></tr> <tr><td>H</td><td>BUS BODY AUXILIARY HEATER</td></tr> <tr><td>J</td><td>CAB - DASH (OUTSIDE)</td></tr> <tr><td>K</td><td>ENGINE / RADIATOR</td></tr> <tr><td>L</td><td>TRANSMISSION</td></tr> <tr><td>M</td><td>CHASSIS / FRONT END (CAB DASH PANEL FORWARD)</td></tr> <tr><td>N</td><td>CHASSIS / CENTER SECTION (CAB DASH PANEL TO CAB REAR XMBR)</td></tr> <tr><td>P</td><td>CHASSIS / WHEEL BASE SECTION</td></tr> <tr><td>R</td><td>CHASSIS / SUSPENSION / REAR AXLE / AXLES</td></tr> <tr><td>S</td><td>CHASSIS / AF SECTION / STOP / TAIL / TURN LIGHTS</td></tr> <tr><td>T</td><td>TRAVEL DOORS</td></tr> <tr><td>U</td><td>HOOD MTD HEADLIGHTS / MARKER LIGHTS</td></tr> <tr><td>V</td><td>SLEEPER ROOF / BACK PANEL WIRING</td></tr> <tr><td>W</td><td>WARDROBE CABINET WIRING</td></tr> <tr><td>Y</td><td>BUS - FRONT END / SEALD ENGINE HARNESS</td></tr> </tbody> </table>								CIRCUIT NUMBER	COLOR	DESCRIPTION	128	LTBL	LIGHT MONITOR	129	GY	EMERGENCY EXIT - ROOF HATCH	130	GY	EMERGENCY EXIT - SIDE EMERGENCY DOOR	131	DKBL	STEP LIGHT / SKIRT LIGHT	132	GY	STEP HEATER	133	LTGN	VANDAL LOCK - STARTER INTERRUPT	134	OR	DESTINATION SIGN	135	OR	LUGGAGE BOX LIGHT	136	YL	ELECTRICAL PANEL LIGHT	137	LTBL	CAMERA	138	GY	TIRE TRACTION ASSIST	139	YL	PEDESTRAIN LIGHT	140	TN	BATTERY ISOLATOR	141	LTGN	PASSENGER PULL SWITCH	142	LTGN	TWO - WAY RADIO	143	DKBL	3" RED LT - K/O WDW, SED, FR OR RR BULKHEAD	144	GY	FIRST SUPPRESSION SYSTEM	PREFIX	LOCATION	A	BUS - PLATFORM	B	BUS - ELECTRIC ACCESS PANEL	C	BUS - FRONT CAP	D	BUS - REAR CAP	E	BUS - LEFT BODY	F	BUS - RIGHT BODY	H	BUS BODY AUXILIARY HEATER	J	CAB - DASH (OUTSIDE)	K	ENGINE / RADIATOR	L	TRANSMISSION	M	CHASSIS / FRONT END (CAB DASH PANEL FORWARD)	N	CHASSIS / CENTER SECTION (CAB DASH PANEL TO CAB REAR XMBR)	P	CHASSIS / WHEEL BASE SECTION	R	CHASSIS / SUSPENSION / REAR AXLE / AXLES	S	CHASSIS / AF SECTION / STOP / TAIL / TURN LIGHTS	T	TRAVEL DOORS	U	HOOD MTD HEADLIGHTS / MARKER LIGHTS	V	SLEEPER ROOF / BACK PANEL WIRING	W	WARDROBE CABINET WIRING	Y	BUS - FRONT END / SEALD ENGINE HARNESS
CIRCUIT NUMBER	COLOR	DESCRIPTION																																																																																																					
128	LTBL	LIGHT MONITOR																																																																																																					
129	GY	EMERGENCY EXIT - ROOF HATCH																																																																																																					
130	GY	EMERGENCY EXIT - SIDE EMERGENCY DOOR																																																																																																					
131	DKBL	STEP LIGHT / SKIRT LIGHT																																																																																																					
132	GY	STEP HEATER																																																																																																					
133	LTGN	VANDAL LOCK - STARTER INTERRUPT																																																																																																					
134	OR	DESTINATION SIGN																																																																																																					
135	OR	LUGGAGE BOX LIGHT																																																																																																					
136	YL	ELECTRICAL PANEL LIGHT																																																																																																					
137	LTBL	CAMERA																																																																																																					
138	GY	TIRE TRACTION ASSIST																																																																																																					
139	YL	PEDESTRAIN LIGHT																																																																																																					
140	TN	BATTERY ISOLATOR																																																																																																					
141	LTGN	PASSENGER PULL SWITCH																																																																																																					
142	LTGN	TWO - WAY RADIO																																																																																																					
143	DKBL	3" RED LT - K/O WDW, SED, FR OR RR BULKHEAD																																																																																																					
144	GY	FIRST SUPPRESSION SYSTEM																																																																																																					
PREFIX	LOCATION																																																																																																						
A	BUS - PLATFORM																																																																																																						
B	BUS - ELECTRIC ACCESS PANEL																																																																																																						
C	BUS - FRONT CAP																																																																																																						
D	BUS - REAR CAP																																																																																																						
E	BUS - LEFT BODY																																																																																																						
F	BUS - RIGHT BODY																																																																																																						
H	BUS BODY AUXILIARY HEATER																																																																																																						
J	CAB - DASH (OUTSIDE)																																																																																																						
K	ENGINE / RADIATOR																																																																																																						
L	TRANSMISSION																																																																																																						
M	CHASSIS / FRONT END (CAB DASH PANEL FORWARD)																																																																																																						
N	CHASSIS / CENTER SECTION (CAB DASH PANEL TO CAB REAR XMBR)																																																																																																						
P	CHASSIS / WHEEL BASE SECTION																																																																																																						
R	CHASSIS / SUSPENSION / REAR AXLE / AXLES																																																																																																						
S	CHASSIS / AF SECTION / STOP / TAIL / TURN LIGHTS																																																																																																						
T	TRAVEL DOORS																																																																																																						
U	HOOD MTD HEADLIGHTS / MARKER LIGHTS																																																																																																						
V	SLEEPER ROOF / BACK PANEL WIRING																																																																																																						
W	WARDROBE CABINET WIRING																																																																																																						
Y	BUS - FRONT END / SEALD ENGINE HARNESS																																																																																																						
CHR	DATE	CHANGE	REV	REFERENCE	DRAWN	NAME																																																																																																	
MJV0	23 JUN 17	INITIAL RELEASE.	A	93784R	MJV0863	CIRCUIT DIAGRAM, RE BUS - CHASSIS																																																																																																	
					RELEASE NO.	DATE																																																																																																	
					93784R	20MAR17																																																																																																	
					PART NO.	SHEET																																																																																																	
					AE08085133	007																																																																																																	

Figure 7 Circuit Number Identification and Color (Cont.)

2.9. RELAY FUNCTION AND WIRING GUIDE, P. 9

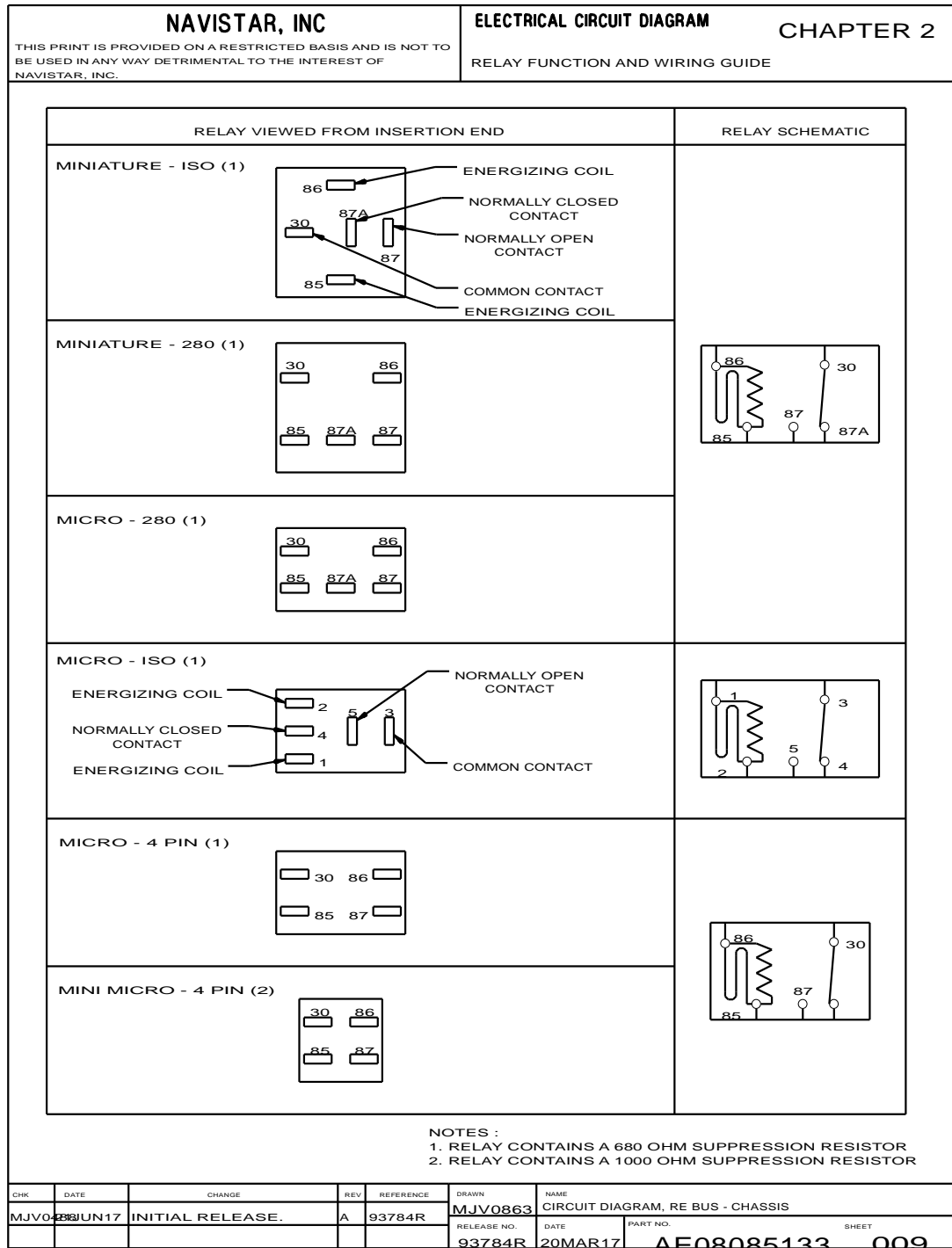


Figure 9 Relay Function and Wiring Guide

2.10. SCHEMATIC SYMBOL CHART, P. 10

NAVISTAR, INC					ELECTRICAL CIRCUIT DIAGRAM		CHAPTER 2	
THIS PRINT IS PROVIDED ON A RESTRICTED BASIS AND IS NOT TO BE USED IN ANY WAY DETRIMENTAL TO THE INTEREST OF NAVISTAR, INC.					SCHEMATIC SYMBOL CHART			
SYMBOL		DESCRIPTION			SYMBOL		DESCRIPTION	
		AIR DRYER					CIGAR LIGHTER	
		ALARM					CIRCUIT BREAKER	
		ALTERNATOR					DIODE	
		AMMETER					DIODE, LIGHT EMITTING	
		BATTERY					FAN SOLENOID	
		BLUNT CUT CIRCUIT					FEMALE TERMINAL	
		BUSBAR					FUSE	
CHK	DATE	CHANGE	REV	REFERENCE	DRAWN	NAME		
MJV	26 JUN 17	INITIAL RELEASE.	A	93784R	MJV0863	CIRCUIT DIAGRAM, RE BUS - CHASSIS		
					RELEASE NO.	DATE	PART NO.	SHEET
					93784R	20 MAR 17	AE08085133	010

Figure 10 Schematic Symbol Chart

2.11. SCHEMATIC SYMBOL CHART (CONT.), P. 11

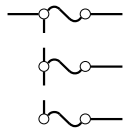
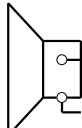

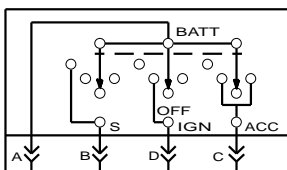
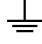
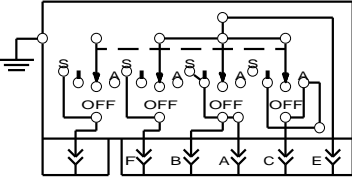

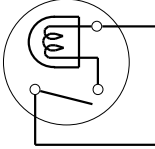
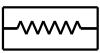
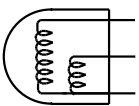
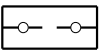
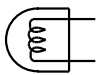
NAVISTAR, INC				ELECTRICAL CIRCUIT DIAGRAM		CHAPTER 2	
THIS PRINT IS PROVIDED ON A RESTRICTED BASIS AND IS NOT TO BE USED IN ANY WAY DETRIMENTAL TO THE INTEREST OF NAVISTAR, INC.				SCHEMATIC SYMBOL CHART (CONT)			
SYMBOL	DESCRIPTION			SYMBOL	DESCRIPTION		
	FUSES W/ BUSBAR				HORN		
	FUSIBLE LINK				KEY SWITCH		
	GROUND N/ STUD				KEY SWITCH, COMPLEX		
	GROUND W/ STUD				LIGHT W/ SWITCH		
	HEATER				LIGHT, DOUBLE FILAMENT		
	HOLDER, FUSE W/ BUSBAR				LIGHT, SINGLE FILAMENT		
CHK	DATE	CHANGE	REV	REFERENCE	DRAWN	NAME	
MJVO	23 JUN 17	INITIAL RELEASE.	A	93784R	MJV0863	CIRCUIT DIAGRAM, RE BUS - CHASSIS	
					RELEASE NO.	DATE	PART NO.
					93784R	20MAR17	AE08085133 011

Figure 11 Schematic Symbol Chart (Cont.)

2.12. SCHEMATIC SYMBOL CHART (CONT.), P. 12

NAVISTAR, INC				ELECTRICAL CIRCUIT DIAGRAM		CHAPTER 2	
THIS PRINT IS PROVIDED ON A RESTRICTED BASIS AND IS NOT TO BE USED IN ANY WAY DETRIMENTAL TO THE INTEREST OF NAVISTAR, INC.				SCHEMATIC SYMBOL CHART (CONT)			
SYMBOL	DESCRIPTION			SYMBOL	DESCRIPTION		
	MALE TERMINAL				RESISTOR		
	MOTOR				SENDER - FUEL, OIL, TEMP, WATER		
	PASS THRU CONNECTION				SENSOR, PRESSURE. ABS 6		
	PRESSURE SWITCH				SENSOR, MAGNETIC		
	RELAY, FIVE TERMINAL				SENSOR, YAW		
	RELAY, FOUR TERMINAL				SOLENOID		
	RELAY, LATCHING				SOLENOID W/ DIODE		
CHK	DATE	CHANGE	REV	REFERENCE	DRAWN	NAME	
MJV0863	20JUN17	INITIAL RELEASE.	A	93784R	MJV0863	CIRCUIT DIAGRAM, RE BUS - CHASSIS	
					RELEASE NO.	DATE	PART NO.
					93784R	20MAR17	AE08085133
							SHEET 012

Figure 12 Schematic Symbol Chart (Cont.)

2.13. SCHEMATIC SYMBOL CHART (CONT.), P. 13

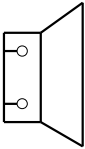


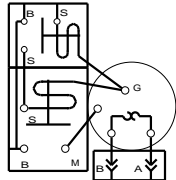
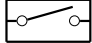
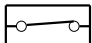
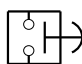
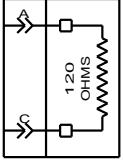
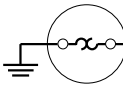
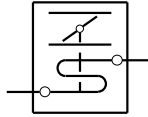
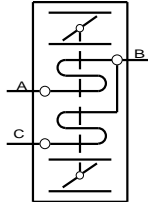

NAVISTAR, INC				ELECTRICAL CIRCUIT DIAGRAM		CHAPTER 2	
THIS PRINT IS PROVIDED ON A RESTRICTED BASIS AND IS NOT TO BE USED IN ANY WAY DETRIMENTAL TO THE INTEREST OF NAVISTAR, INC.				SCHEMATIC SYMBOL CHART (CONT)			
SYMBOL				DESCRIPTION			
				SPEAKER			
				SPLICE			
				STUD			
				START MOTOR W/ TOCP			
				SWITCH, MECHANICAL (NORMALLY OPEN)			
				SWITCH, MECHANICAL (NORMALLY CLOSED)			
SYMBOL				DESCRIPTION			
				SWITCH, PUSH BUTTON			
				TERMINATING RESISTOR			
				THERMOSTAT			
				VALVE, ETHER BOTTLE			
				VALVE, MODULATOR			
				THERMISTOR			
CHK	DATE	CHANGE	REV	REFERENCE	DRAWN	NAME	
MJV0	23 JUN 17	INITIAL RELEASE.	A	93784R	MJV0863	CIRCUIT DIAGRAM, RE BUS - CHASSIS	
					RELEASE NO.	DATE	PART NO. SHEET
					93784R	20MAR17	AE08085133 013

Figure 13 Schematic Symbol Chart (Cont.)

2.14. SCHEMATIC SYMBOL CHART (CONT.), P. 14

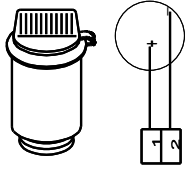
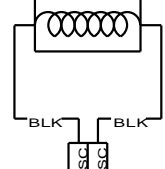
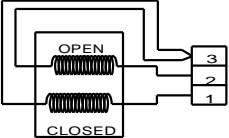
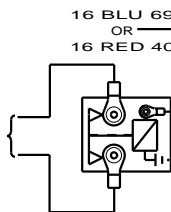
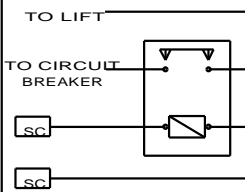
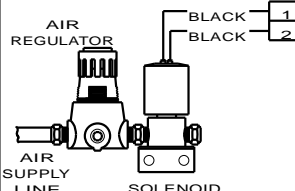
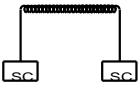

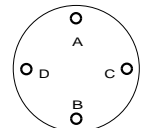
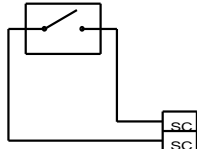
NAVISTAR, INC				ELECTRICAL CIRCUIT DIAGRAM			
THIS PRINT IS PROVIDED ON A RESTRICTED BASIS AND IS NOT TO BE USED IN ANY WAY DETRIMENTAL TO THE INTEREST OF NAVISTAR, INC.				CHAPTER 2			
				SCHEMATIC SYMBOL CHART (CONT)			
SYMBOL		DESCRIPTION		SYMBOL		DESCRIPTION	
		DC OUTLET				AIR DUMP VALVE	
		AIR DOOR CYLINDER				MASTER DISCONNECT	
		LIFT SOLENOID				AIR REGULATOR AND SOLENOID	
		HEATED WIPER BLADES				BACK-UP ALARM	
		REVERSING KEY SWITCH CENTER POSITION "OFF"					
		FOOT SWITCH FOR AIR HORN					
CHK	DATE	CHANGE	REV	REFERENCE	DRAWN	NAME	
MJV0	23 JUN 17	INITIAL RELEASE.	A	93784R	MJV0863	CIRCUIT DIAGRAM, RE BUS - CHASSIS	
					RELEASE NO.	DATE	PART NO.
					93784R	20MAR17	AE08085133
							SHEET 014

Figure 14 Schematic Symbol Chart (Cont.)

2.15. SCHEMATIC SYMBOL CHART (CONT.), P. 15

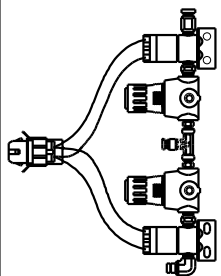
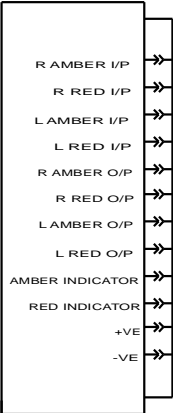
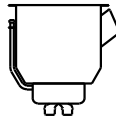
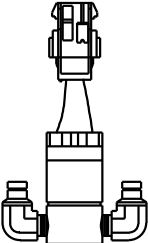
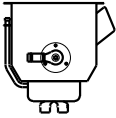
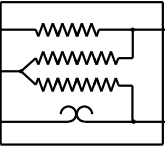


NAVISTAR, INC				ELECTRICAL CIRCUIT DIAGRAM		CHAPTER 2	
THIS PRINT IS PROVIDED ON A RESTRICTED BASIS AND IS NOT TO BE USED IN ANY WAY DETRIMENTAL TO THE INTEREST OF NAVISTAR, INC.				SCHEMATIC SYMBOL CHART (CONT)			
SYMBOL				SYMBOL			
	DUAL ELECT SOLENOID W/ AIR REGULATOR				PILOT LIGHT RELAY		
	RIGHT TRACTION SANDER				AIR HORN SOLENOID		
	LEFT TRACTION SANDER				RESISTOR BLOCK		
	RADIO				CAMERA		
CHK	DATE	CHANGE	REV	REFERENCE	DRAWN	NAME	
MJVO	23 JUN 17	INITIAL RELEASE.	A	93784R	MJV0863	CIRCUIT DIAGRAM, RE BUS - CHASSIS	
					RELEASE NO.	DATE	PART NO.
					93784R	20MAR17	AE08085133
							SHEET
							015

Figure 15 Schematic Symbol Chart (Cont.)

2.16. SCHEMATIC SYMBOL CHART (CONT.), P. 16

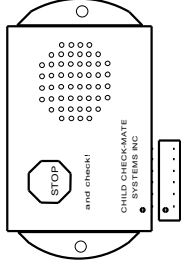
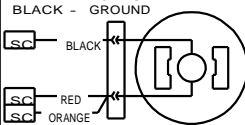
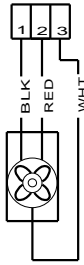
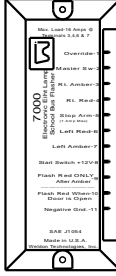

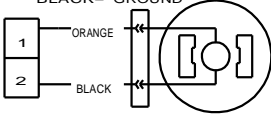
NAVISTAR, INC					ELECTRICAL CIRCUIT DIAGRAM		CHAPTER 2	
THIS PRINT IS PROVIDED ON A RESTRICTED BASIS AND IS NOT TO BE USED IN ANY WAY DETRIMENTAL TO THE INTEREST OF NAVISTAR, INC.					SCHEMATIC SYMBOL CHART (CONT)			
SYMBOL		DESCRIPTION			SYMBOL		DESCRIPTION	
		CHILD CHECK MATE			<p>ORANGE - HIGH SPEED RED - LOW SPEED BLACK - GROUND</p> 		STEP / DEFROST HEATER MOTOR	
		DRIVER'S HEATER MOTOR					ELECTRONIC EIGHT LAMP SCHOOL BUS FLASHER	
							ELECTRONIC LIGHTING SPECIALTIES, INC.	
					<p>ORANGE +12V BLACK - GROUND</p> 		BOOSTER PUMP MOTOR	
CHK	DATE	CHANGE	REV	REFERENCE	DRAWN	NAME		
MJV0	23 JUN 17	INITIAL RELEASE.	A	93784R	MJV0863	CIRCUIT DIAGRAM, RE BUS - CHASSIS		
					RELEASE NO.	DATE	PART NO.	SHEET
					93784R	20MAR17	AE08085133	016

Figure 16 Schematic Symbol Chart (Cont.)

2.17. SCHEMATIC SYMBOL CHART (CONT.), P. 17

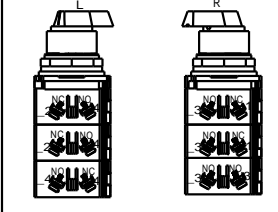
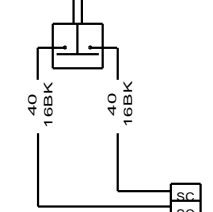
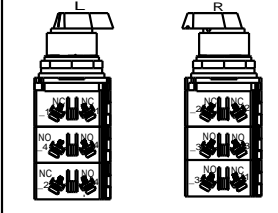
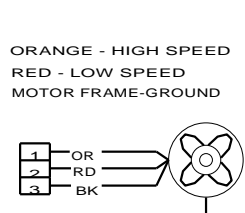
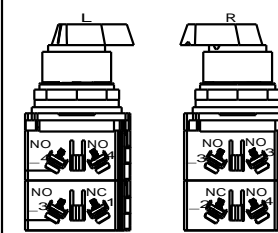
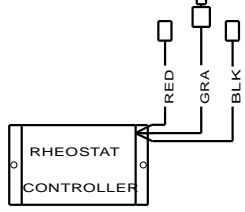
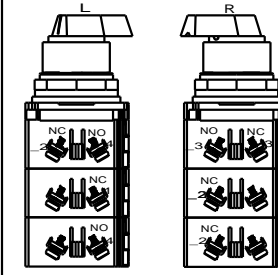
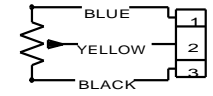
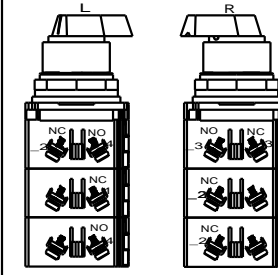
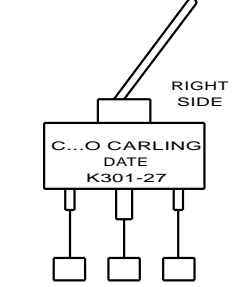
NAVISTAR, INC				ELECTRICAL CIRCUIT DIAGRAM			
THIS PRINT IS PROVIDED ON A RESTRICTED BASIS AND IS NOT TO BE USED IN ANY WAY DETRIMENTAL TO THE INTEREST OF NAVISTAR, INC.				CHAPTER 2			
				SCHEMATIC SYMBOL CHART (CONT)			
SYMBOL		DESCRIPTION		SYMBOL		DESCRIPTION	
		2-POSITION ELECTRIC ENTRANCE DOOR SWITCH				MANUAL DOOR SWITCH	
		3-POSITION ELECTRIC ENTRANCE DOOR SWITCH				FRONT / REAR POWER VENT	
		2-POSITION ROTARY AIR DOOR SWITCH				DOME LIGHT RHEOSTAT	
		3-POSITION ROTARY AIR DOOR SWITCH				PANEL DIMMER	
		3-POSITION ROTARY AIR DOOR SWITCH				3-POSITION DOOR SWITCH IN L DRIVER'S SWITCH PANEL	
CHK	DATE	CHANGE	REV	REFERENCE	DRAWN	NAME	
MJV	03JUN17	INITIAL RELEASE.	A	93784R	MJV0863	CIRCUIT DIAGRAM, RE BUS - CHASSIS	
					RELEASE NO.	DATE	PART NO. SHEET
					93784R	21MAR17	AE08085133 017

Figure 17 Schematic Symbol Chart (Cont.)

2.18. SCHEMATIC SYMBOL CHART (CONT.), P. 18

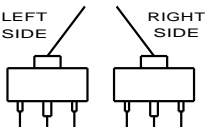
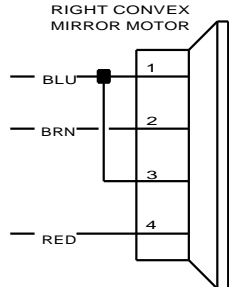

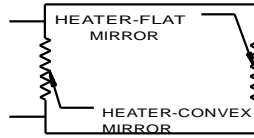
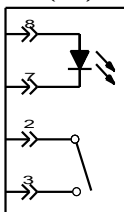
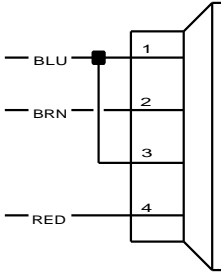
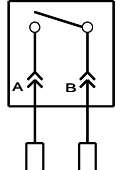

NAVISTAR, INC				ELECTRICAL CIRCUIT DIAGRAM		CHAPTER 2	
THIS PRINT IS PROVIDED ON A RESTRICTED BASIS AND IS NOT TO BE USED IN ANY WAY DETRIMENTAL TO THE INTEREST OF NAVISTAR, INC.				SCHEMATIC SYMBOL CHART (CONT)			
		<p>3-POSITION DOOR SWITCH IN L DRIVER'S SWITCH PANEL</p>					
		<p>LIFT DOOR SWITCH</p>				<p>MOTORIZED HEATED MIRROR</p>	
		<p>ROCKER SWITCH</p>					
		<p>ELECTRIC DOOR CONTROL LIMIT SWITCHING</p>				<p>DEACTIVATION SWITCH</p>	
CHK	DATE	CHANGE	REV	REFERENCE	DRAWN	NAME	
MJV	03JUN17	INITIAL RELEASE.	A	93784R	MJV0863	CIRCUIT DIAGRAM, RE BUS - CHASSIS	
					RELEASE NO.	DATE	PART NO.
					93784R	21MAR17	AE08085133
							SHEET 018

Figure 18 Schematic Symbol Chart (Cont.)

2.19. RE BUS WIRING LAYOUT, P. 19

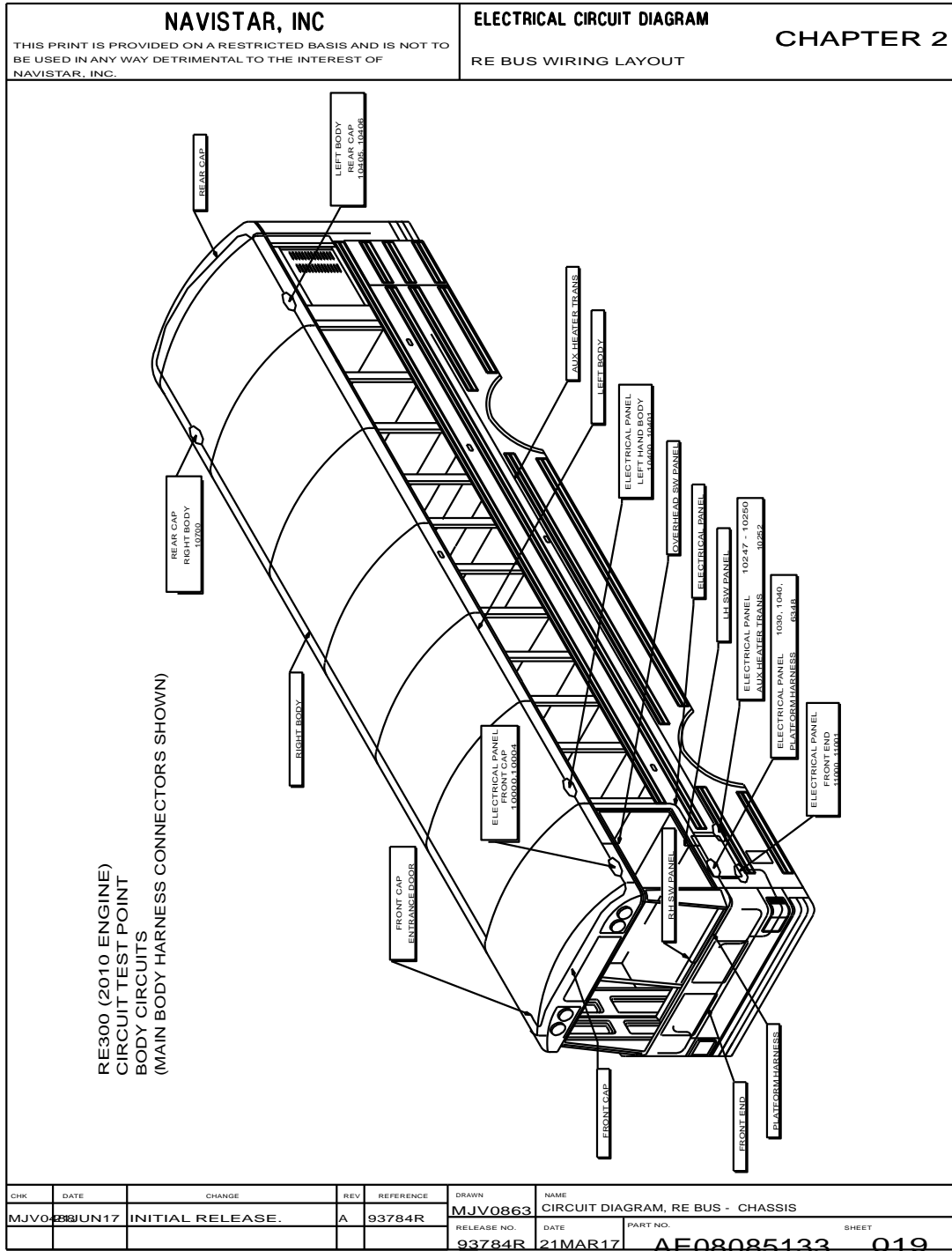


Figure 19 RE Bus Wiring Layout

2.20. ELECTRICAL FUSE PANEL, P. 20

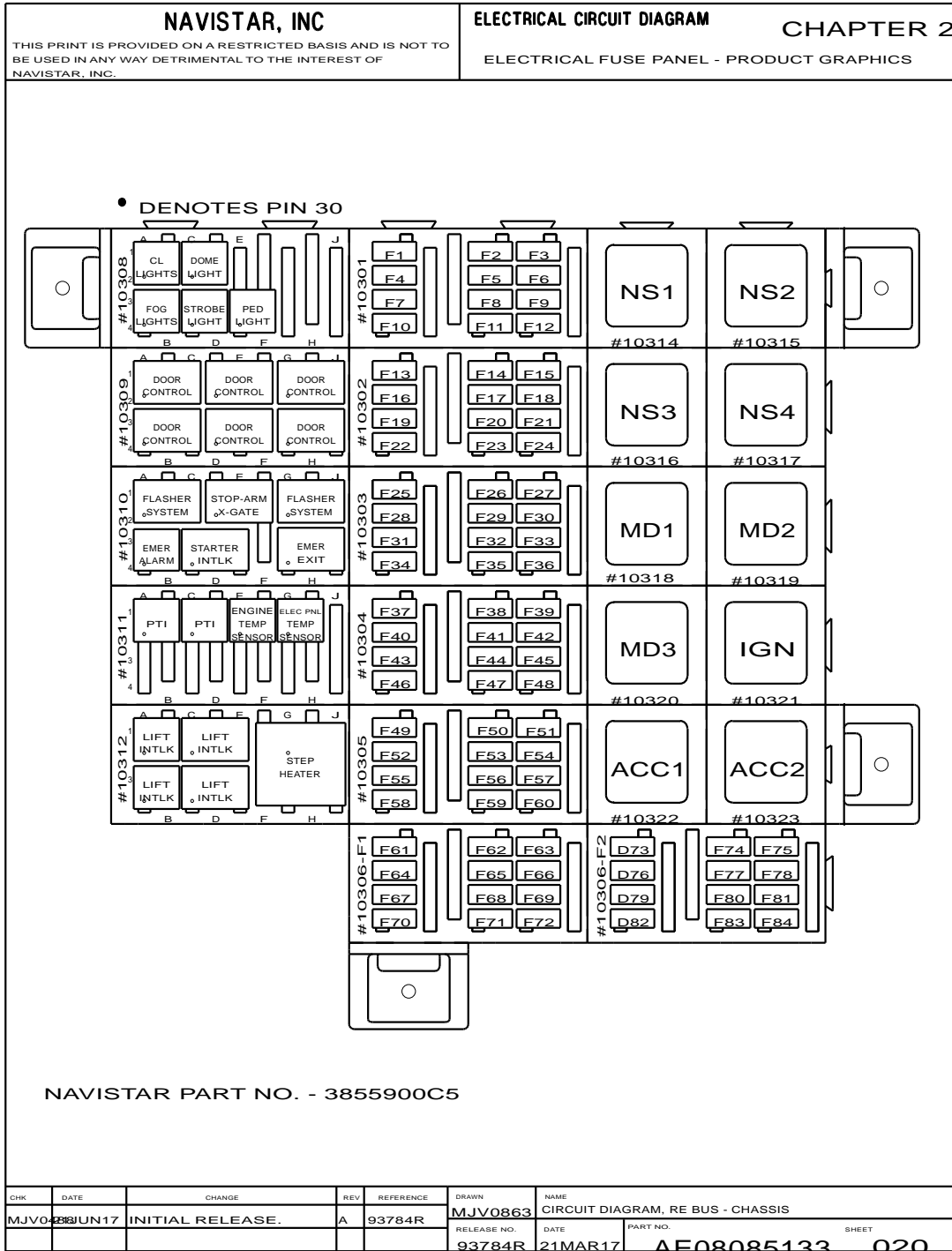


Figure 20 Electrical Fuse Panel

2.21. ELECTRICAL FUSE PANEL (CONT.), P. 21

NAVISTAR, INC				ELECTRICAL CIRCUIT DIAGRAM		CHAPTER 2	
THIS PRINT IS PROVIDED ON A RESTRICTED BASIS AND IS NOT TO BE USED IN ANY WAY DETRIMENTAL TO THE INTEREST OF NAVISTAR, INC.				ELECTRICAL FUSE PANEL - PRODUCT GRAPHICS (CONT)			

POWER RELAYS				
POWER RELAY BLOCK #	RELAY NAME	RELAY PART #	MAX CONTINUOUS CURRENT	DESCRIPTION
10314	NS1	3536072C1	70A	NOISE SUPPRESSION RELAY 1
10315	NS2	3536072C1	70A	NOISE SUPPRESSION RELAY 2
10316	NS3	3536072C1	70A	NOISE SUPPRESSION RELAY 3
10317	NS4	3536072C1	70A	NOISE SUPPRESSION RELAY 4
10318	MD1	3536072C1	70A	MASTER DISCONNECT RELAY 1
10319	MD2	3536072C1	70A	MASTER DISCONNECT RELAY 2
10320	MD3	3536072C1	70A	MASTER DISCONNECT RELAY 3
10321	IGN	3536072C1	70A	IGNITION RELAY
10322	ACC1	3536072C1	70A	ACCESSORY RELAY 1
10323	ACC2	3536072C1	70A	ACCESSORY RELAY 2

POSITION	SUPPLY CIRCUIT	FUSE VALUE	DESCRIPTION
FUSE BLOCK #10301			
DESCRIPTION			
F1	NS1	25A	DEFROST STEPWELL FLOOR HTR
F2	NS1	20A	DEFROST STEPWELL FLOOR HTR
F3	NS1	7.5A	CONVECTION HEATERS
F4	NS2	25A	LEFT MIDSHIP HEATER 1ST POSITION
F5	NS2	7.5A	DEFOG FAN RIGHT SW
F6	NS2	20A	CENTER BLOWER RIGHT SWITCH
F7	NS2	7.5A	POWER VENT REAR
F8	NS2	7.5A	RADIO POWER
F9	NS2	25A	RIGHT MIDSHIP HEATER 1ST POSITION
F10	NS2	7.5A	POWER VENT FRONT
F11	NS4	15A	ADDITIONAL DRIVERS HEATER
F12	NS3	20A	RIGHT REAR WALL HEATER
F13	NS3	25A	RIGHT MIDSHIP HEATER 2ND POSITION
F14	NS3	15A	RIGHT REAR HEATER
F15	NS3	15A	DRIVERS DEFOG BLOWER
F16	NS4	7.5A	DEFOG FAN LEFT SWITCH
F17	NS4	15A	DEFOG FAN (X2) LEFT SWITCH
F18	NS4	20A	CENTER BLOWER LEFT SWITCH
FUSE BLOCK #10302			
F19	NS3	20A	LEFT REAR WALL HEATER
F20	NS3	25A	RIGHT REAR WALL HEATER
F21	NS3	25A	LEFT MIDSHIP HEATER 2ND POSITION
F22	NS3	25A	LEFT REAR HEATER
F23	MD1	15A	PUPIL WARNING LIGHTS OVERRIDE
F24	MD1	10A	DESTINATION SIGNS
F25	MD2	25A	STEP HEATER (SINGLE OR DUAL)
F26	MD1	15A	DOME LIGHTS STANDARD
F27	MD1	15A	PUPIL WARNING LIGHTS MASTER
F28	MD2	10A	HEATED MIRRORS
F29	MD1	7.5A	STORE LIGHT
F30	MD1	20A	SANDERS/TRACTION CHAINS
F31	MD3	20A	TWO-WAY RADIO TERMINAL STRIP
F32	MD2	-	SEE CIRCUIT DIAGRAM
F33	MD2	10A	VIDEO SYSTEM
F34	MD2	20A	VIDEO SYSTEM TERMINAL STRIP
FUSE BLOCK #10303			
F35	MD3	15A	EDG LIGHTS
F36	HOT	3A	PTI - CHILD CHECK MATE
F37	HOT	15A	PTI - CRS - HEADLIGHTS
F38	HOT	3A	PTI - BUS SGAN
F39	HOT	3A	PTI - CHILD CHECK MATE
F40	HOT	10A	PTI - CRS - DOME LIGHTS
F41	HOT	15A	PUPIL WARNING LIGHTS OVERRIDE
F42	HOT	15A	FUEL FIBED HEATER
F43	HOT	10A	CLEARANCE (CL) LIGHTS
F44	HOT	7.5A	LIFT INTERLOCK
F45	HOT	7.5A	ENTRANCE DOOR
F46	HOT	7.5A	LIFT LIGHTS
F47	HOT	7.5A	LUGGAGE BOX LIGHTS
F48	HOT	5A	RADIO MEMORY
F49	HOT	7.5A	ENGINE COMPARTMENT LIGHTS

POSITION	SUPPLY CIRCUIT	FUSE VALUE	DESCRIPTION
FUSE BLOCK #10304			
DESCRIPTION			
F49	HOT	10A	HAZARD LIGHTS
F50	HOT	7.5A	FRONT STRIP ARM/CROSSING GATE
F51	HOT	10A	LIFT INTERLOCK
F52	HOT	15A	DOME LIGHTS (HOT)
F53	IGN	7.5A	BACK-UP LIGHTS - ACT BY REAR K/O WDO
F54	IGN	7.5A	STARTER INTERLOCK
F55	ACC2	10A	MOTORIZED MIRRORS
F56	IGN	7.5A	ALTERNATE AIR ENTRANCE DOOR
F57	IGN	7.5A	AIR ENTRANCE DOOR
F58	IGN	10A	ELECTRIC ENTRANCE DOOR
F59	ACC2	3A	PTI - BUS SGAN
F60	ACC2	3A	PTI - CHECK MATE
F61	ACC2	15A	PTI - CRS
F62	ACC2	3A	ENGINE ELECTRICAL PANEL TEMP SENSOR
F63	ACC2	3A	BATTERY ISOLATOR
FUSE BLOCK #10305			
F64	ACC1	7.5A	EMERGENCY EXIT ALARMS
F65	ACC1	7.5A	FRONT CLUSTER LIGHTS
F66	ACC1	7.5A	EMERGENCY EXIT LIGHTS
F67	ACC1	-	SEE CIRCUIT DIAGRAM
F68	ACC1	7.5A	PEDESTRIAN LIGHTS
F69	ACC1	7.5A	CROSSING GATE MAGNET
F70	ACC1	7.5A	HEATED WIPER BLADES
F71	ACC1	7.5A	FUEL FIBED HEATER - 7 DAY TIMER
F72	ACC1	7.5A	LIGHT MONITOR
F73	ACC2	10A	STEP LIGHT
F74	ACC2	-	SEE CIRCUIT DIAGRAM
F75	ACC2	-	SEE CIRCUIT DIAGRAM
FUSE BLOCK #10306-F1			
F76	NS4	2A	AIR HORN
F77	-	-	-
F78	-	-	-
F79	NS4	-	SEE CIRCUIT DIAGRAM
F80	NS4	-	-
F81	NS4	-	-
F82	MD3	15A	BOOSTER PUMP
F83	MD3	-	-
F84	MD3	-	-
F85	IGN	-	SEE CIRCUIT DIAGRAM
F86	IGN	-	-
FUSE BLOCK #10306-F2			
F87	-	-	SEE CIRCUIT DIAGRAM
F88	HOT	-	-
F89	HOT	-	-
F90	-	-	-
F91	HOT	-	-
F92	HOT	-	-
F93	HOT	-	-
F94	-	-	SEE CIRCUIT DIAGRAM
F95	-	-	-
F96	-	-	-
F97	-	-	-
F98	-	-	-
F99	-	-	-
F100	-	-	-

CHK	DATE	CHANGE	REV	REFERENCE	DRAWN	NAME
MJVO	03/11/17	INITIAL RELEASE.	A	93784R	MJV0863	CIRCUIT DIAGRAM, RE BUS - CHASSIS
					RELEASE NO.	DATE
					93784R	21MAR17
					PART NO.	SHEET
					AE08085133	021

Figure 21 Electrical Fuse Panel

2.22. PLATFORM HARNESS FUSE PANEL, P. 22

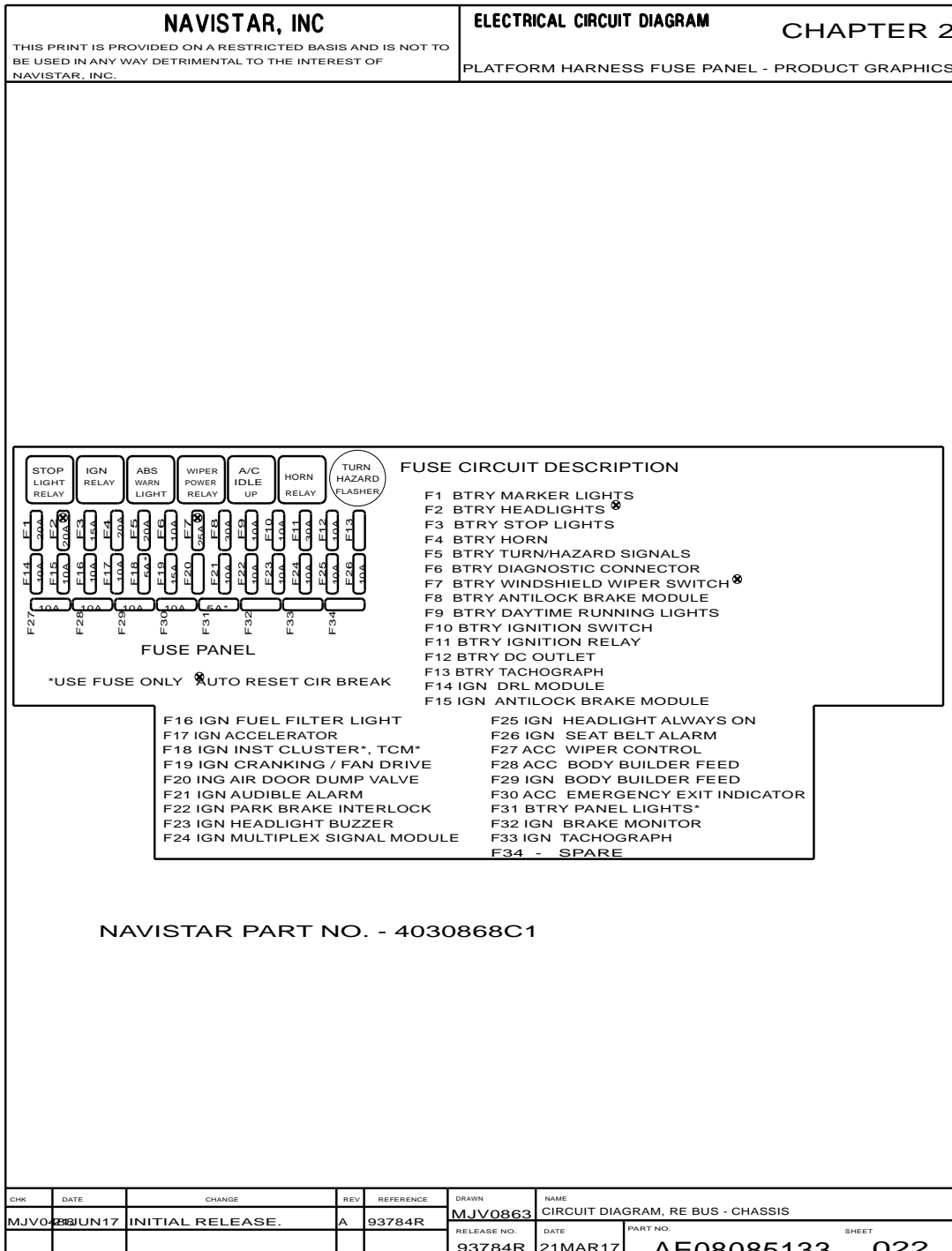


Figure 22 Platform Harness Fuse Panel

12 VOLT POWER DISTRIBUTION, GROUNDS, DATA BUS AND ELECTRICAL SYSTEM CONTROLLER (CHAPTER 3)

3.1. BATTERY FEED, P. 1

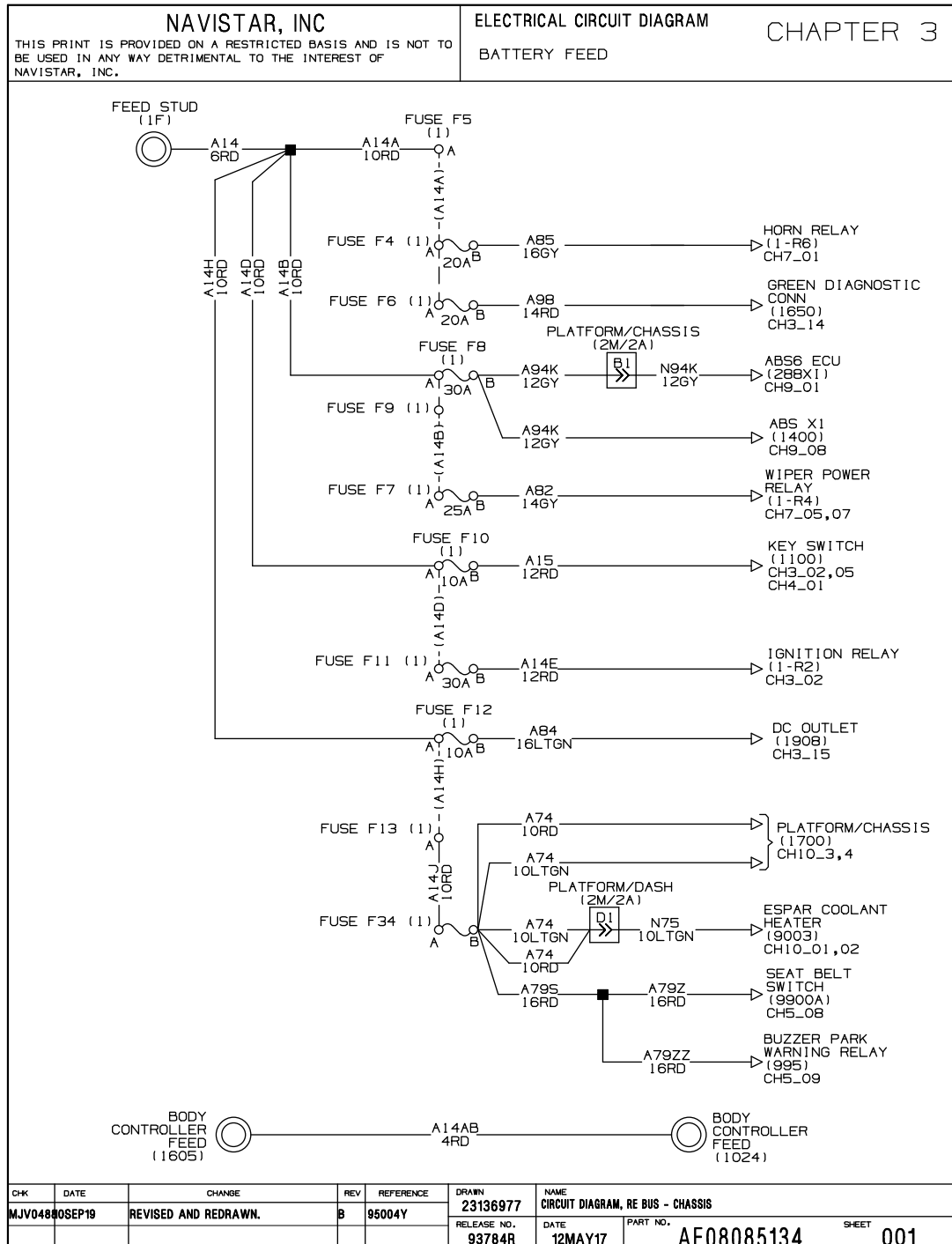


Figure 23 Battery Feed

3.2. IGNITION FEED, P. 2

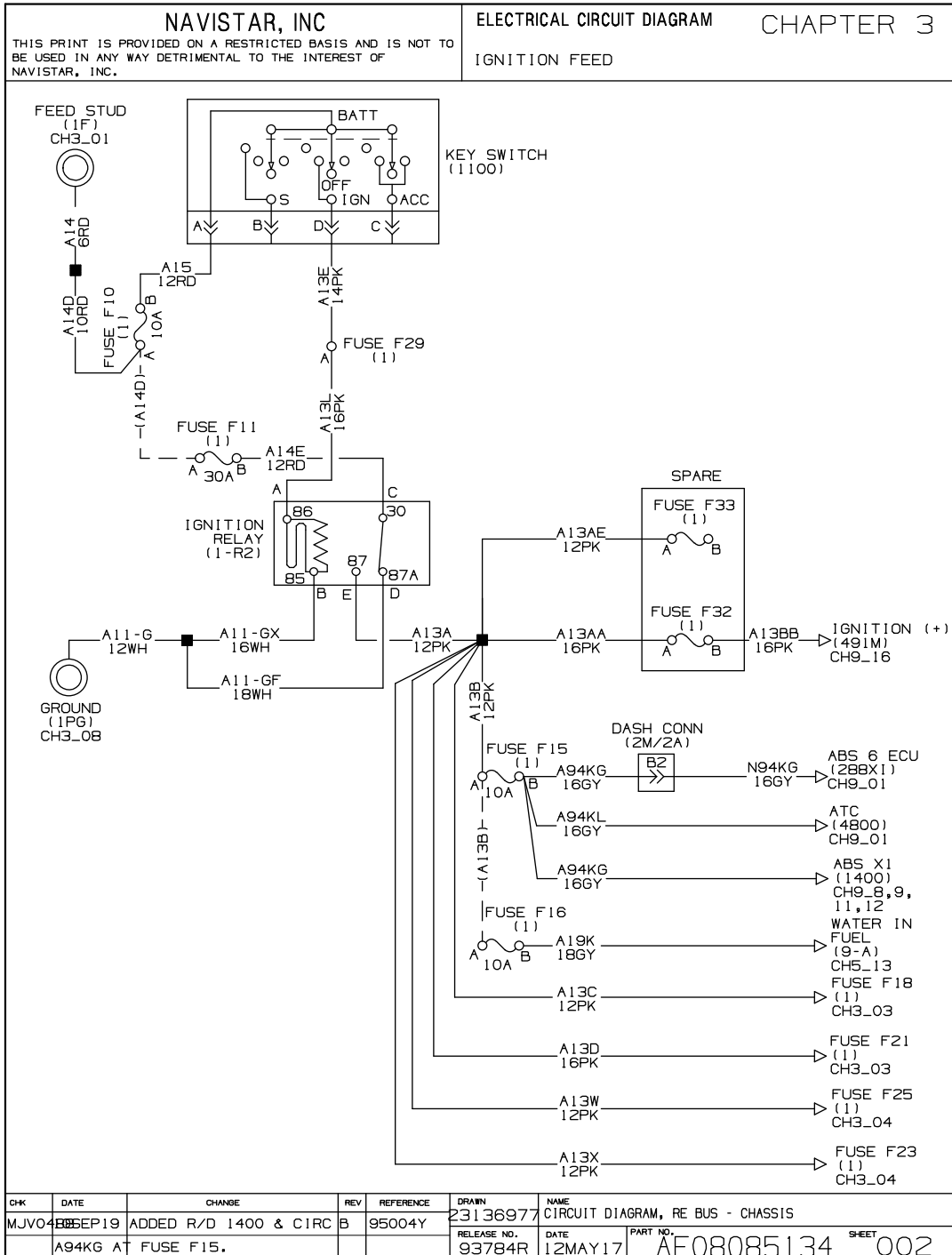


Figure 24 Ignition Feed

3.3. IGNITION FEED (CONT.), P. 3

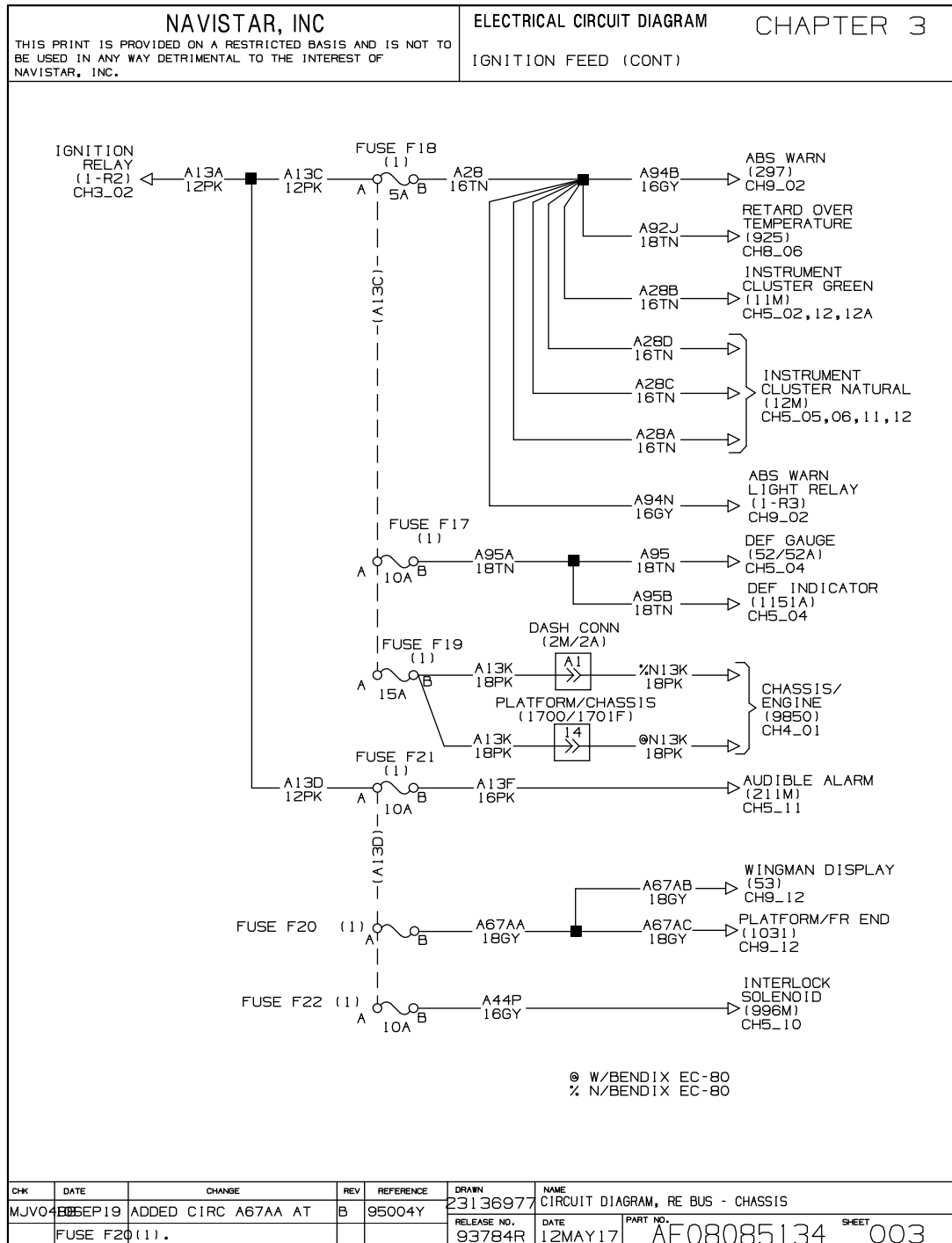


Figure 25 Ignition Feed (Cont.)

3.4. IGNITION FEED (CONT.), P. 4

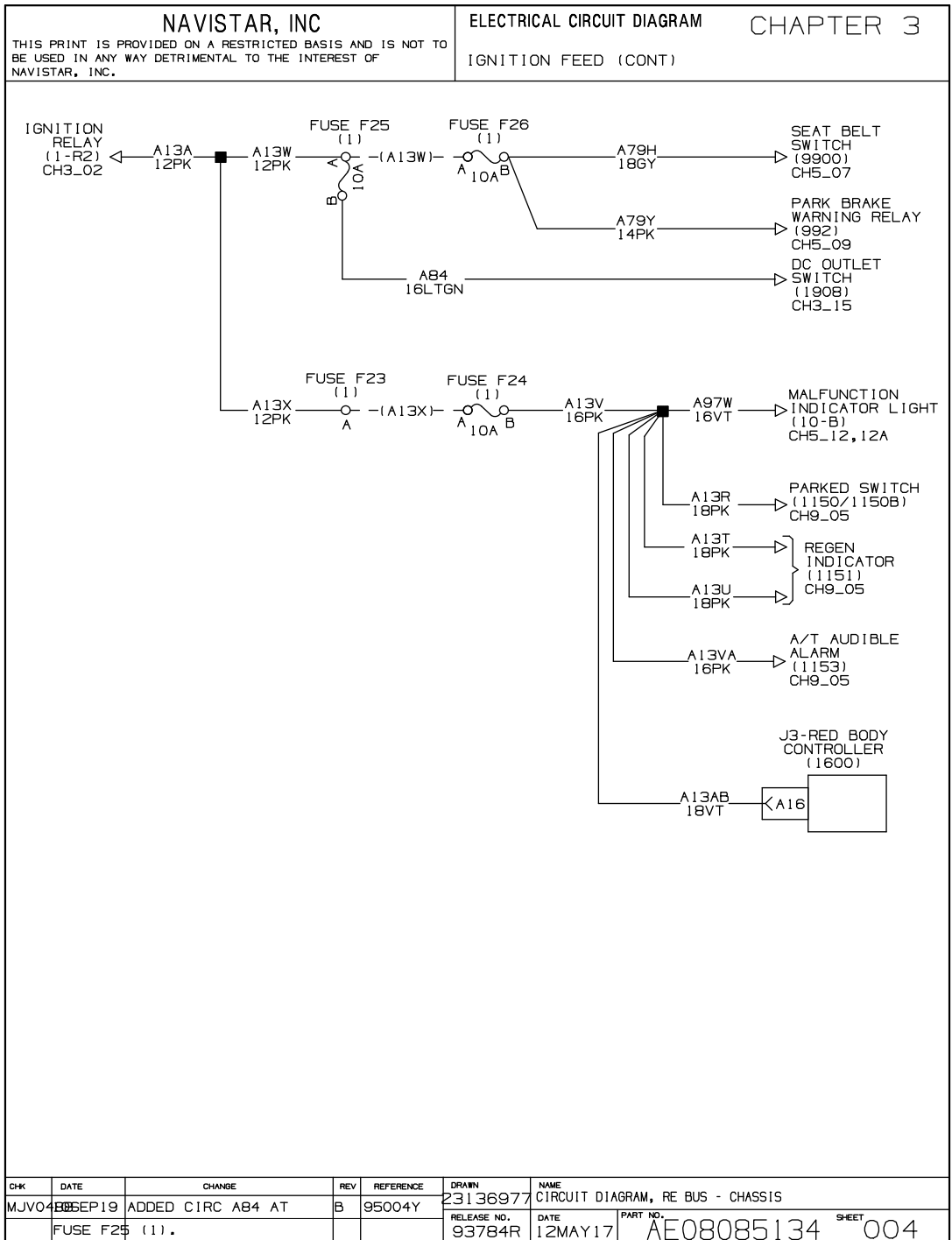


Figure 26 Ignition Feed (Cont.)

3.5. ACCESSORY FEED, P. 5

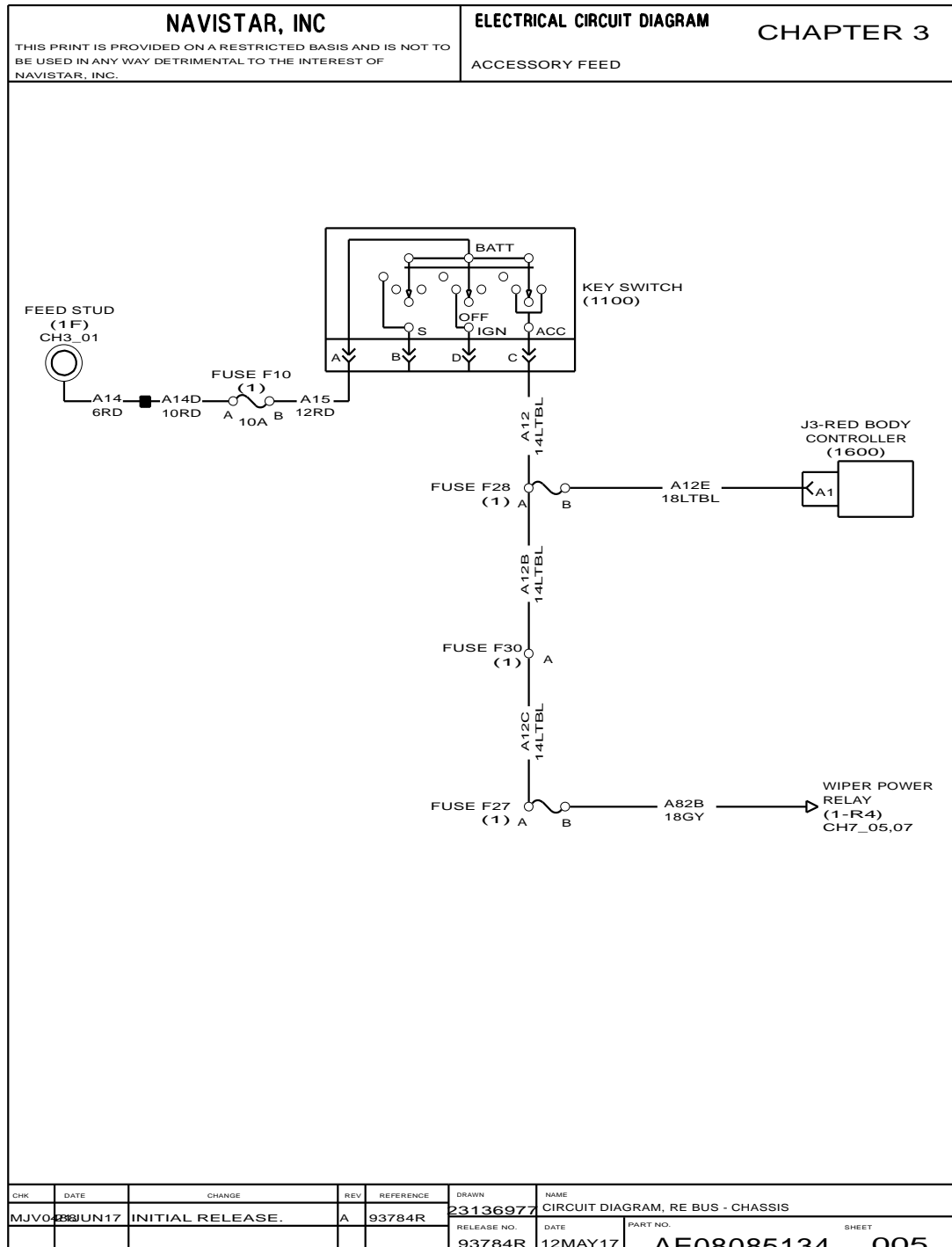


Figure 27 Accessory Feed

3.6. J1939 DATA LINK W/500K W/DEF GAUGE W/F 2017 ISL ENGINE, P. 6

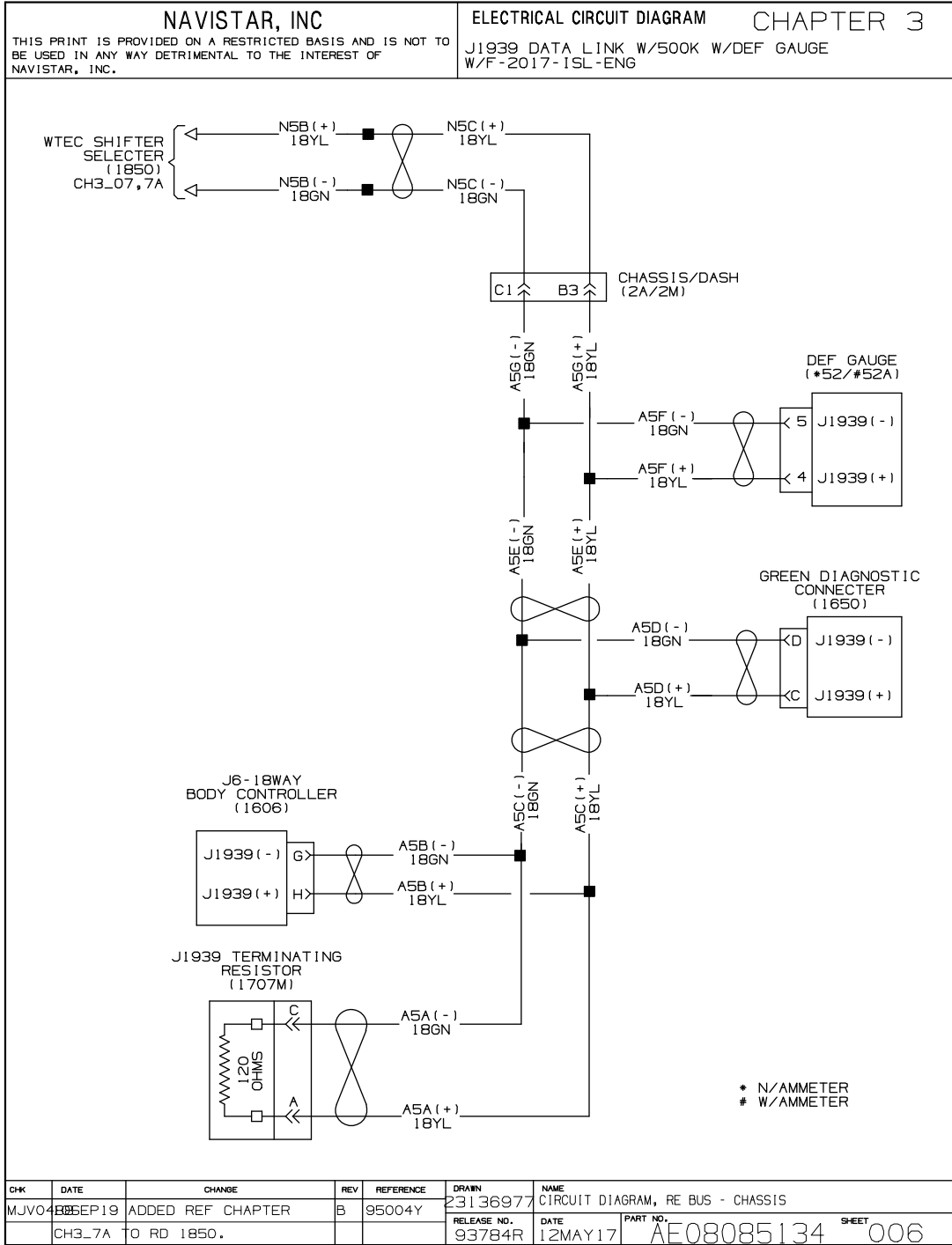


Figure 28 J1939 Data Link w/500k w/DEF Gauge w/F 2017 ISL Engine

3.7. J1939 DATA LINK W/500K W/ALLISON TRANSMISSION W/F 2017 ISL ENGINE, P. 7

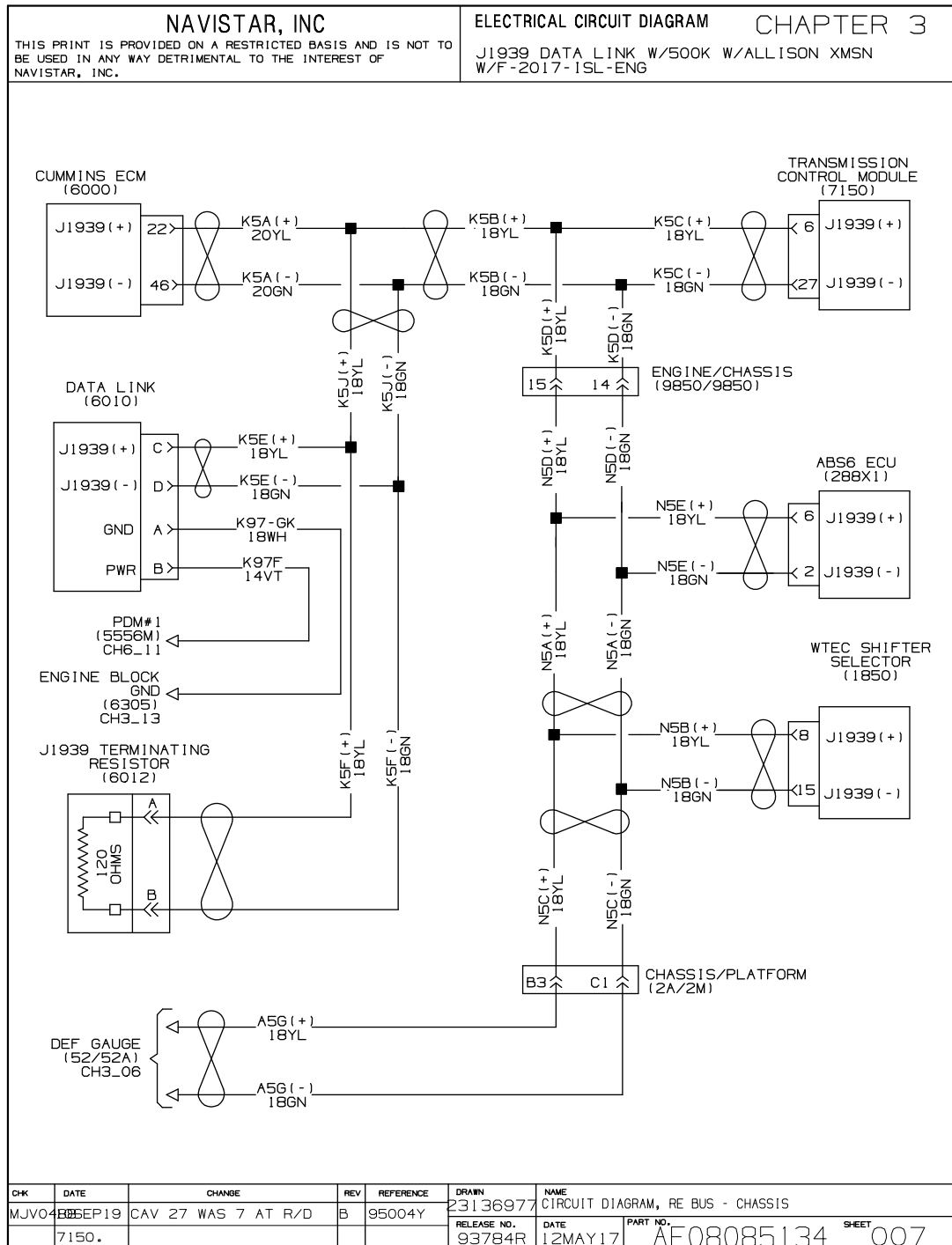


Figure 29 J1939 Data Link w/500k w/Allison Transmission w/F 2017 ISL Engine

3.8. J1939 DATA LINK W/500K W/ALLISON TRANSMISSION W/ELEX ENGINE GAUGE W/F 2017 ISL ENGINE, P. 7A

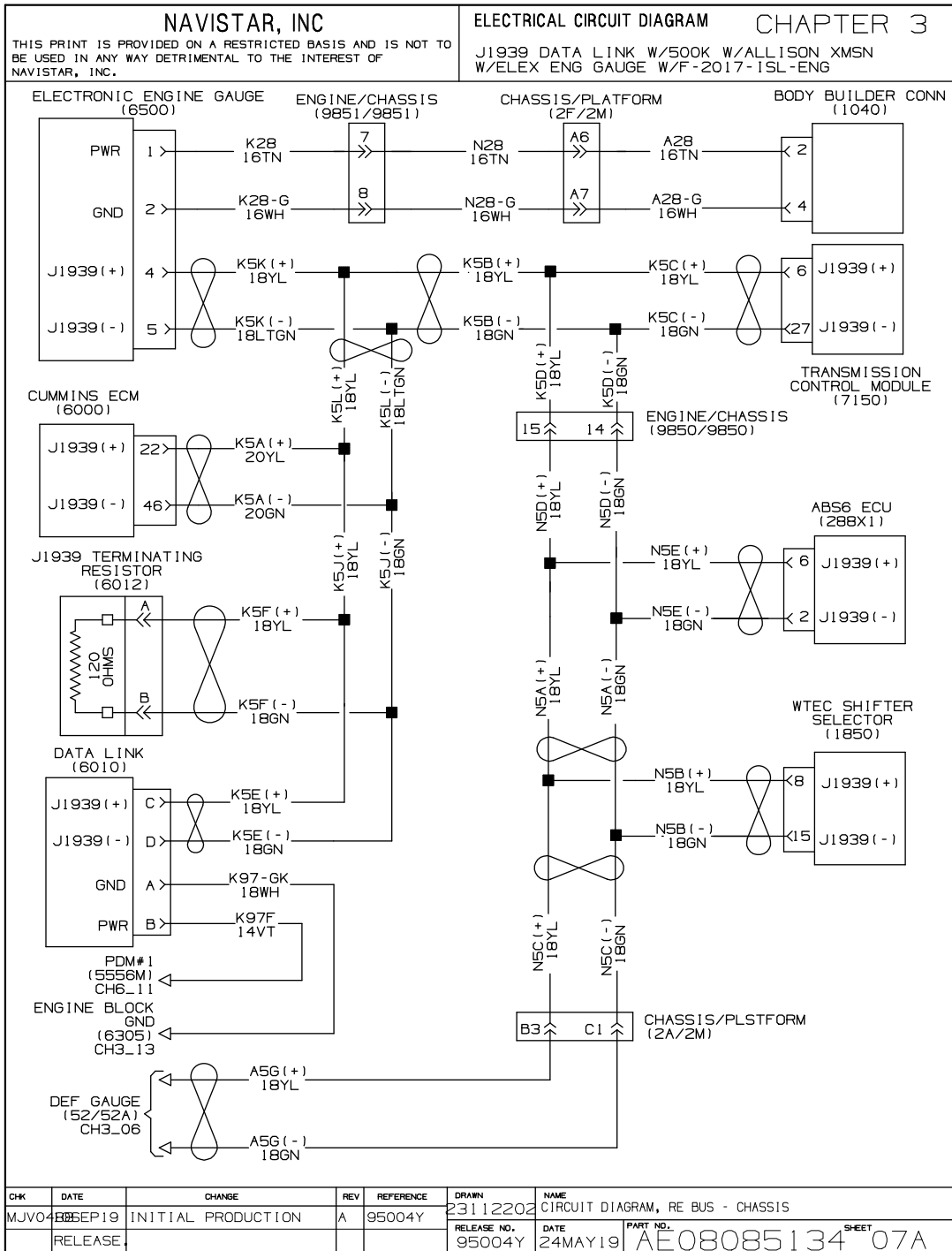


Figure 30 J1939 Data Link w/500k w/Allison Transmission w/ELEX Engine Gauge w/F 2017 ISL Engine

3.9. ELEX ENGINE GAUGE W/BENDIX EC-80, P. 7B

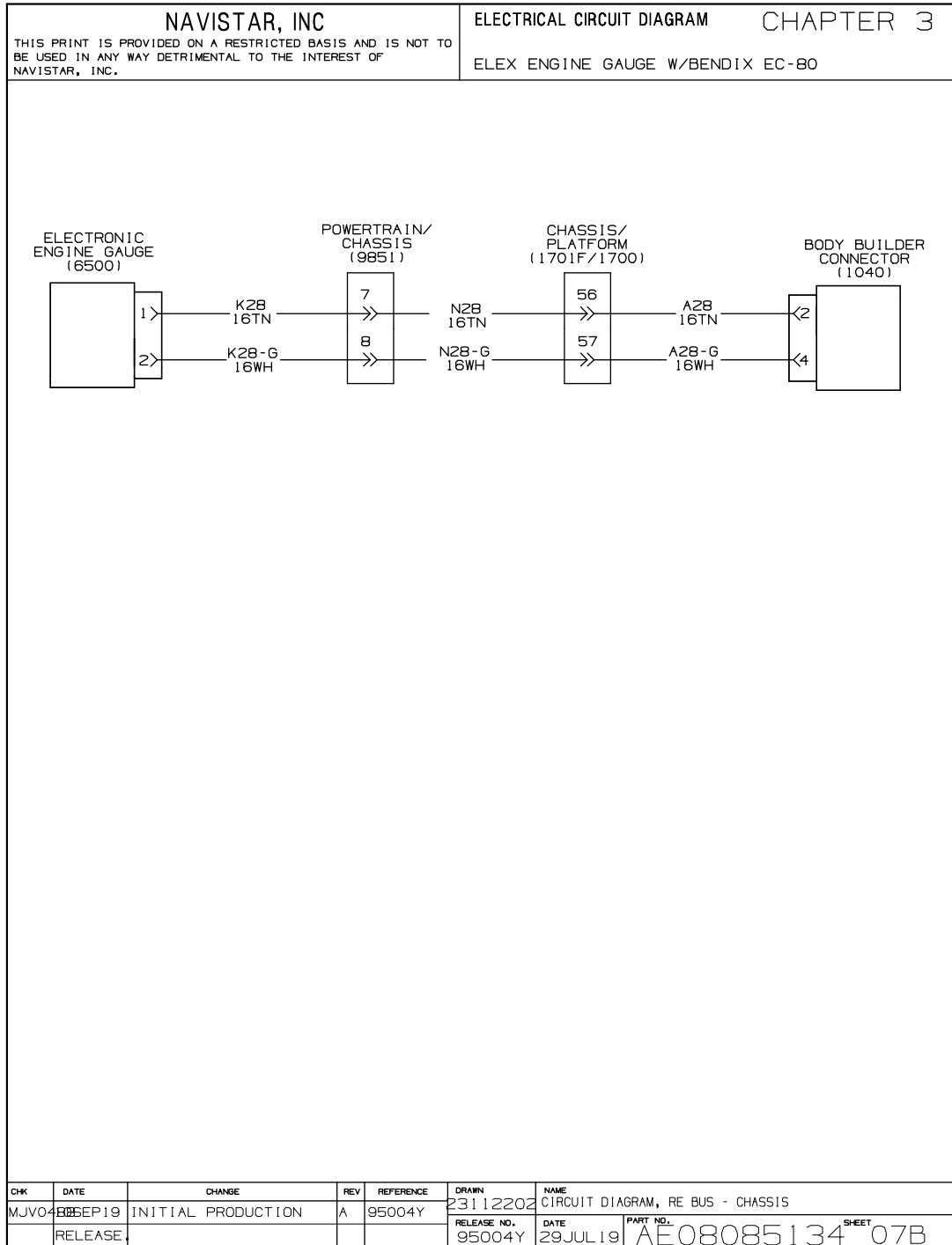


Figure 31 Elex Engine Gauge w/Bendix EC-80

3.10. GROUND PLATFORM, P. 8

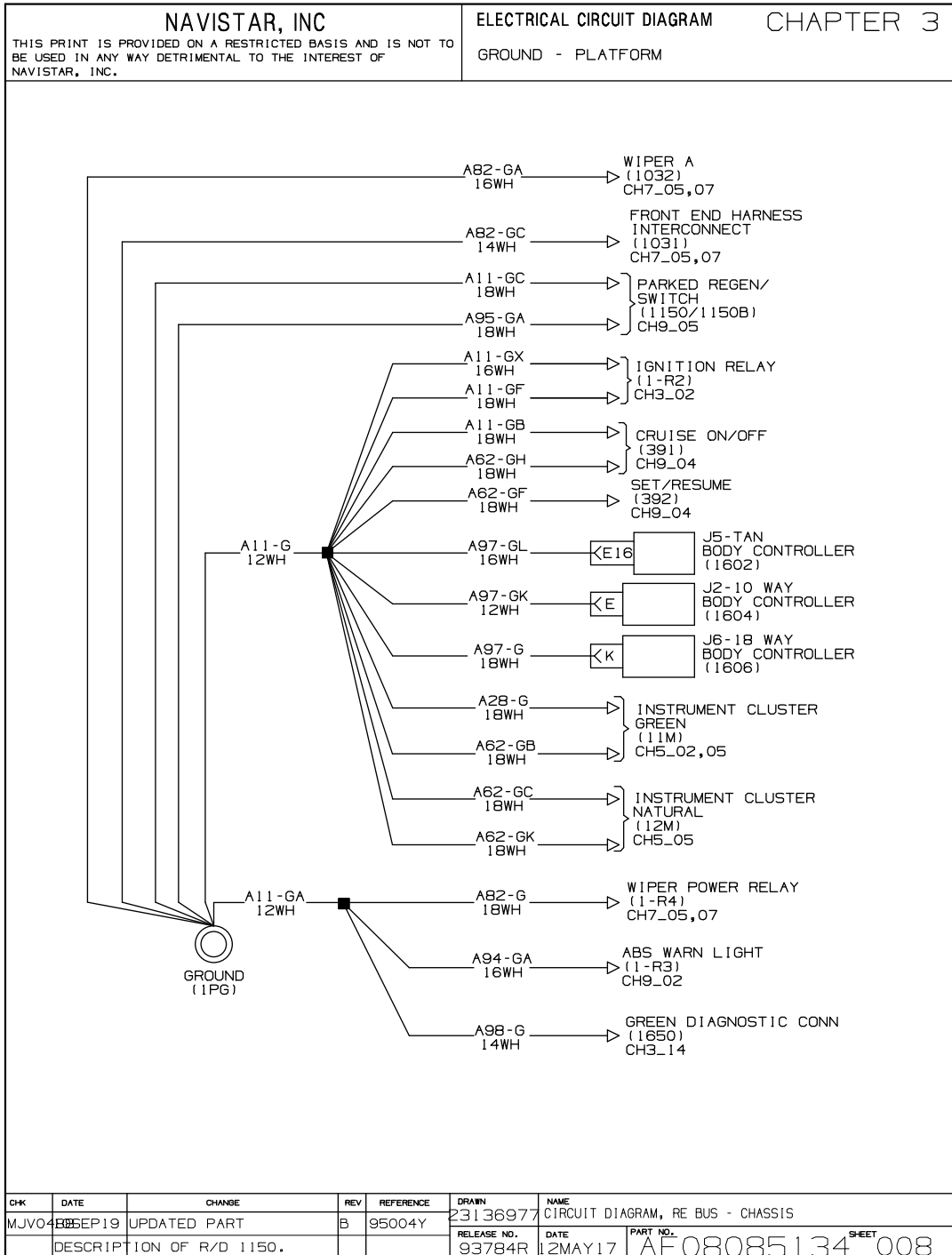


Figure 32 Ground Platform

3.11. GROUND PLATFORM (CONT.), P.9

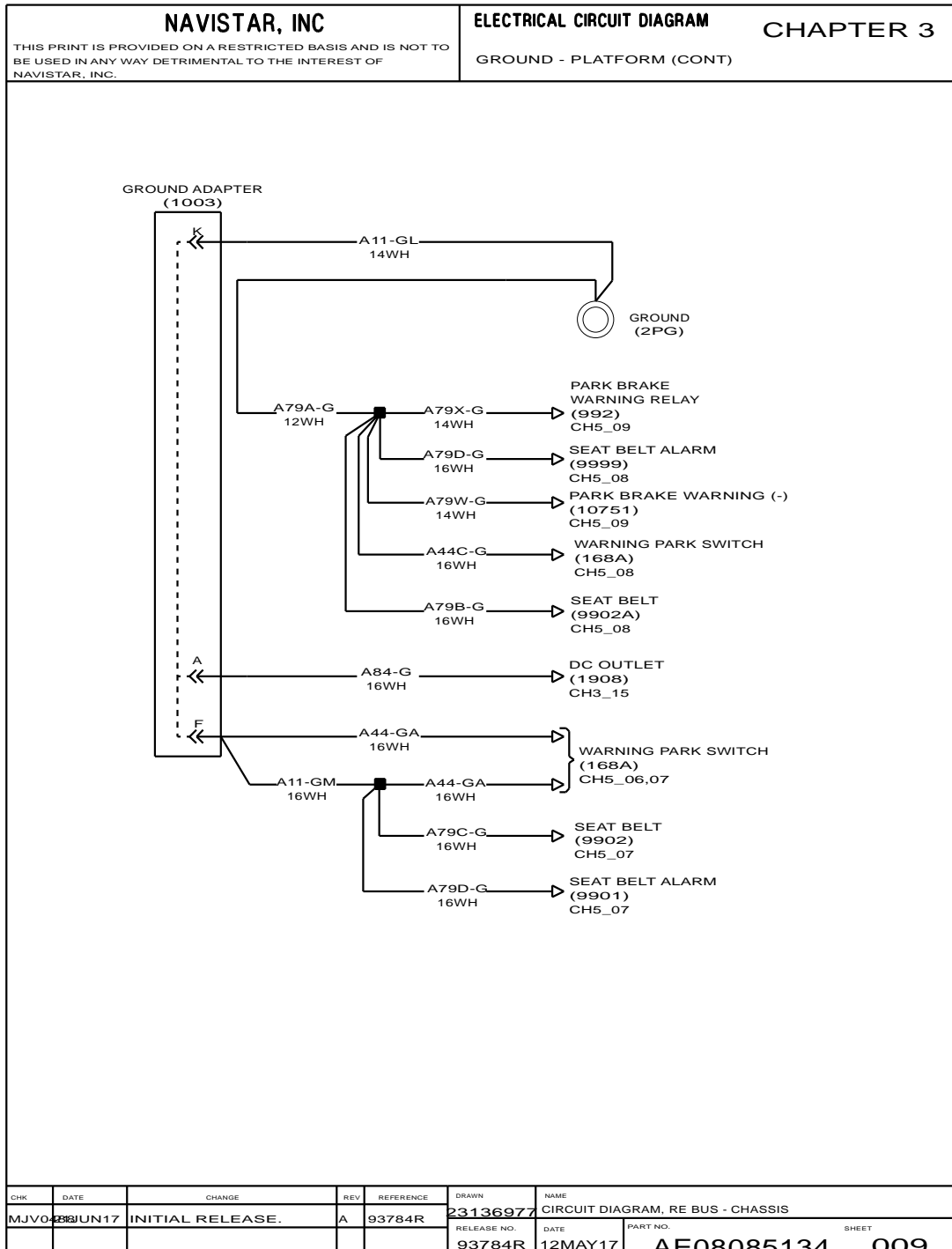


Figure 33 Ground Platform (Cont.)

3.12. GROUND PLATFORM (CONT.), P.10

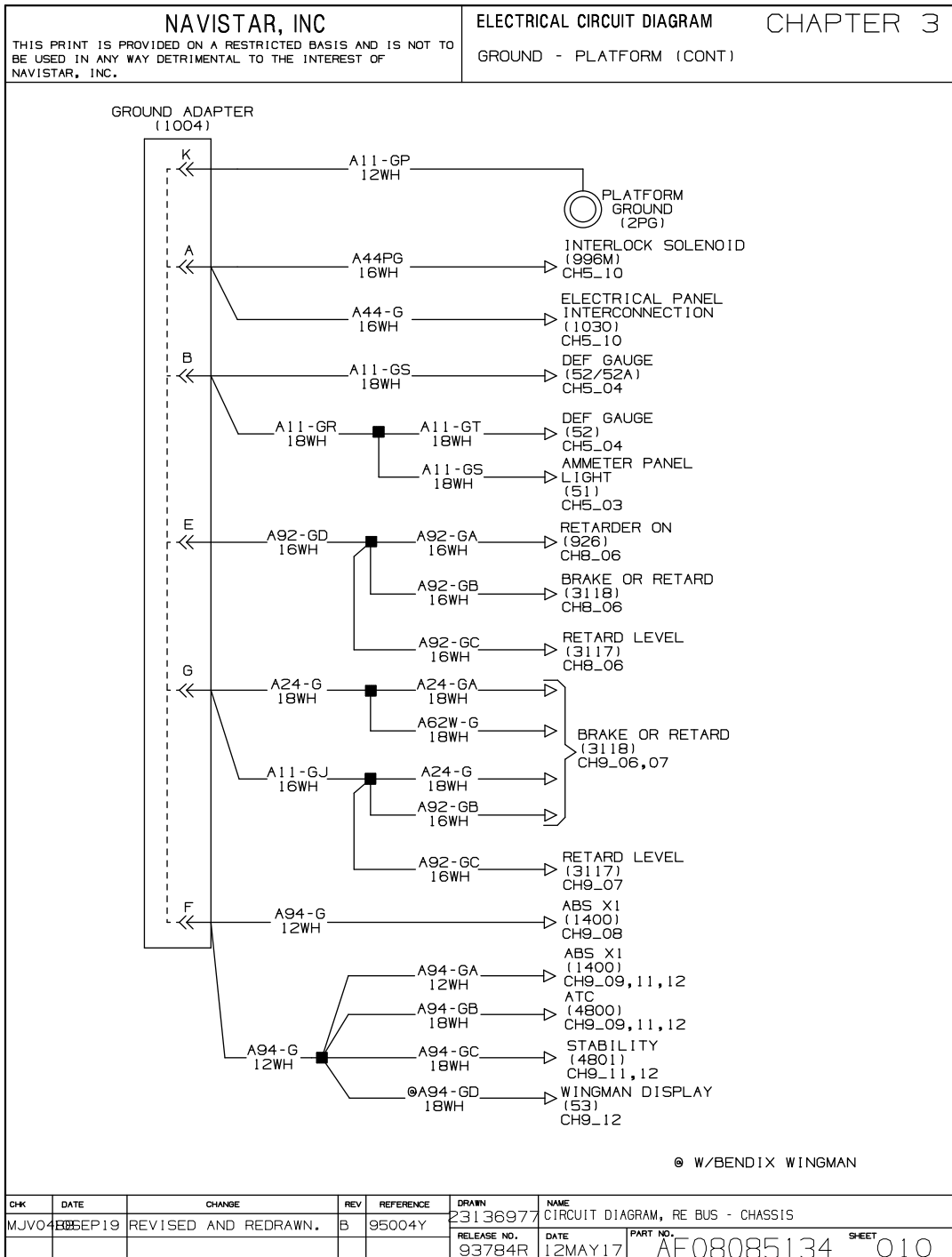


Figure 34 Ground Platform (Cont.)

3.13. GROUND CHASSIS, P. 11

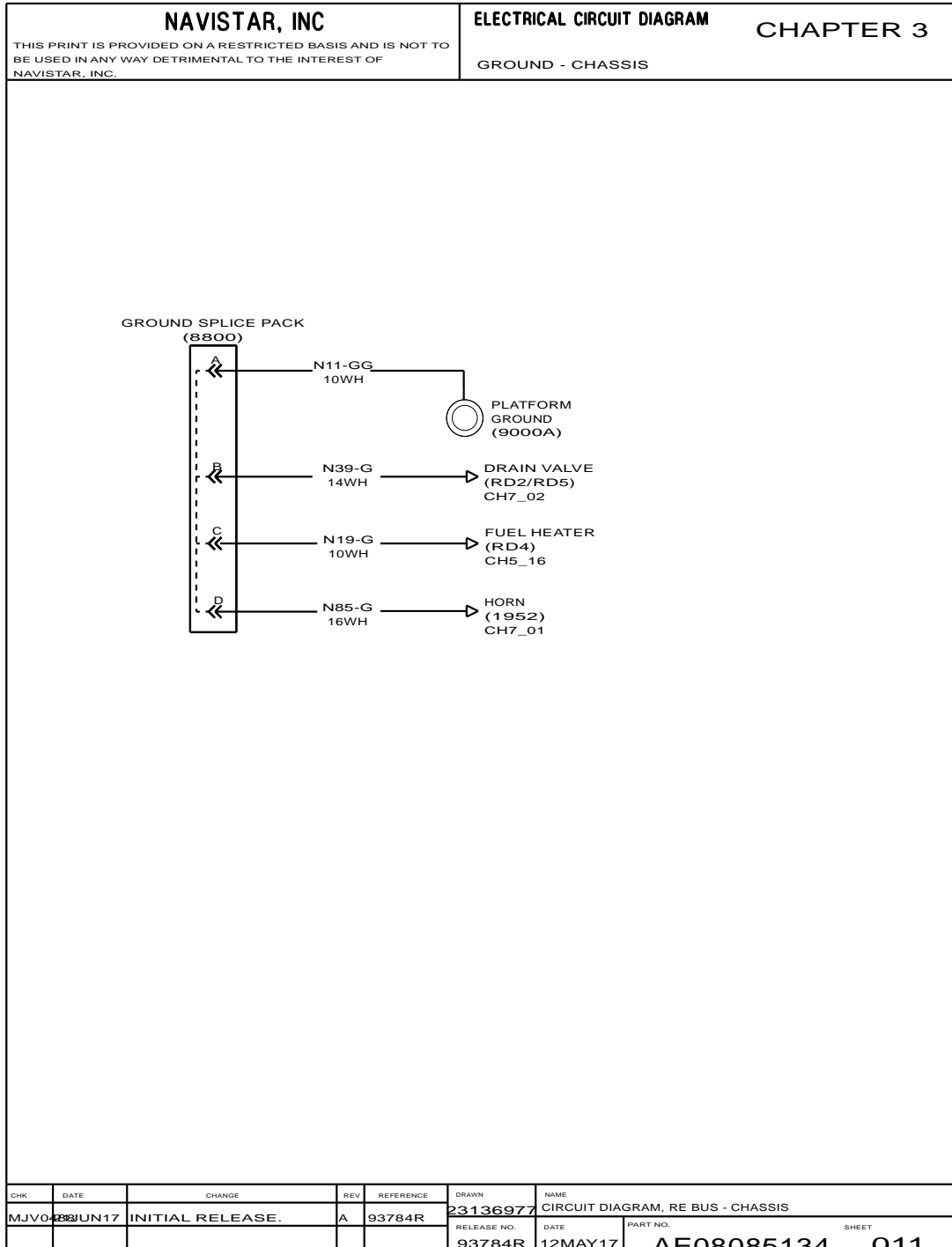


Figure 35 Ground Chassis

3.14. GROUND ENGINE W/ F 2017 ISL ENGINE, P. 12

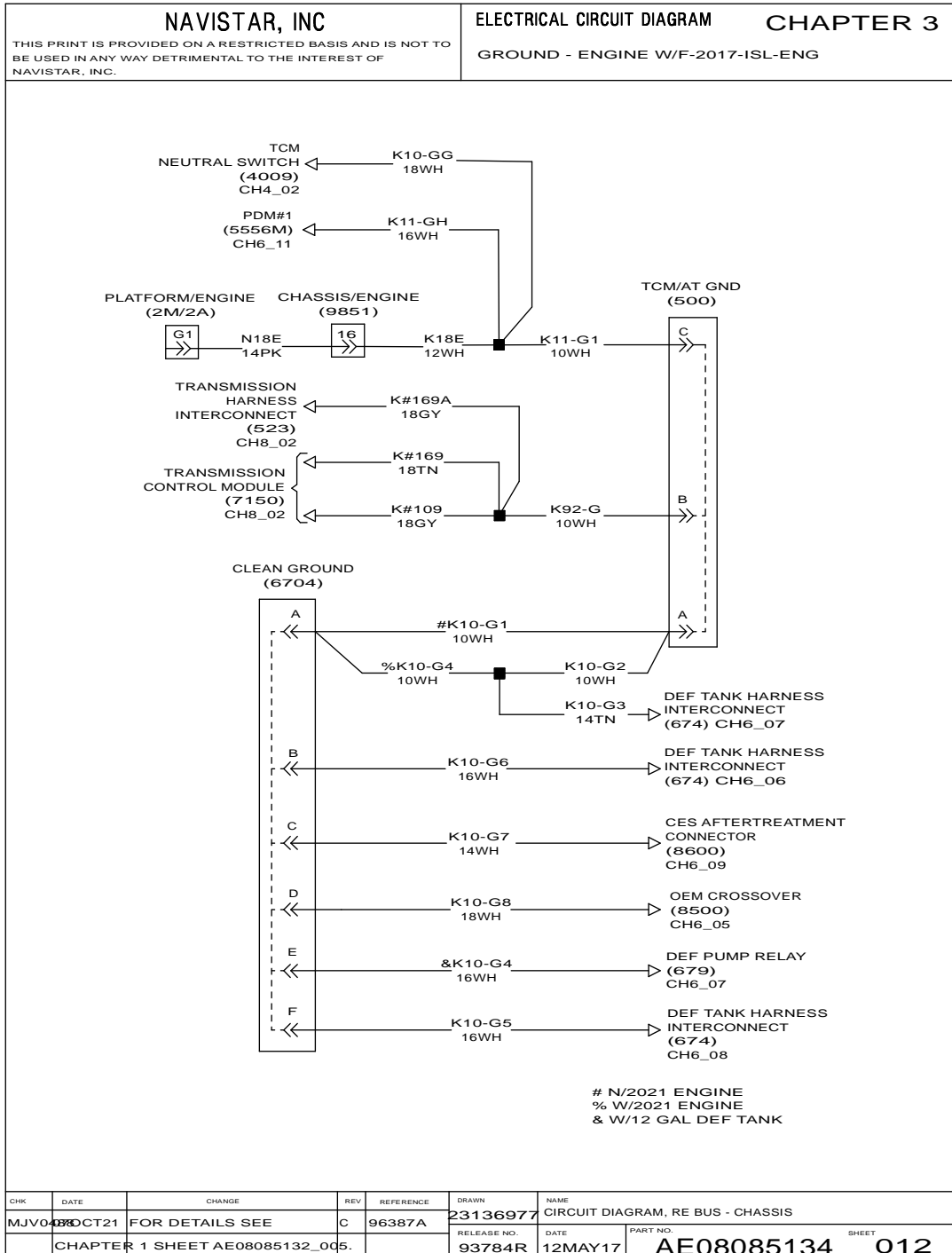


Figure 36 Ground Engine w/ F 2017 ISL Engine

3.15. GROUND ENGINE W/ F 2017 ISL ENGINE (CONT.), P. 13

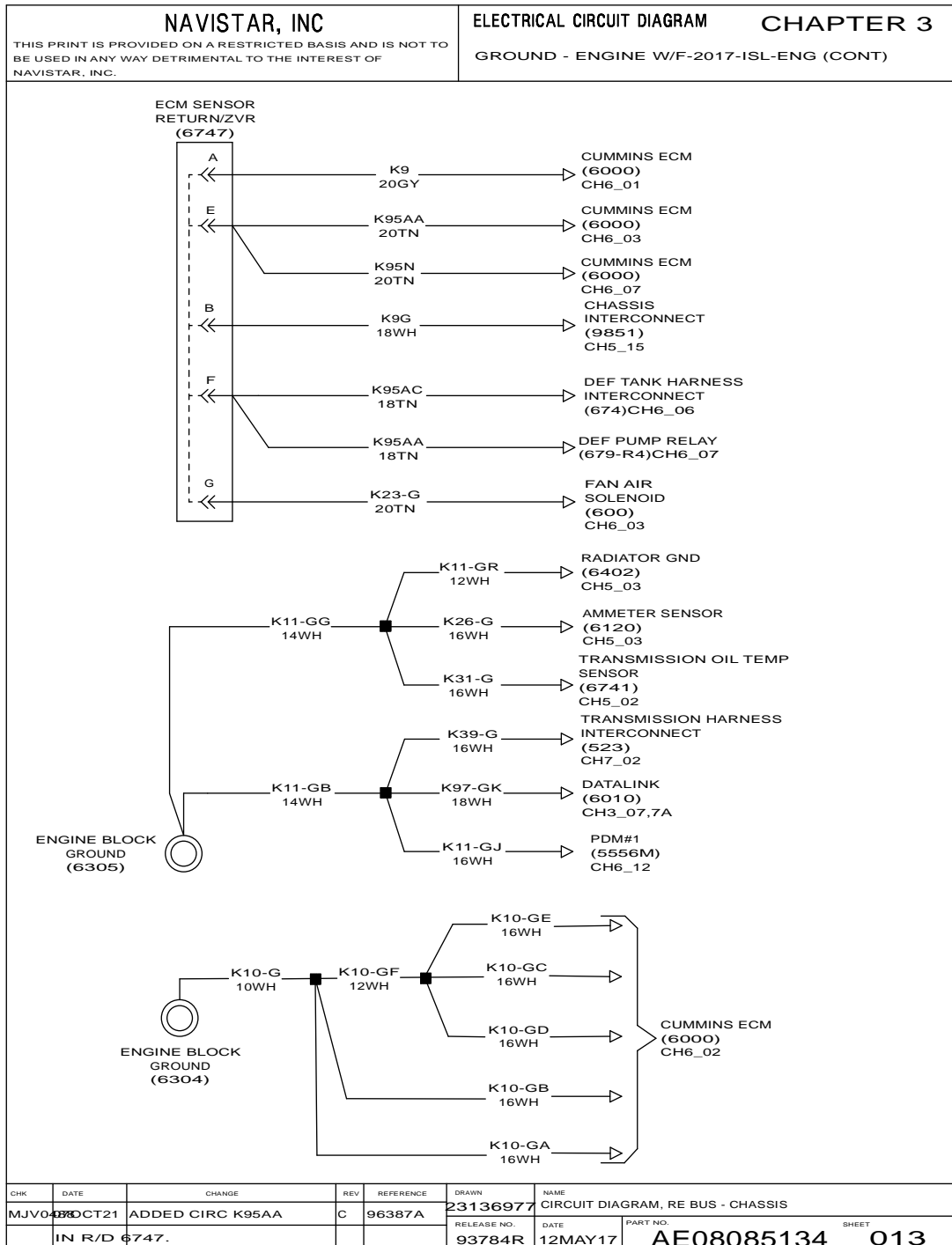


Figure 37 Ground Engine w/ F 2017 ISL Engine (Cont.)

3.16. DIAGNOSTIC CONNECTIONS, P. 14

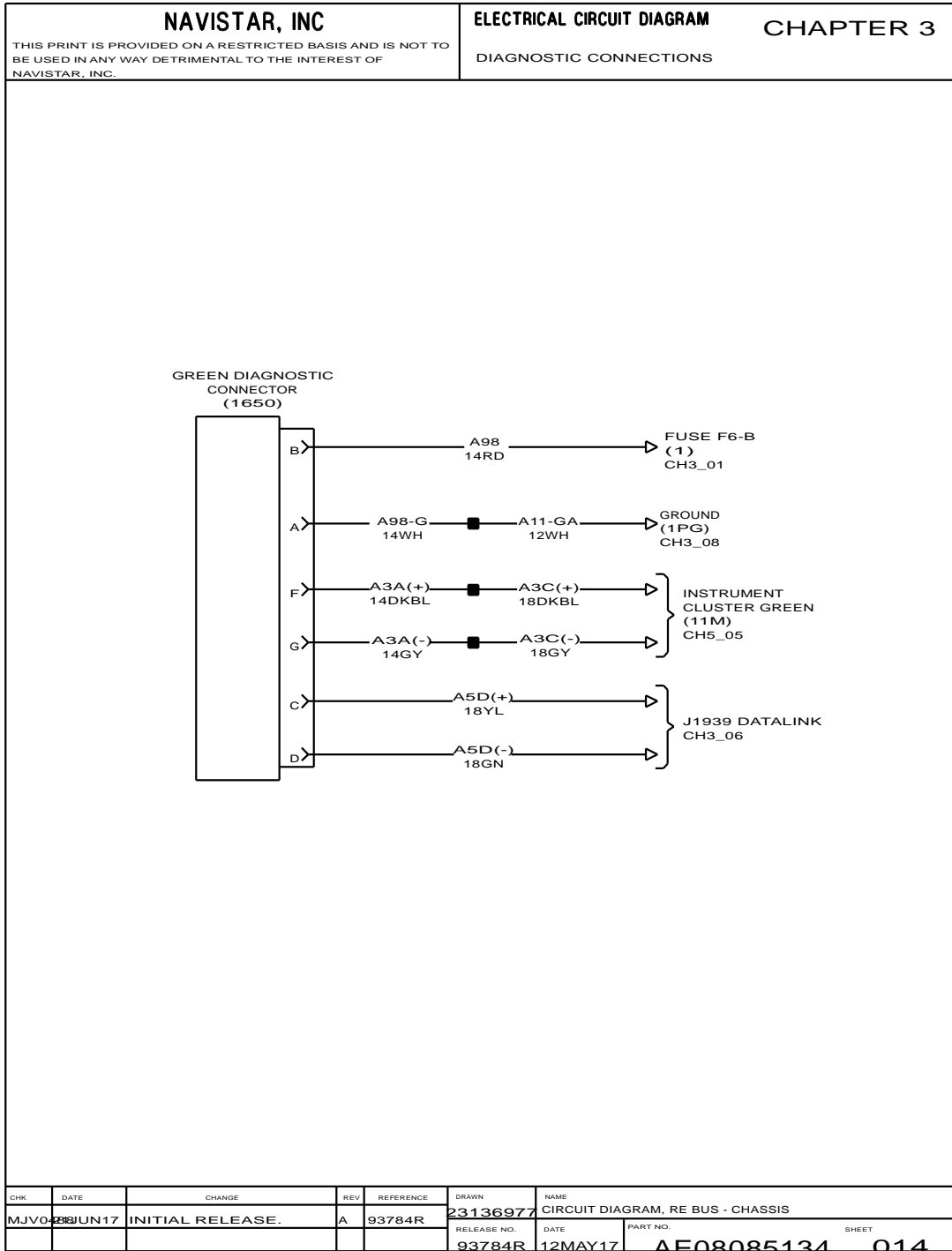


Figure 38 Diagnostic Connections

3.17. DC OUTLET, P. 15

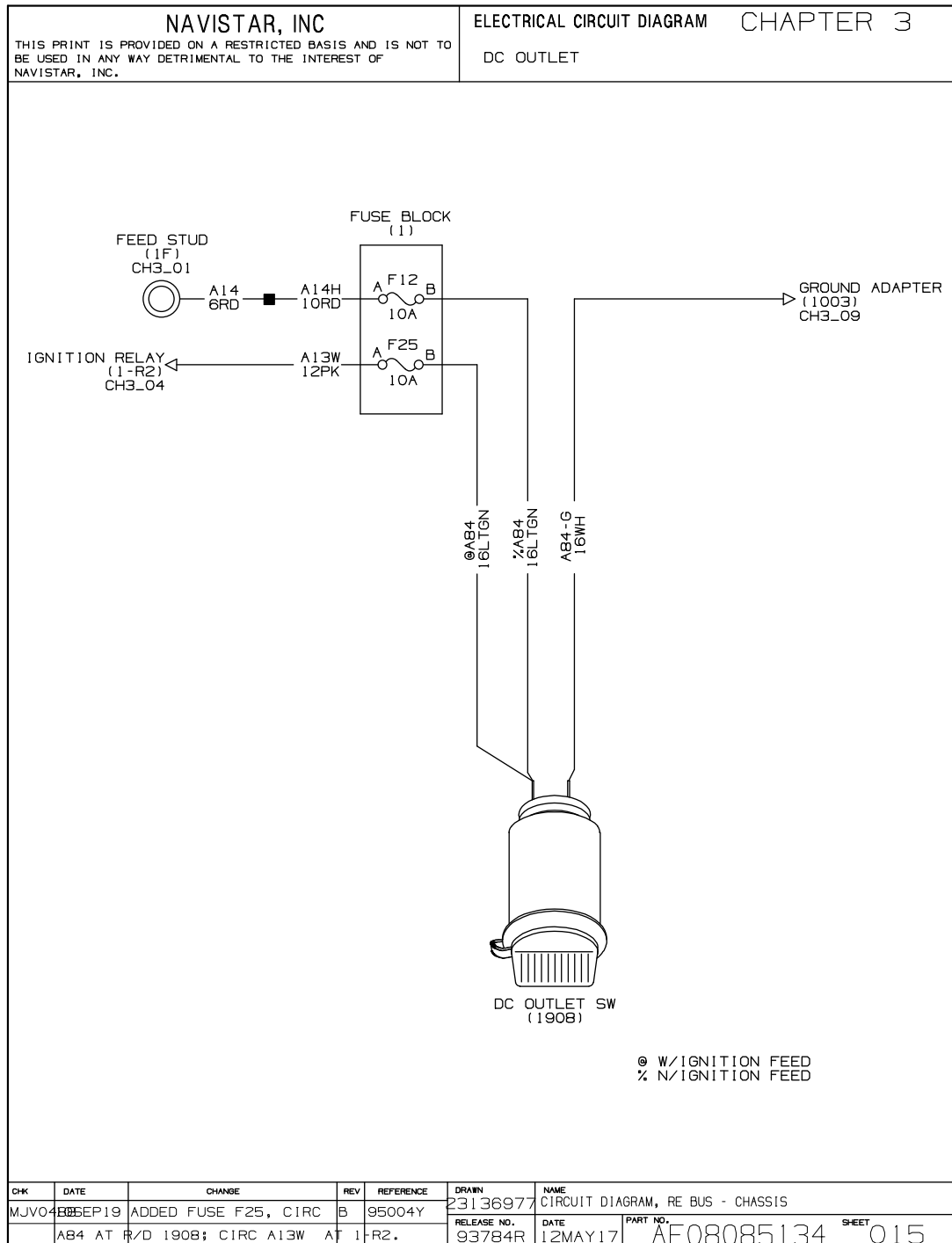


Figure 39 DC Outlet

3.18. J1939 DATALINK W/DEF GAUGE LOC2 W/BENDIX EC-80 W/ WINGMAN, P. 16

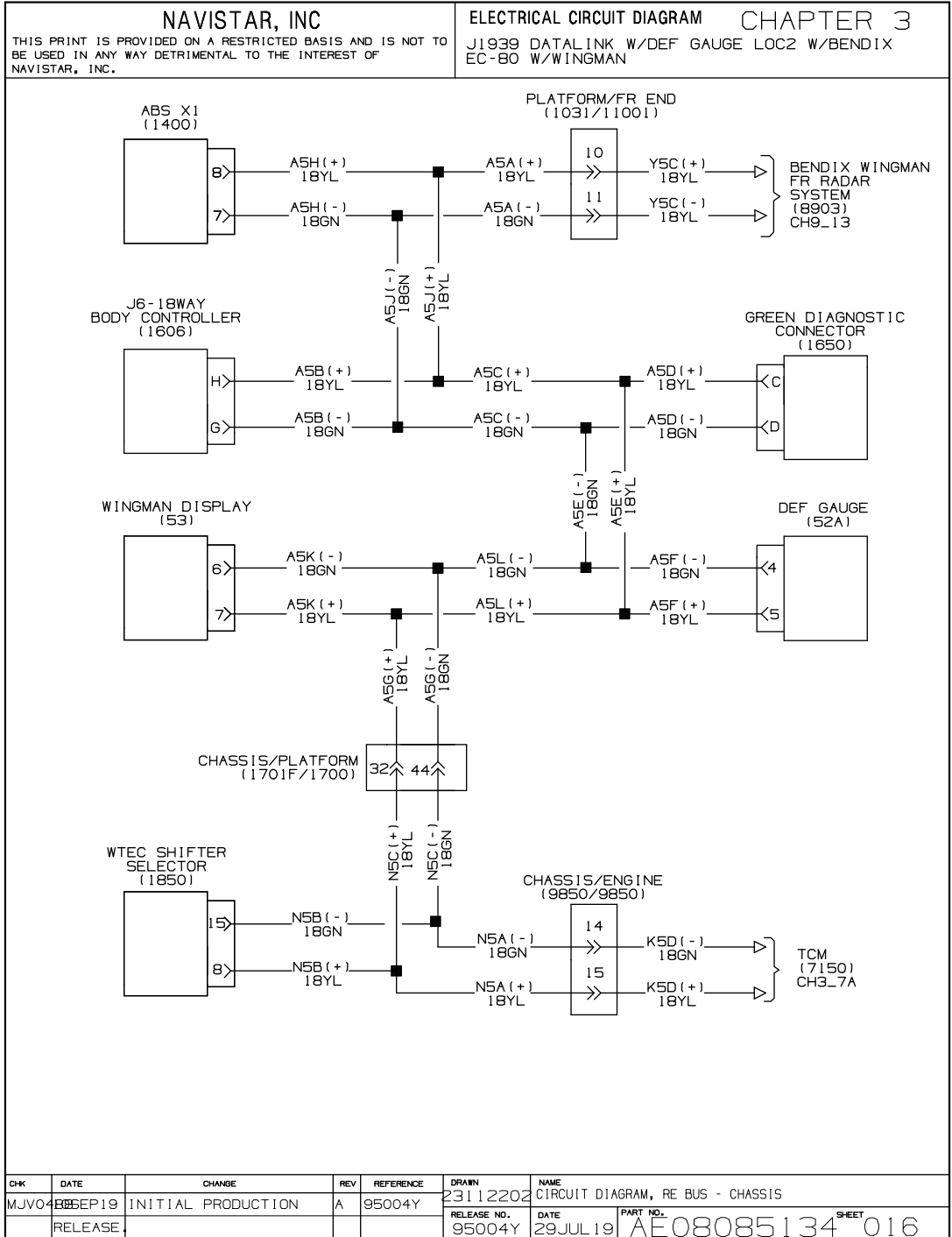


Figure 40 J1939 DataLink w/DEF Gauge LOC2 w/Bendix EC-80 w/ Wingman

3.19. J1939 DATALINK W/DEF GAUGE LOC1 W/BENDIX EC-80 W/ WINGMAN, P. 17

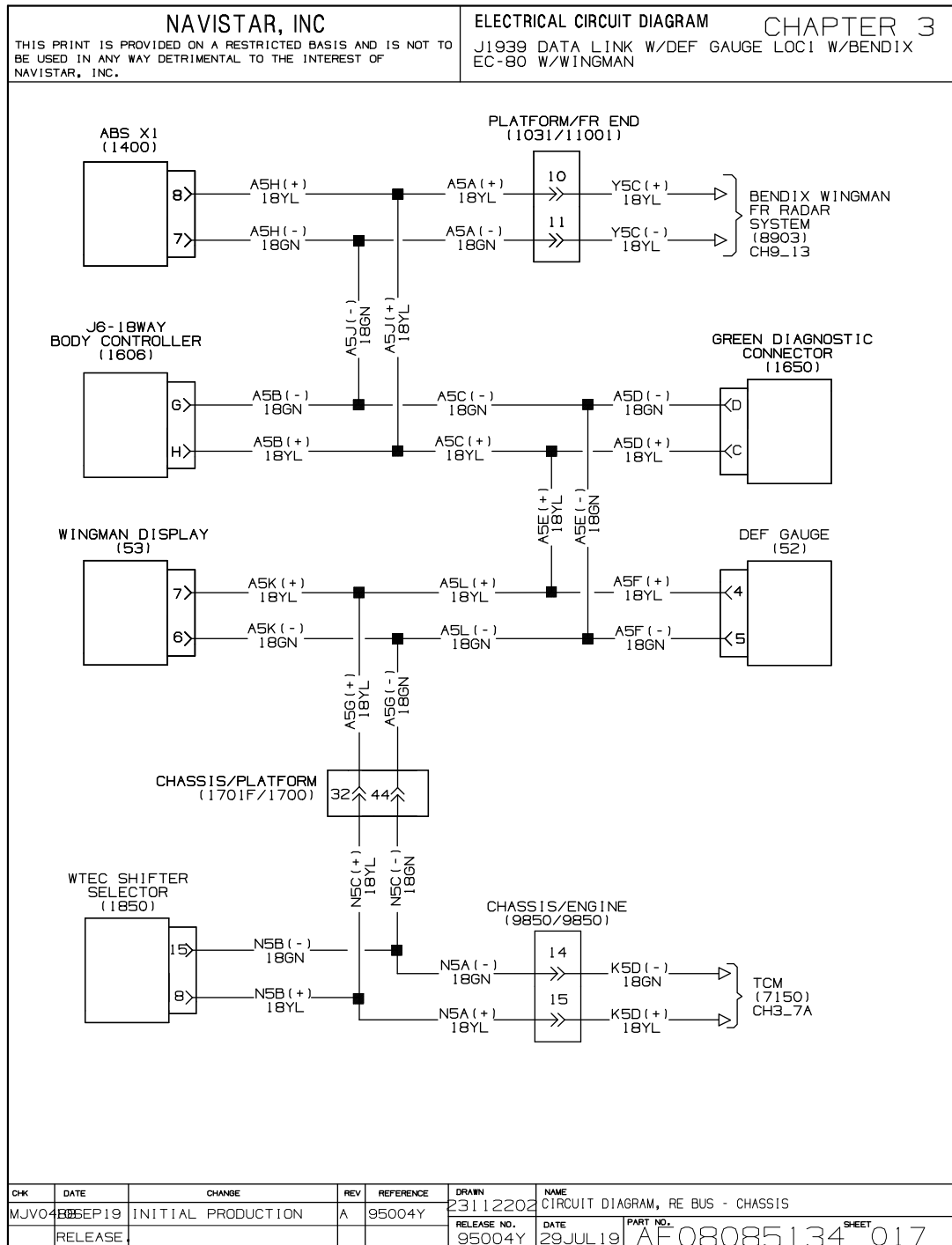


Figure 41 J1939 DataLink w/DEF Gauge LOC1 w/Bendix EC-80 w/ Wingman

3.20. J1939 DATALINK W/DEF GAUGE W/BENDIX EC-80 W/ STANDARD, P. 18

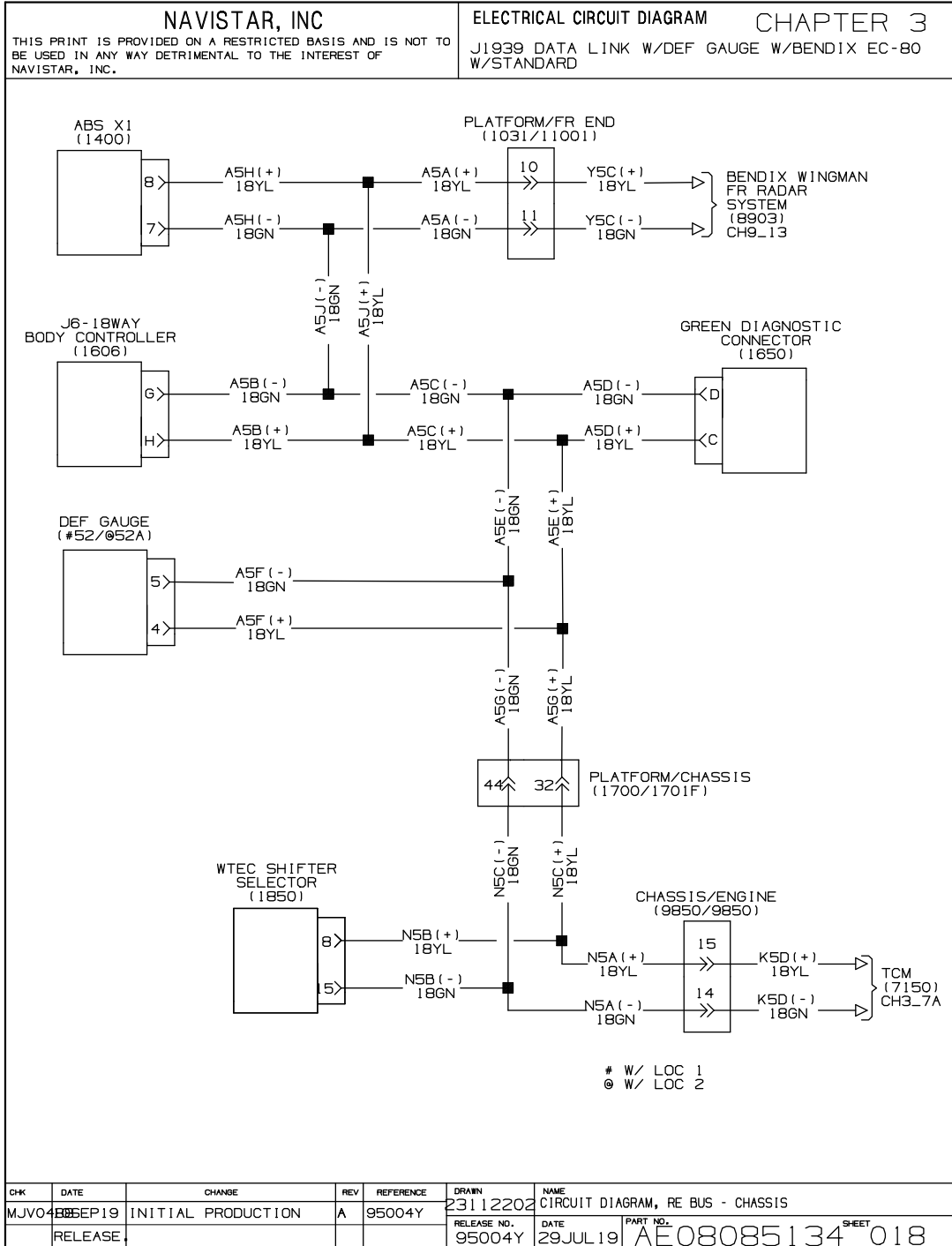


Figure 42 J1939 DataLink w/DEF Gauge w/Bendix EC-80 w/ Standard

3.21. J1939 DATALINK W/DEF GAUGE LOC1 W/ ZONAR, P. 19

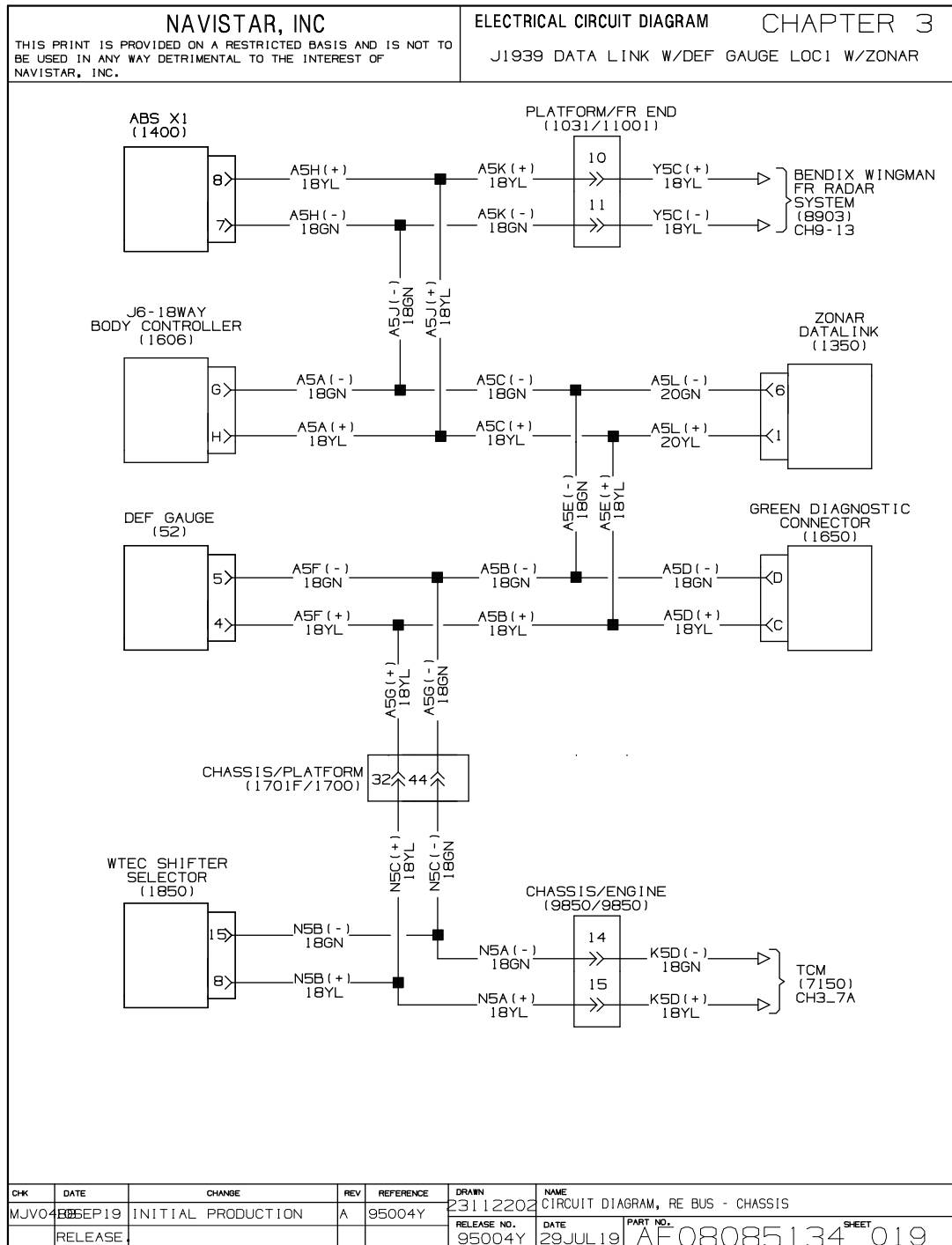


Figure 43 J1939 DataLink w/DEF Gauge LOC1 w/ Zonar

CHARGING AND CRANKING SYSTEM (CHAPTER 4)

4.1. STARTING AND CRANKING W/ ALLISON TRANSMISSION W/F 2017 ISL ENGINE, P. 1

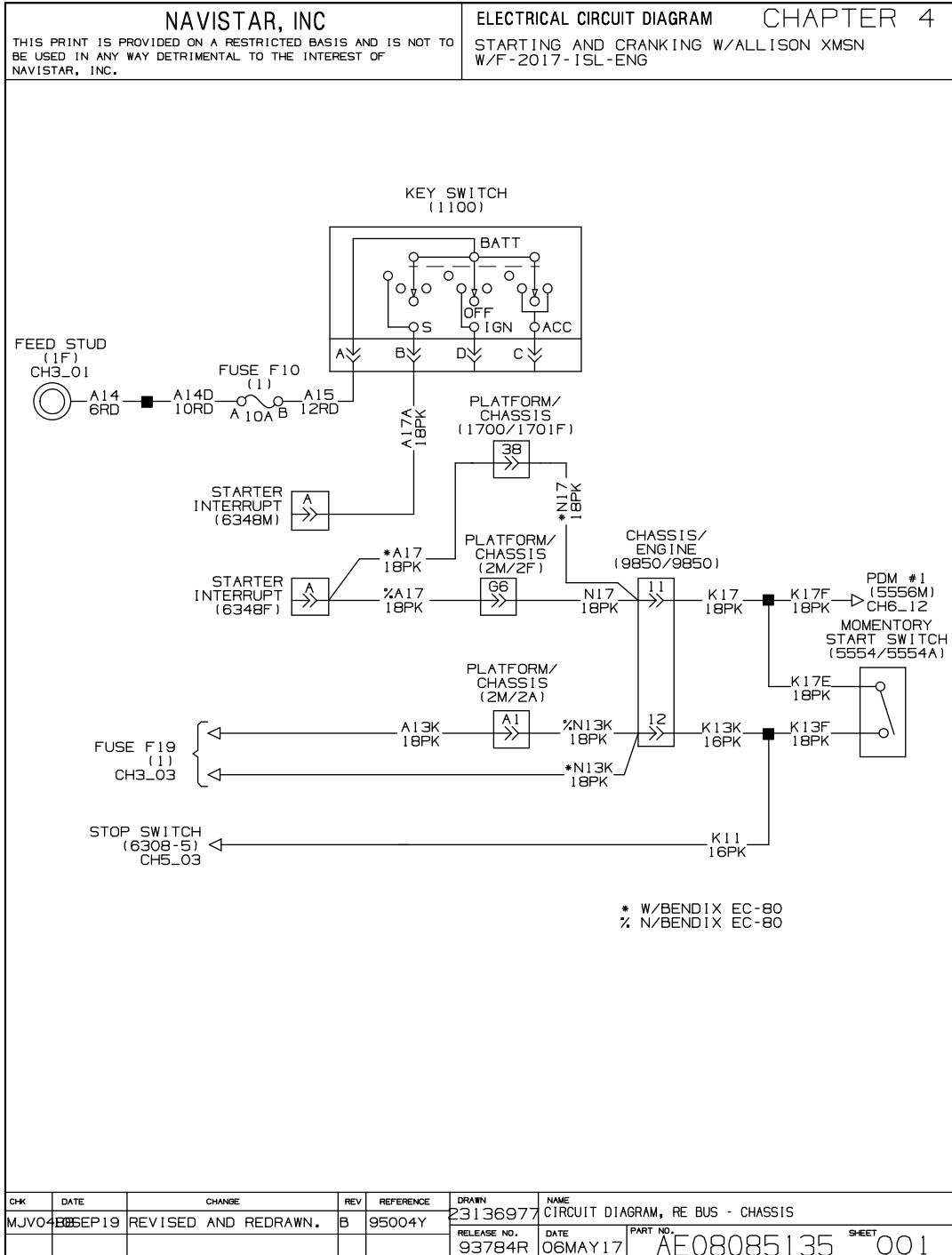


Figure 44 Starting and Cranking w/ Allison Transmission w/F 2017 ISL Engine

4.2. STARTING AND CRANKING W/ ALLISON TRANSMISSION W/F 2017 ISL ENGINE, P. 2

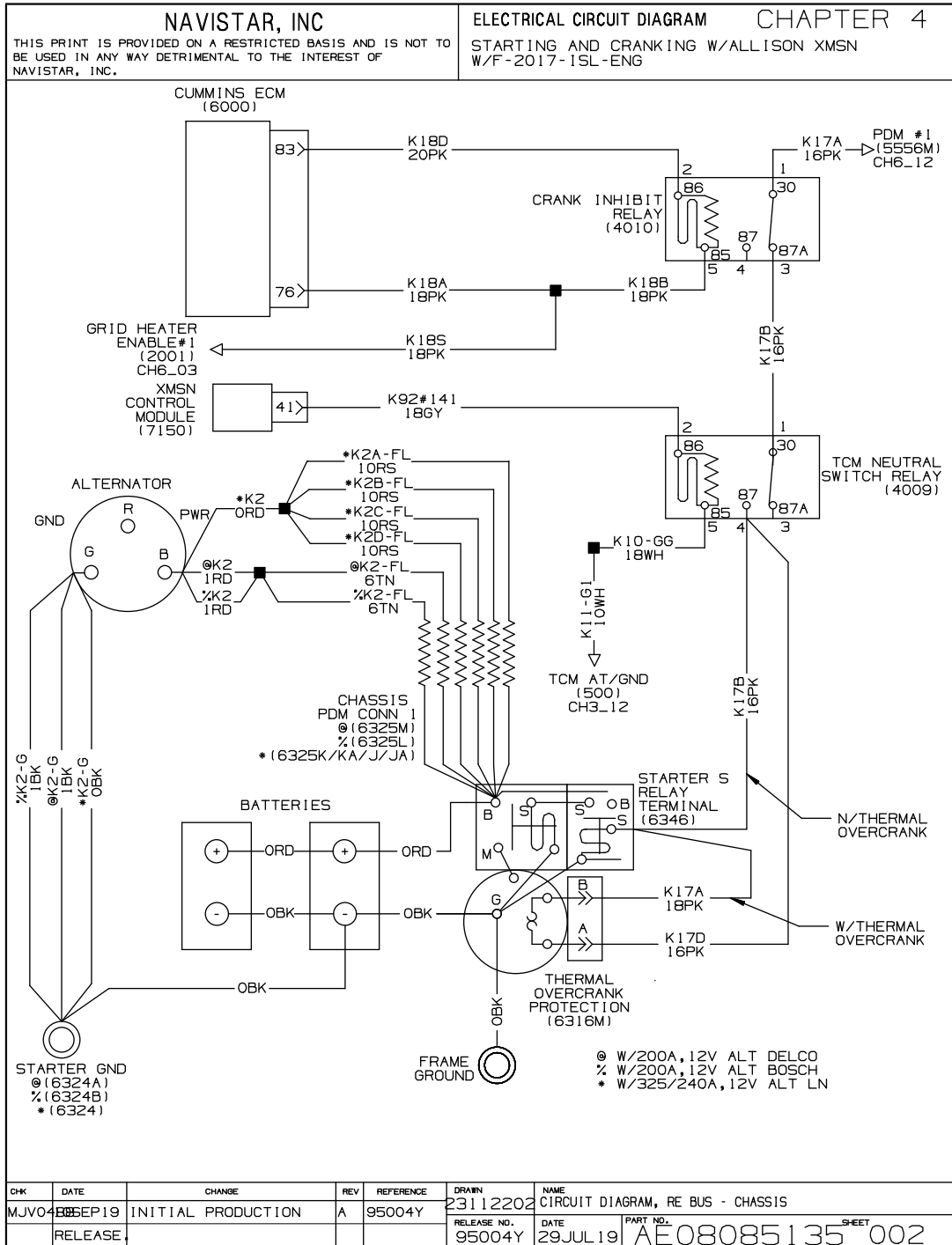


Figure 45 Starting and Cranking w/ Allison Transmission w/F 2017 ISL Engine

GAUGES AND WARNING LIGHTS (CHAPTER 5)

5.1. FUEL LEVEL GAUGE, P. 1

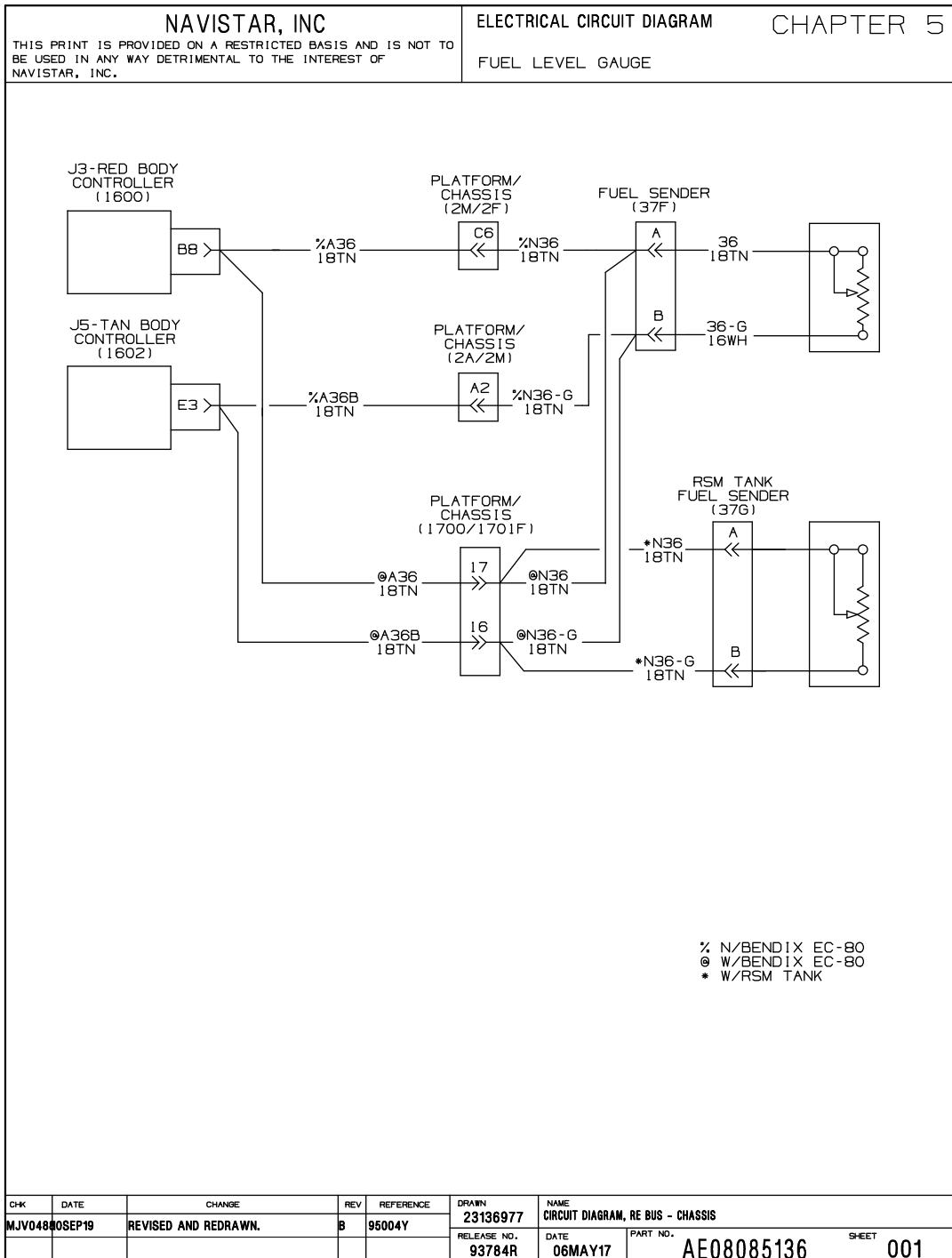


Figure 46 Fuel Level Gauge

5.2. TRANSMISSION OIL TEMPERATURE GAUGE, P. 2

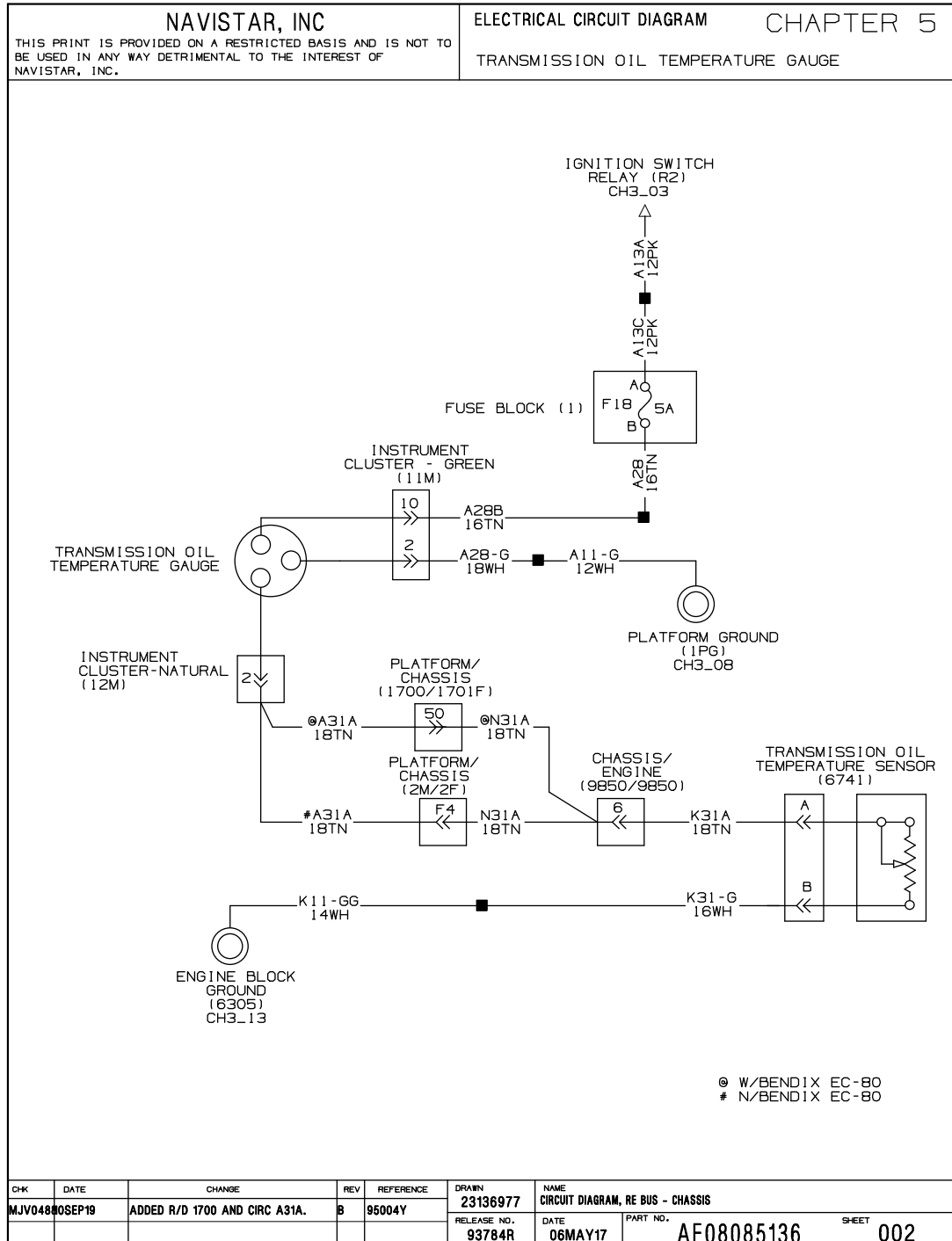


Figure 47 Transmission Oil Temperature Gauge

5.3. DEF GAUGE W / AMMETER 300AMP, P. 3

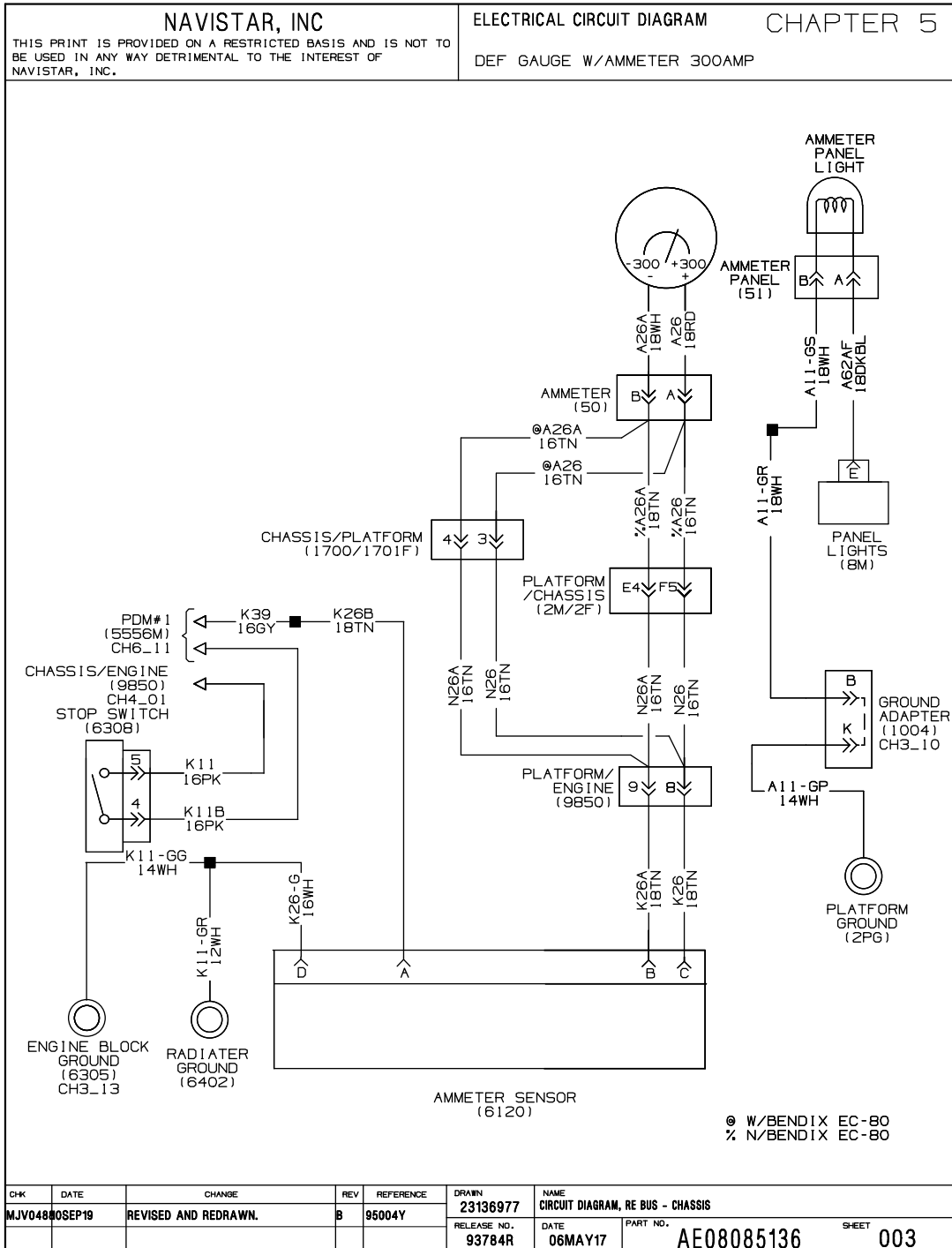


Figure 48 DEF Gauge w/Ammeter 300AMP

5.4. DEF GAUGE WITHOUT AMMETER 300AMP, P. 4

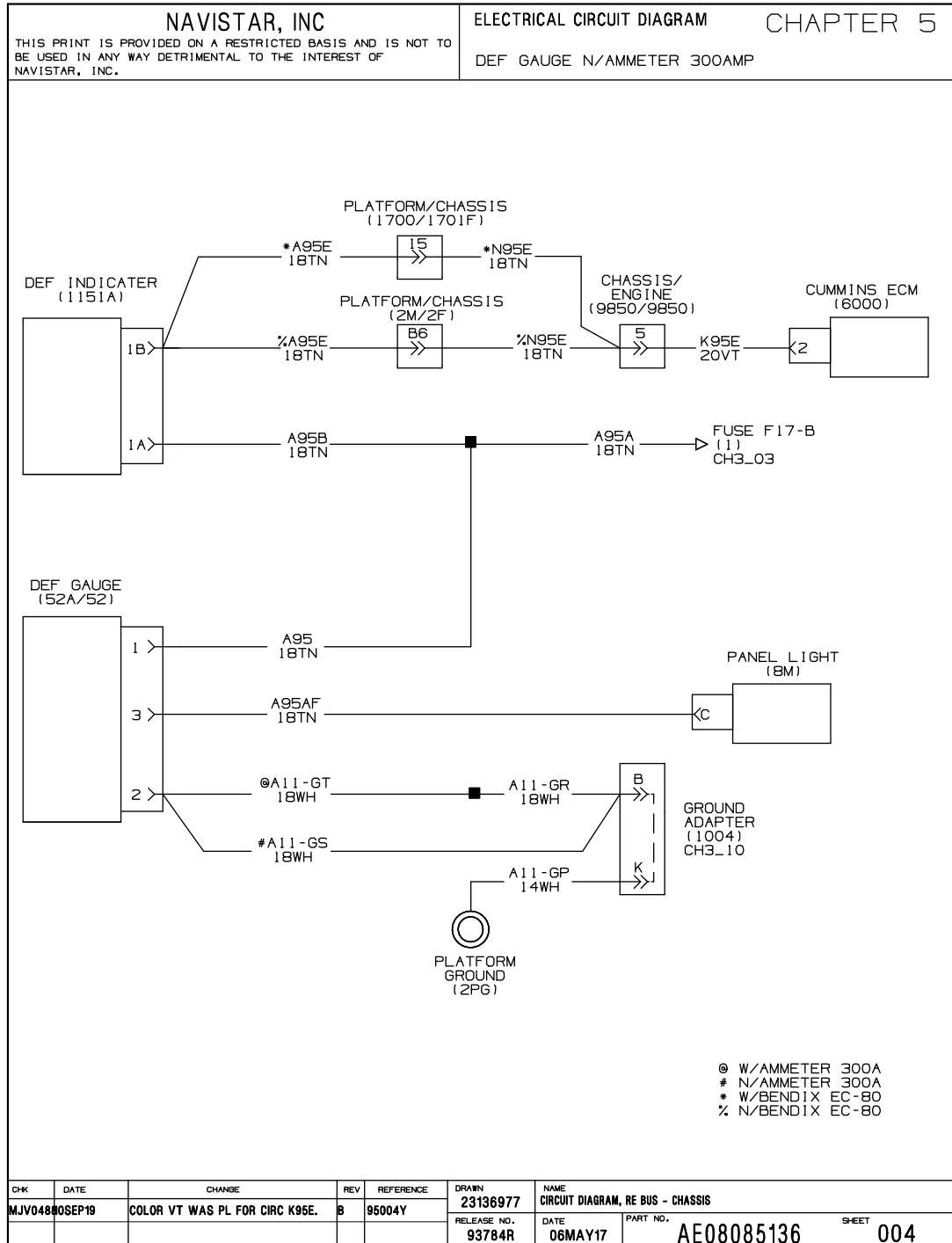


Figure 49 DEF Gauge without Ammeter 300AMP

5.5. ENGINE OIL PRESSURE, SPEEDOMETER, TACHOMETER, WATER TEMPERATURE, VOLTMETER, P. 5

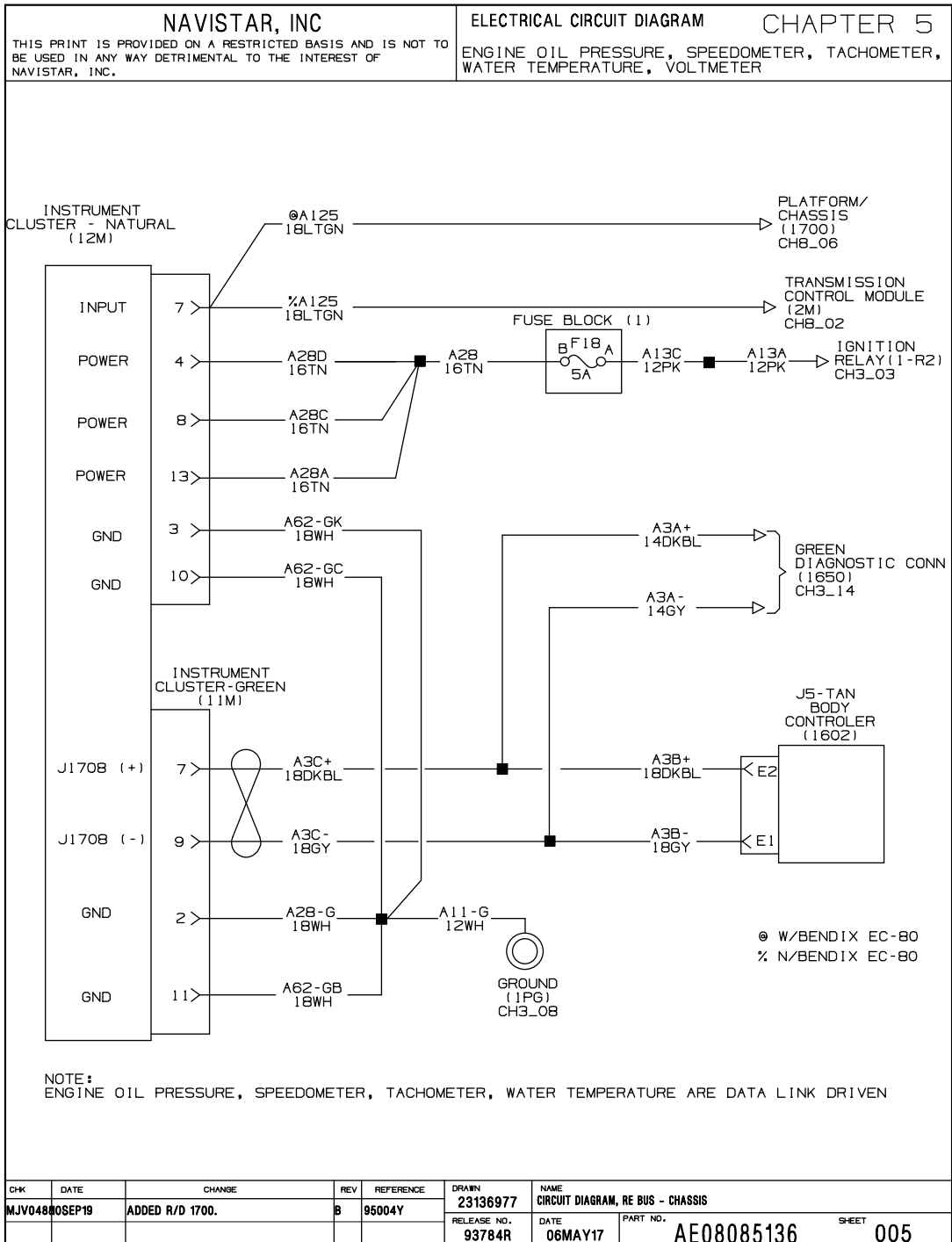


Figure 50 Engine Oil Pressure, Speedometer, Tachometer, Water Temperature, Voltmeter

5.6. PARK BRAKE INDICATOR LIGHT, P. 6

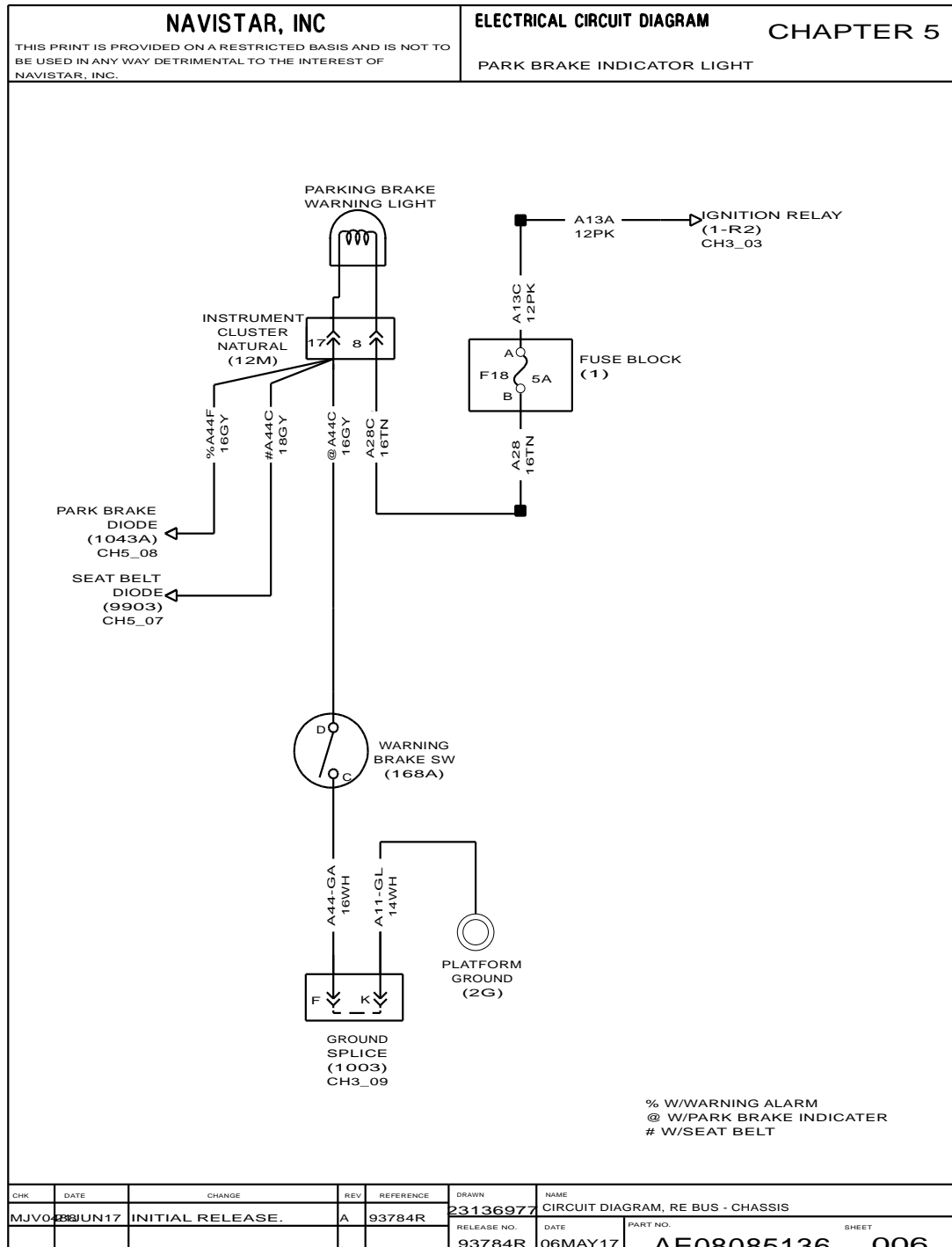


Figure 51 Park Brake Indicator Light

5.7. PARK BRAKE INDICATOR LIGHT W / SEAT BELT, P. 7

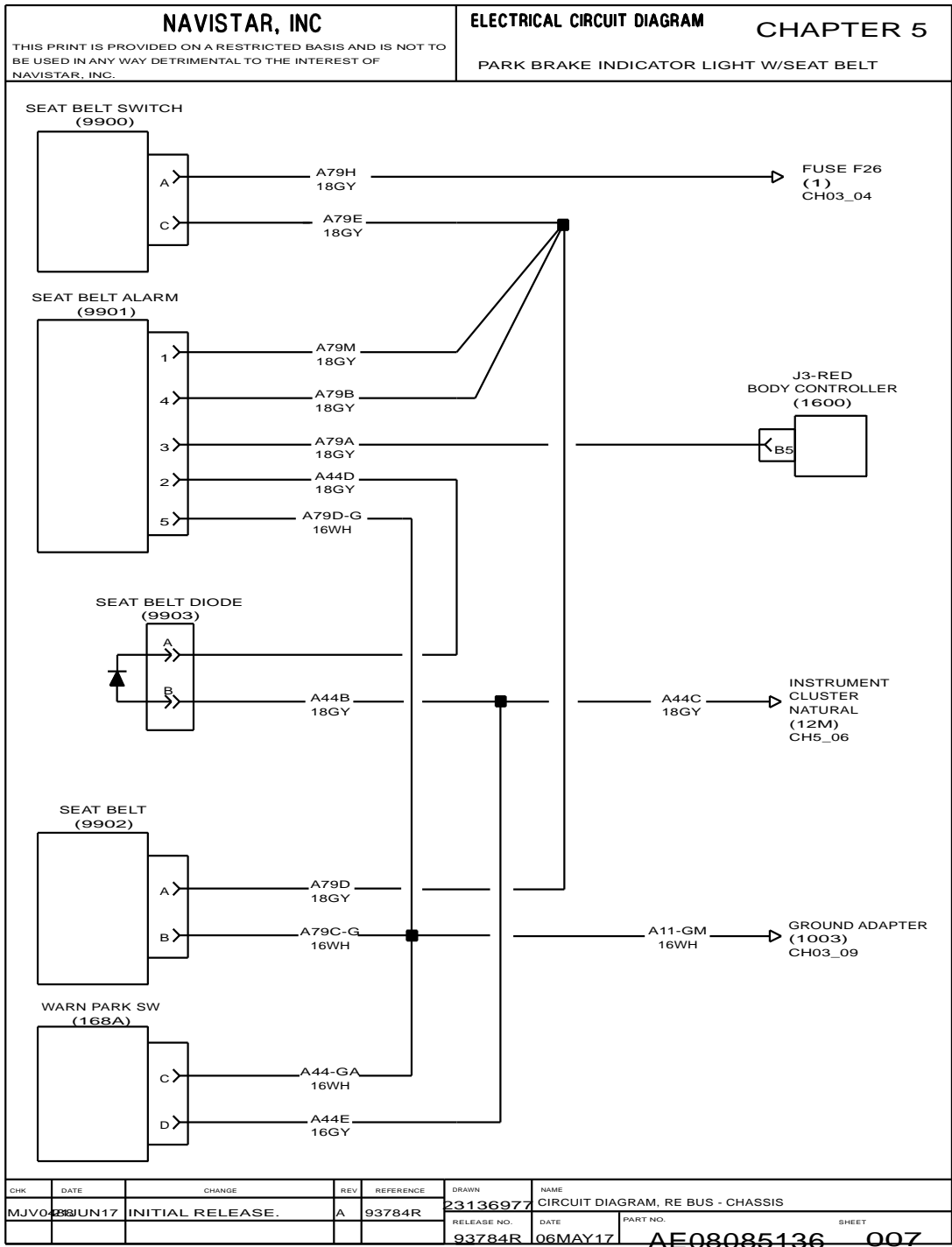


Figure 52 Park Brake Indicator Light w / Seat Belt

5.8. PARK BRAKE W / WARNING ALARM, P. 8

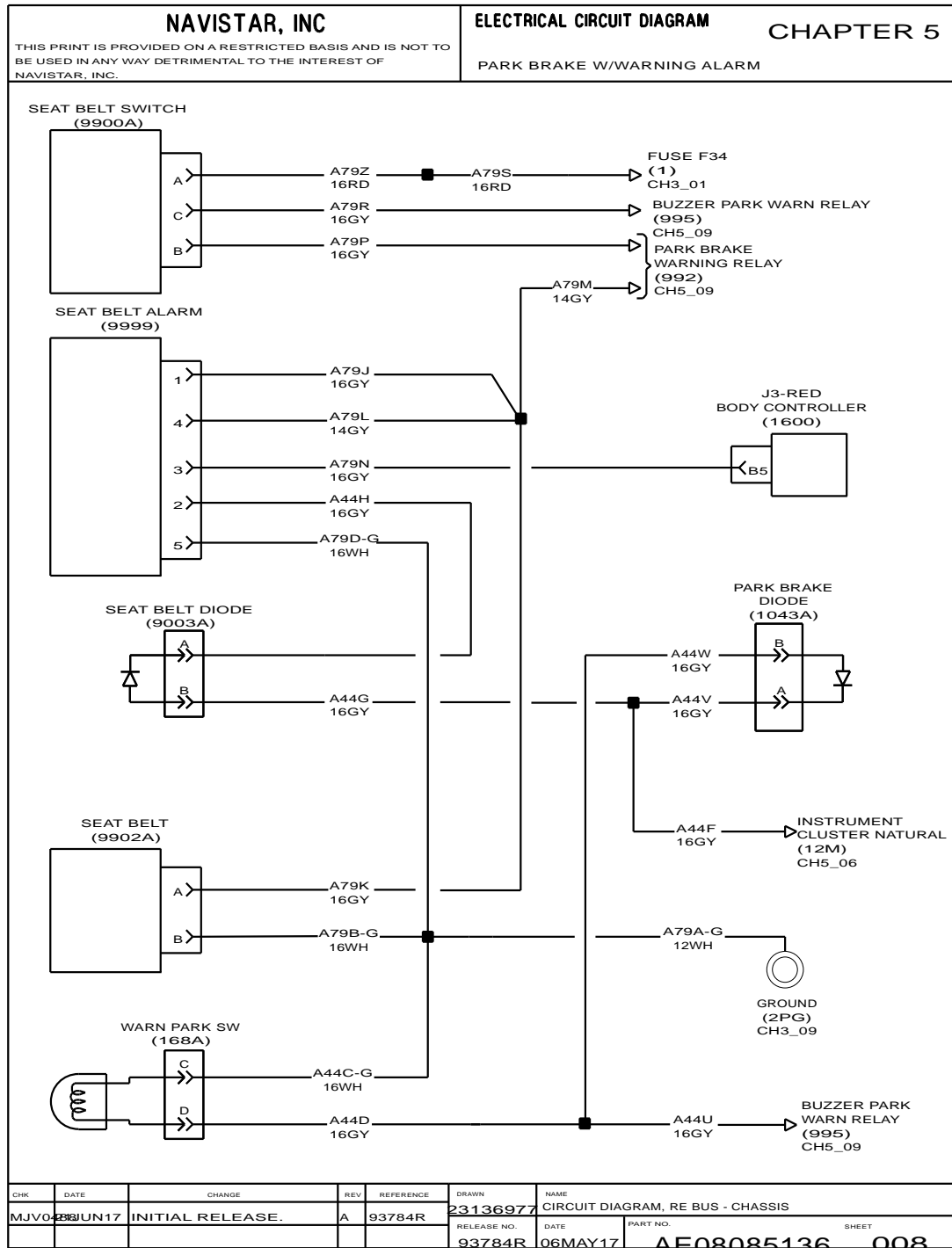


Figure 53 Park Brake w / Warning Alarm

5.9. PARK BRAKE W / WARNING ALARM (CONT.), P. 9

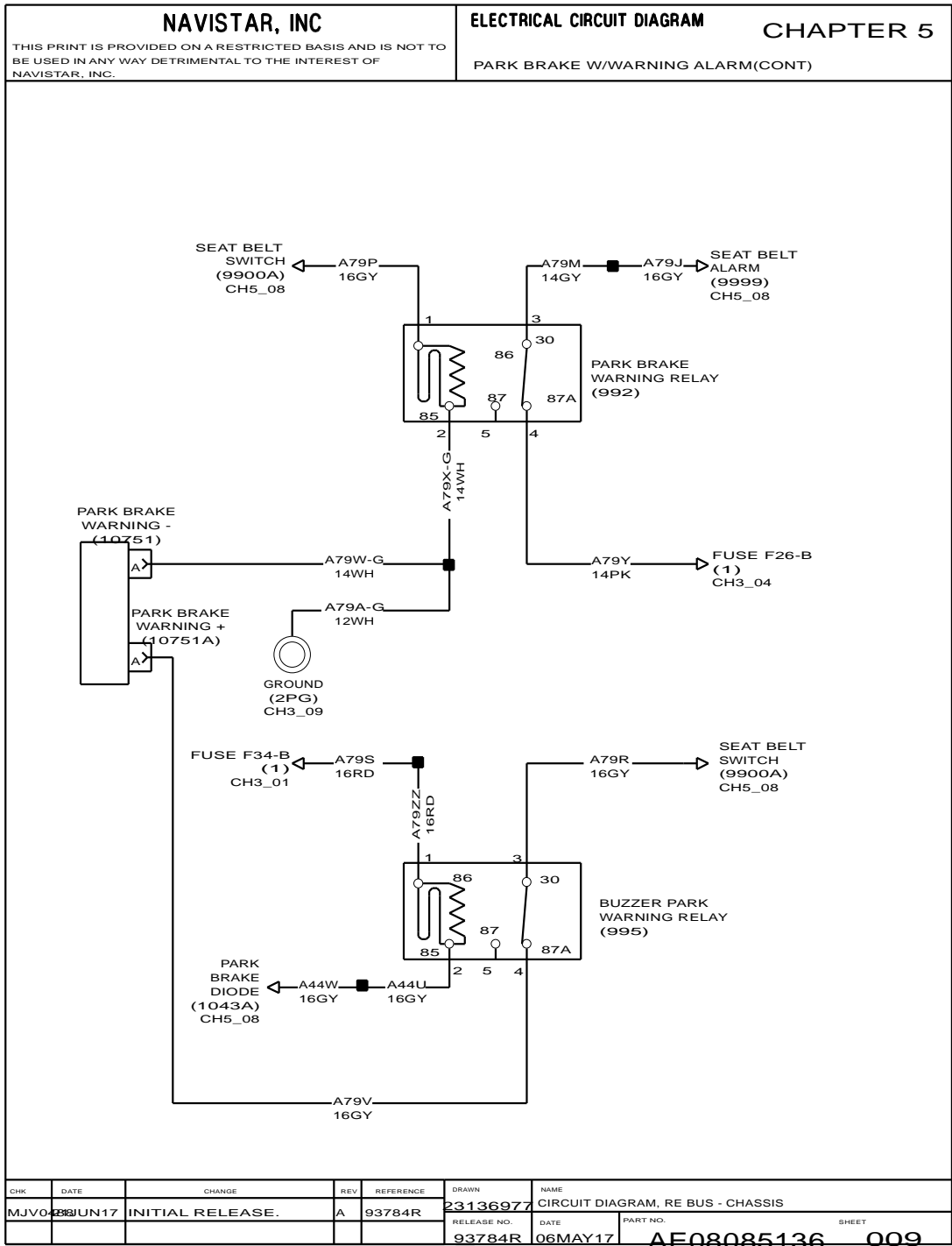


Figure 54 Park Brake w / Warning Alarm (Cont.)

5.10. PARK BRAKE INTERLOCKS, P. 10

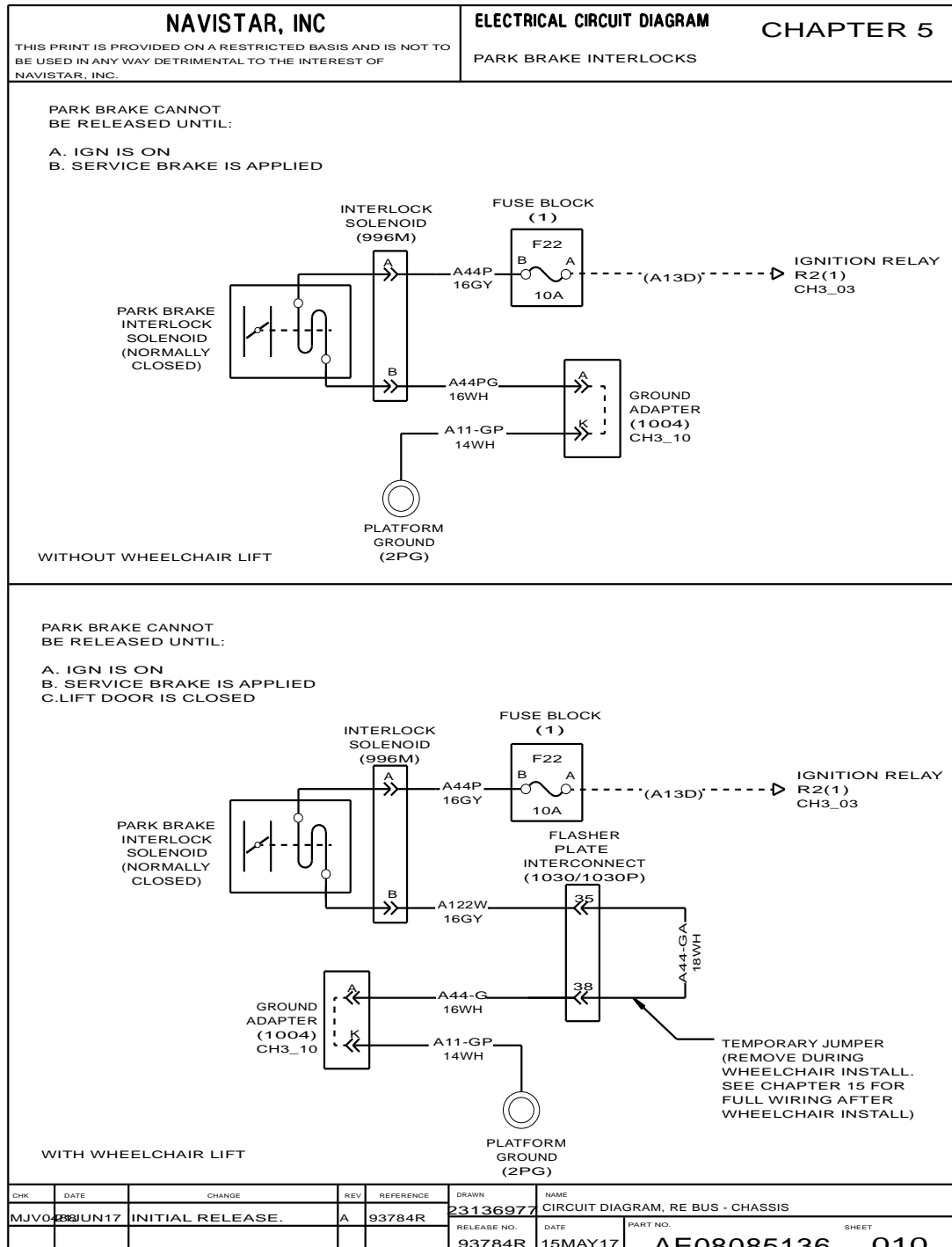


Figure 55 Park Brake Interlocks

5.11. LOW AIR PRESSURE AIR AUDIBLE ALARM, P. 11

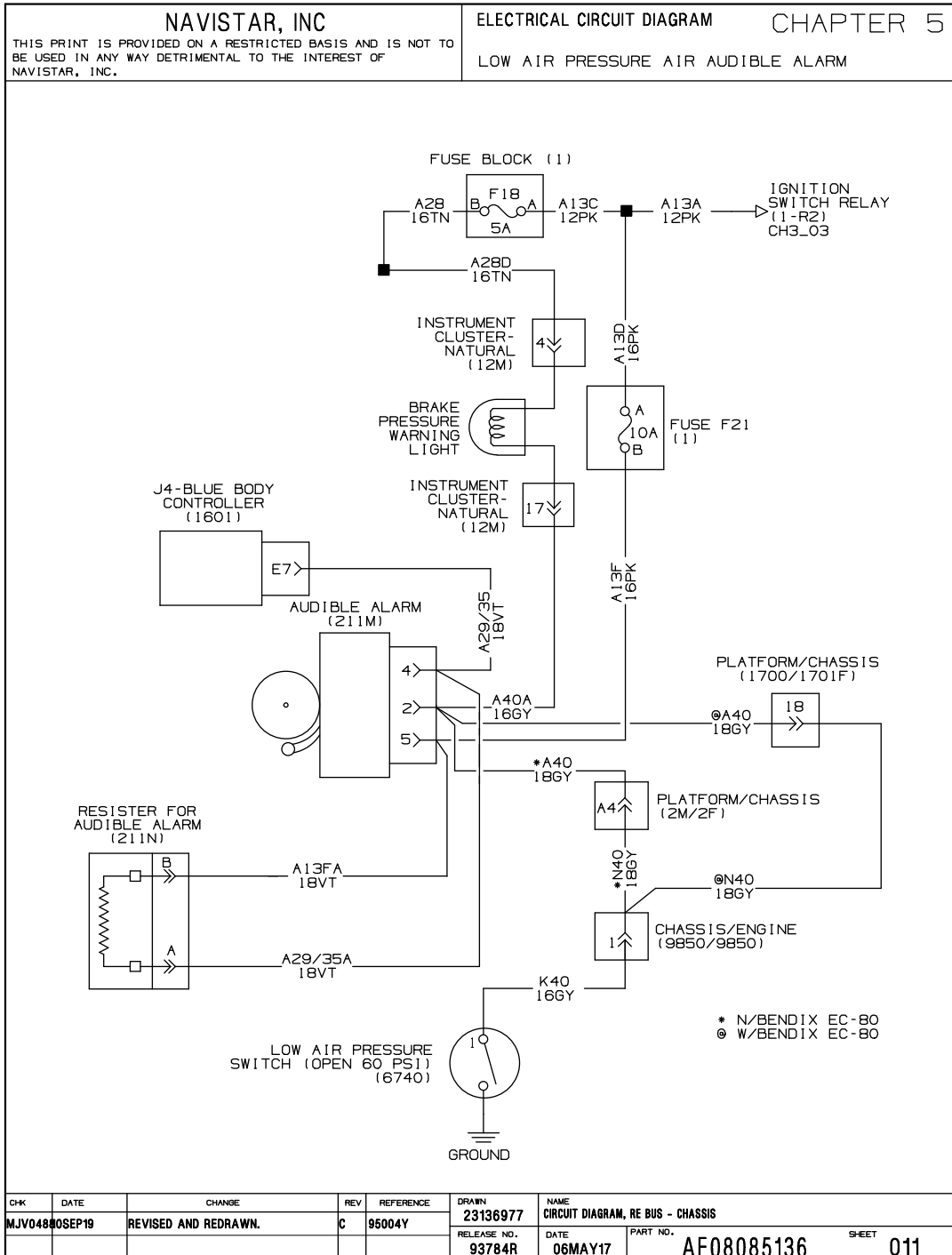


Figure 56 Low Air Pressure Air Audible Alarm

5.12. MALFUNCTION INDICATOR LIGHT (MIL) WITHOUT BENDIX EC-80, P. 12

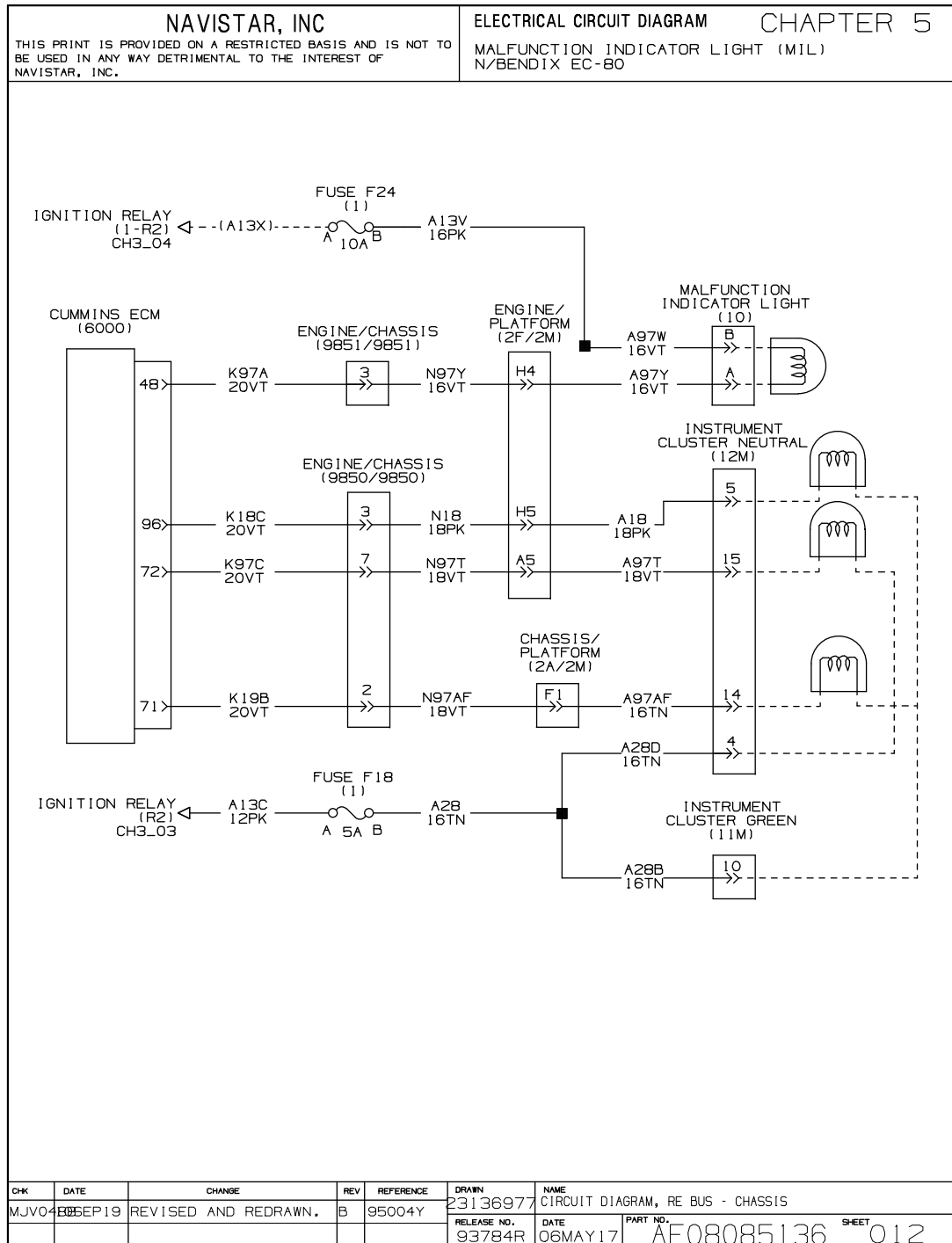


Figure 57 Malfunction Indicator Light (MIL) without Bendix EC-80

5.13. MALFUNCTION INDICATOR LIGHT (MIL) W/ BENDIX EC-80, P. 12A

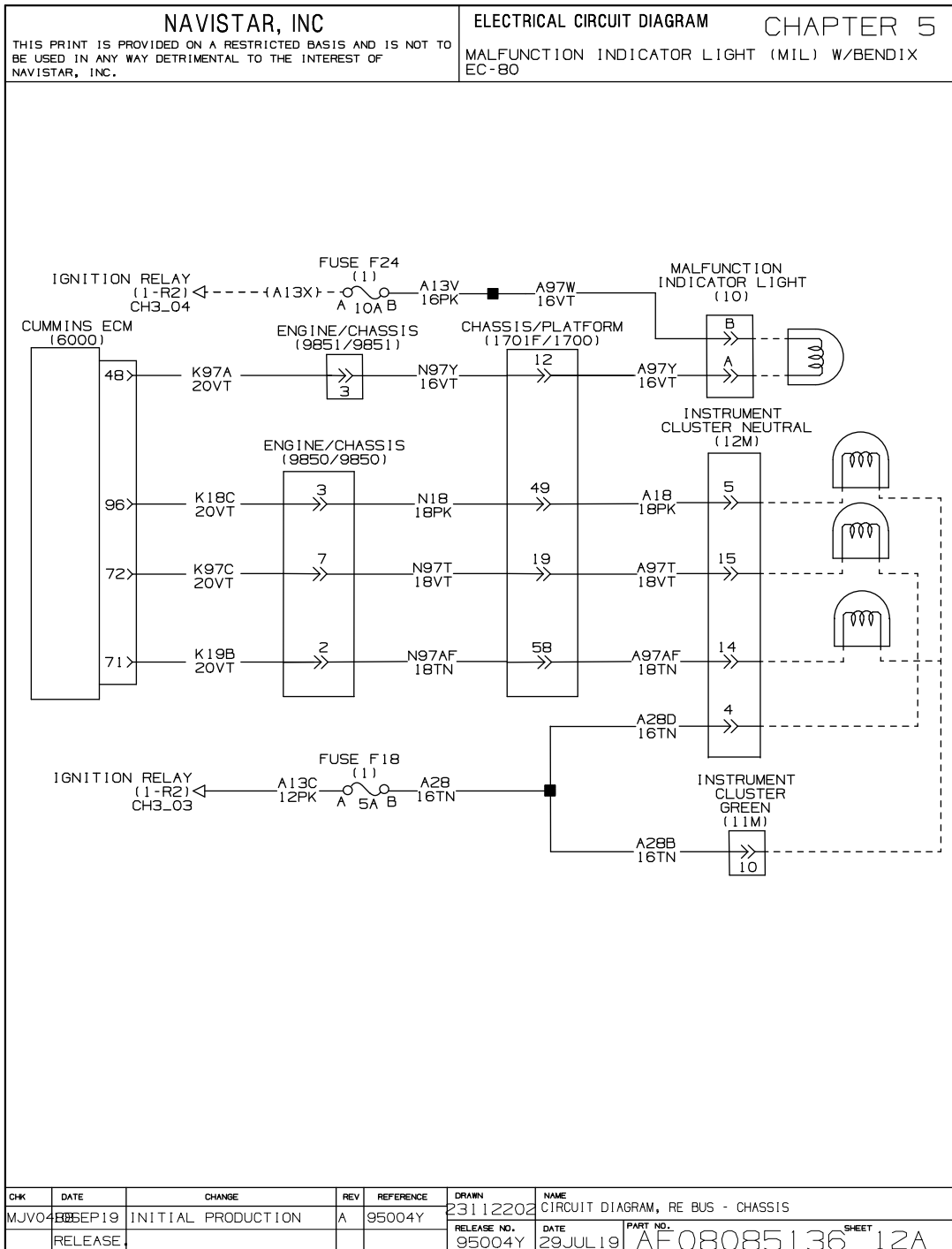


Figure 58 Malfunction Indicator Light (MIL) w/ Bendix EC-80

5.14. WATER IN FUEL LIGHT, P. 13

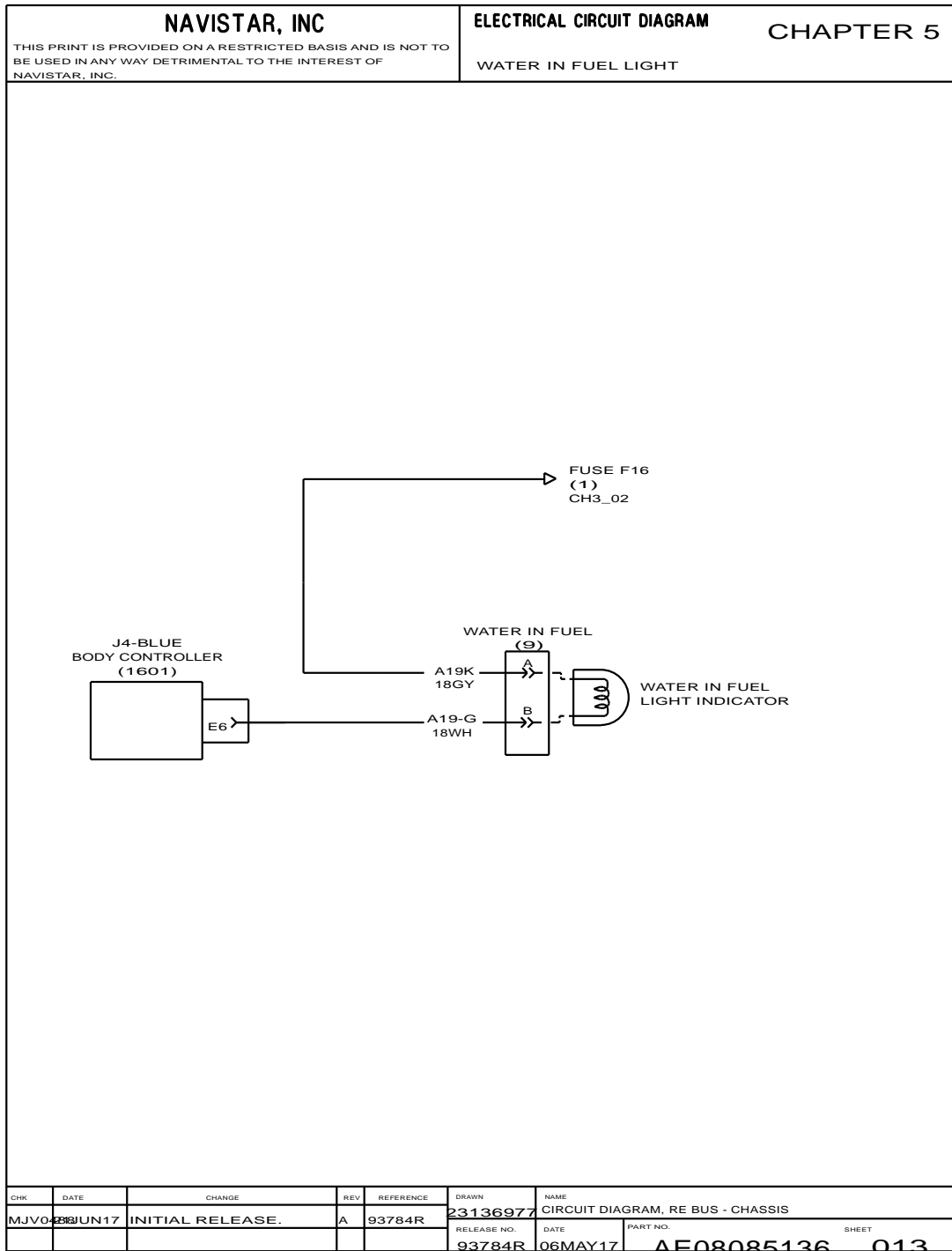


Figure 59 Water in Fuel Light

5.16. FUEL FILTER CUMMINS STANDARD, P. 15

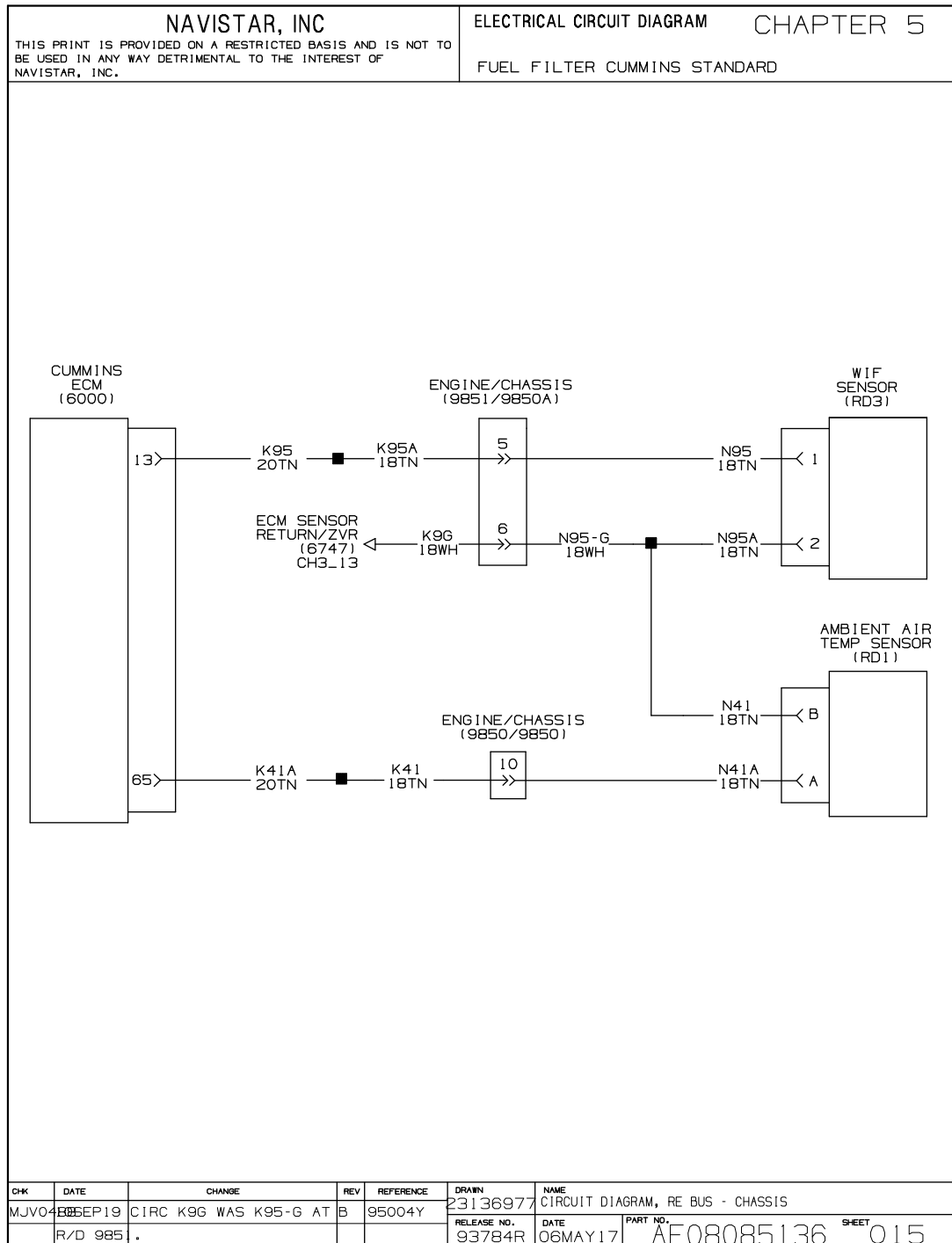


Figure 61 Fuel Filter Cummins Standard

5.17. FUEL HEATER FRONT OF FUEL TANK, P. 16

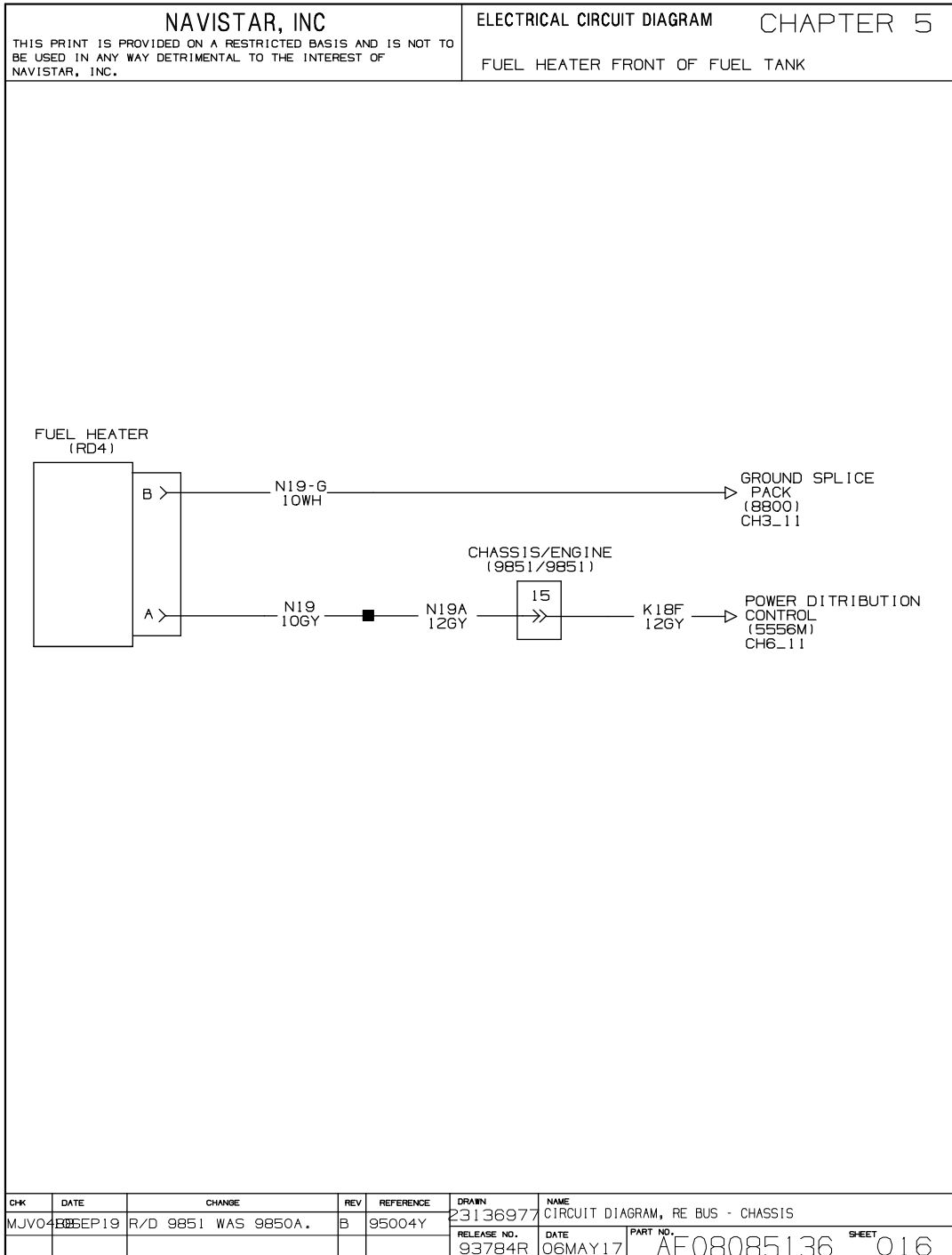


Figure 62 Fuel Heater Front of Fuel Tank

ENGINE AND ENGINE SYSTEMS (CHAPTER 6)

6.1. ELECTRONICS ENGINE CONTROL W/ F 2017 ISL ENGINE, P. 1

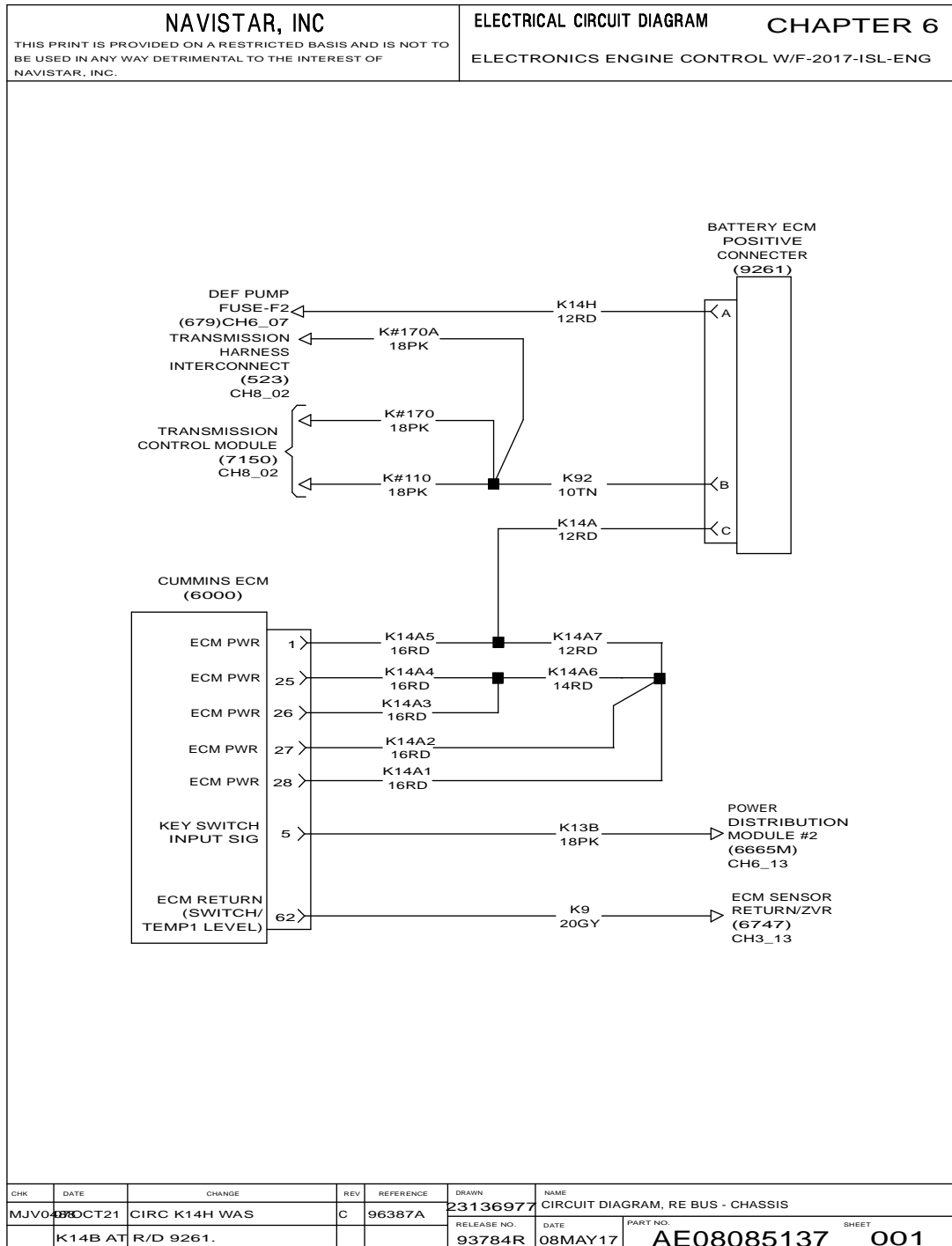


Figure 63 Electronics Engine Control W/ F 2017 ISL Engine

6.2. ELECTRONICS ENGINE CONTROL W/ F 2017 ISL ENGINE (CONT.), P. 2

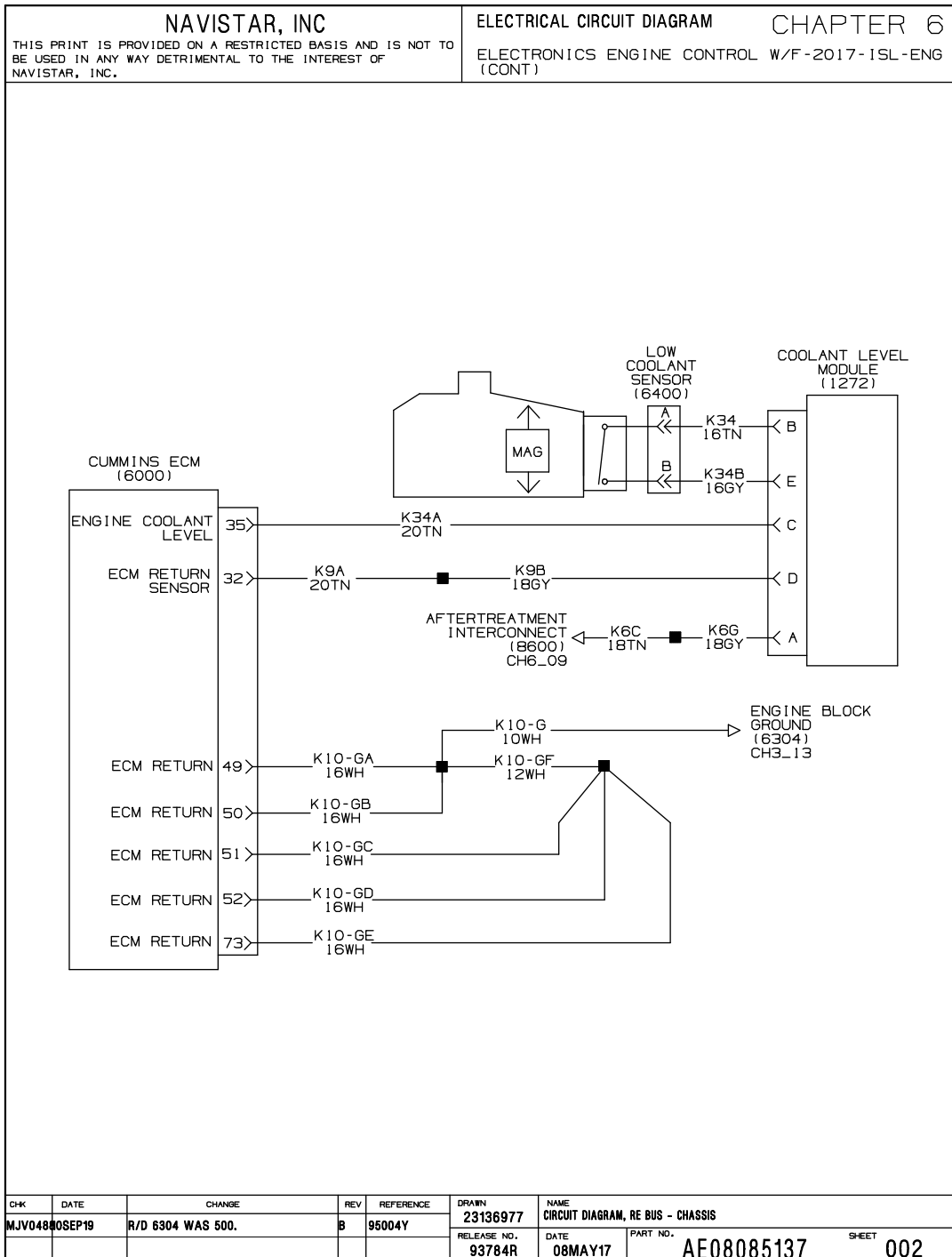


Figure 64 Electronics Engine Control W/ F 2017 ISL Engine (Cont.)

6.3. ELECTRONICS ENGINE CONTROL W/ F 2017 ISL ENGINE (CONT.), P. 3

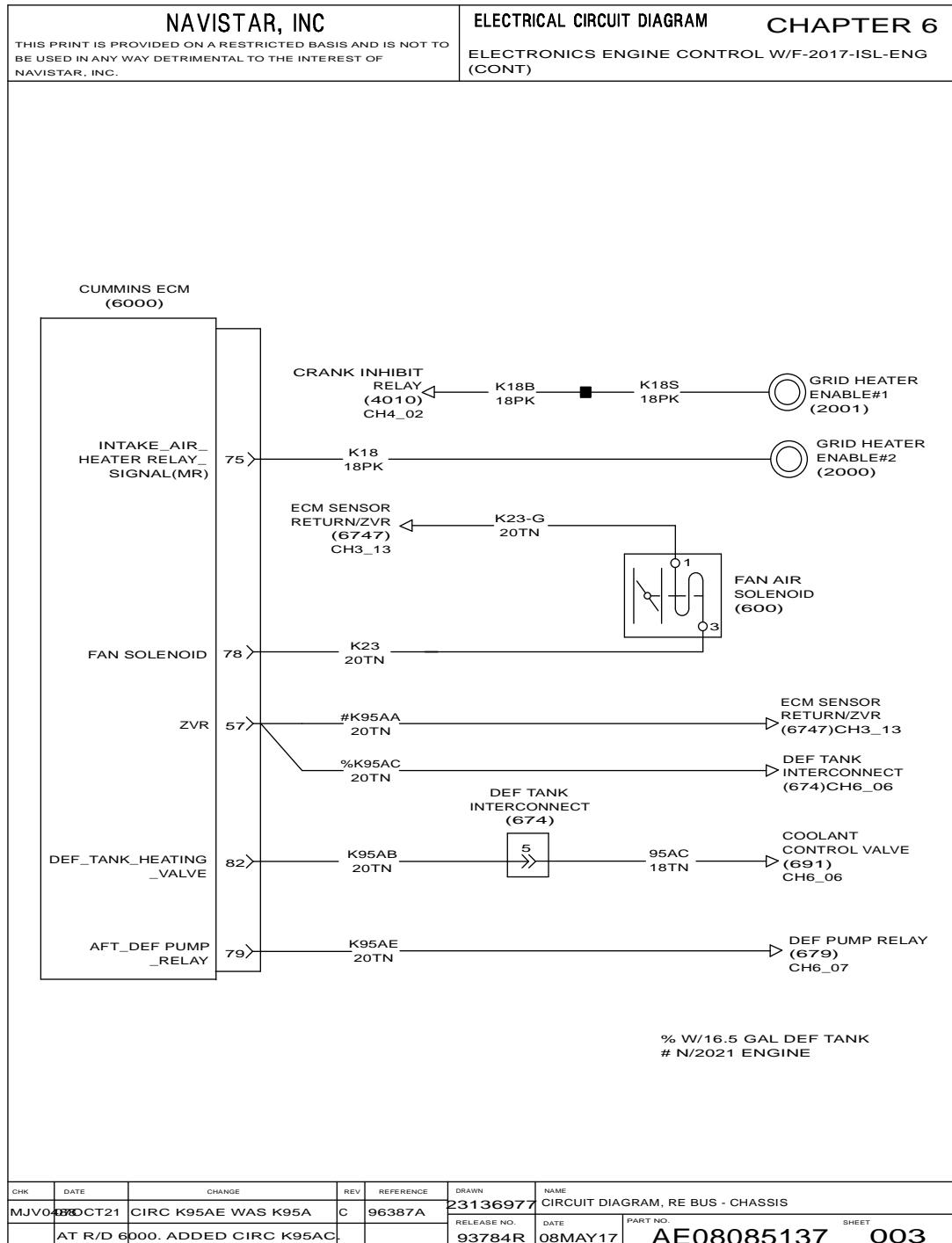


Figure 65 Electronics Engine Control W/ F 2017 ISL Engine (Cont.)

6.4. ELECTRONICS ENGINE CONTROL W/ F 2017 ISL ENGINE (CONT.), P. 4

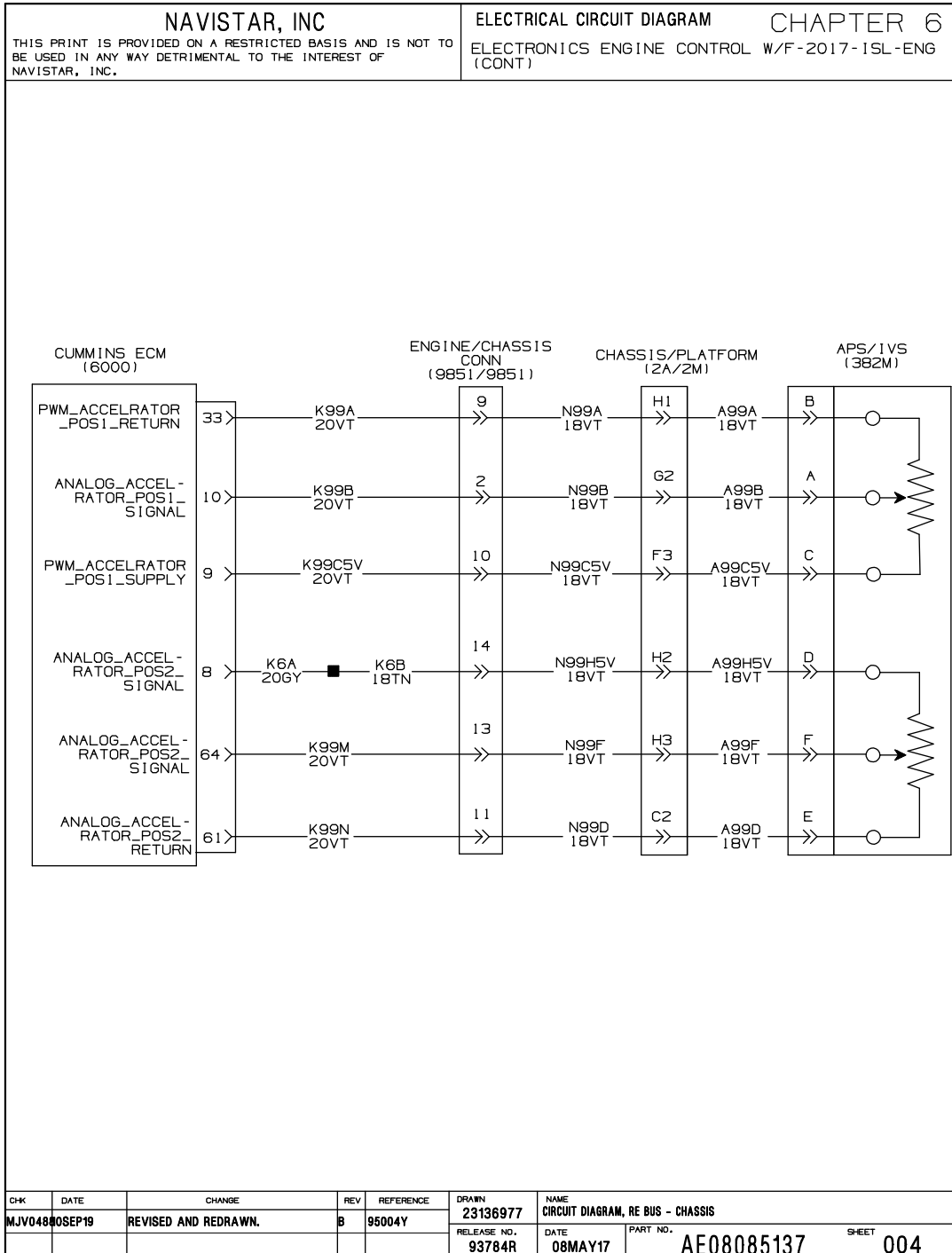


Figure 66 Electronics Engine Control W/ F 2017 ISL Engine (Cont.)

6.5. ACCELERATOR PEDAL W/BENDIX EC-80, P. 4A

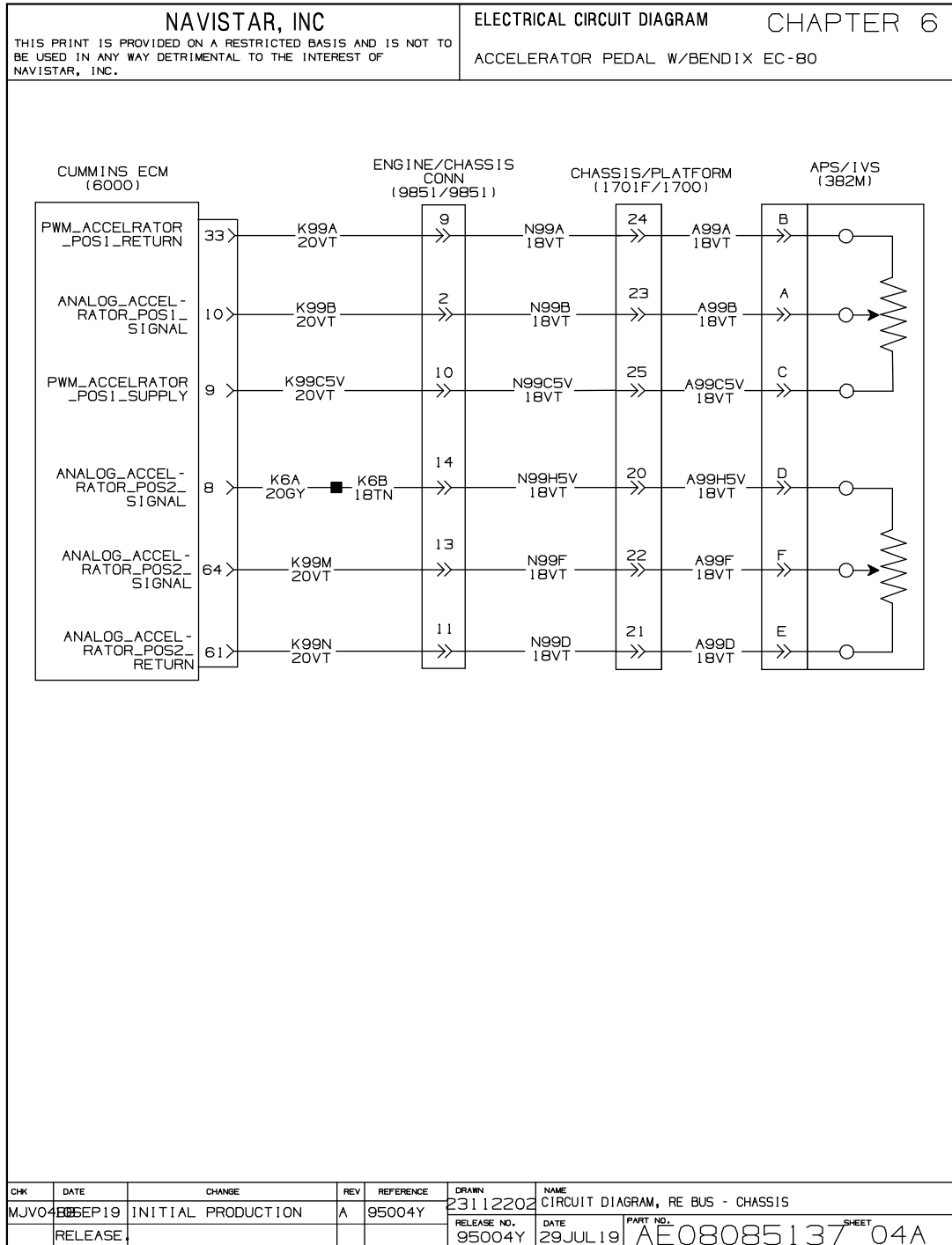


Figure 67 Accelerator Pedal w/Bendix EC-80

6.6. DEF AND AFTERTREATMENT W/ F 2017 ISL ENGINE, P. 5

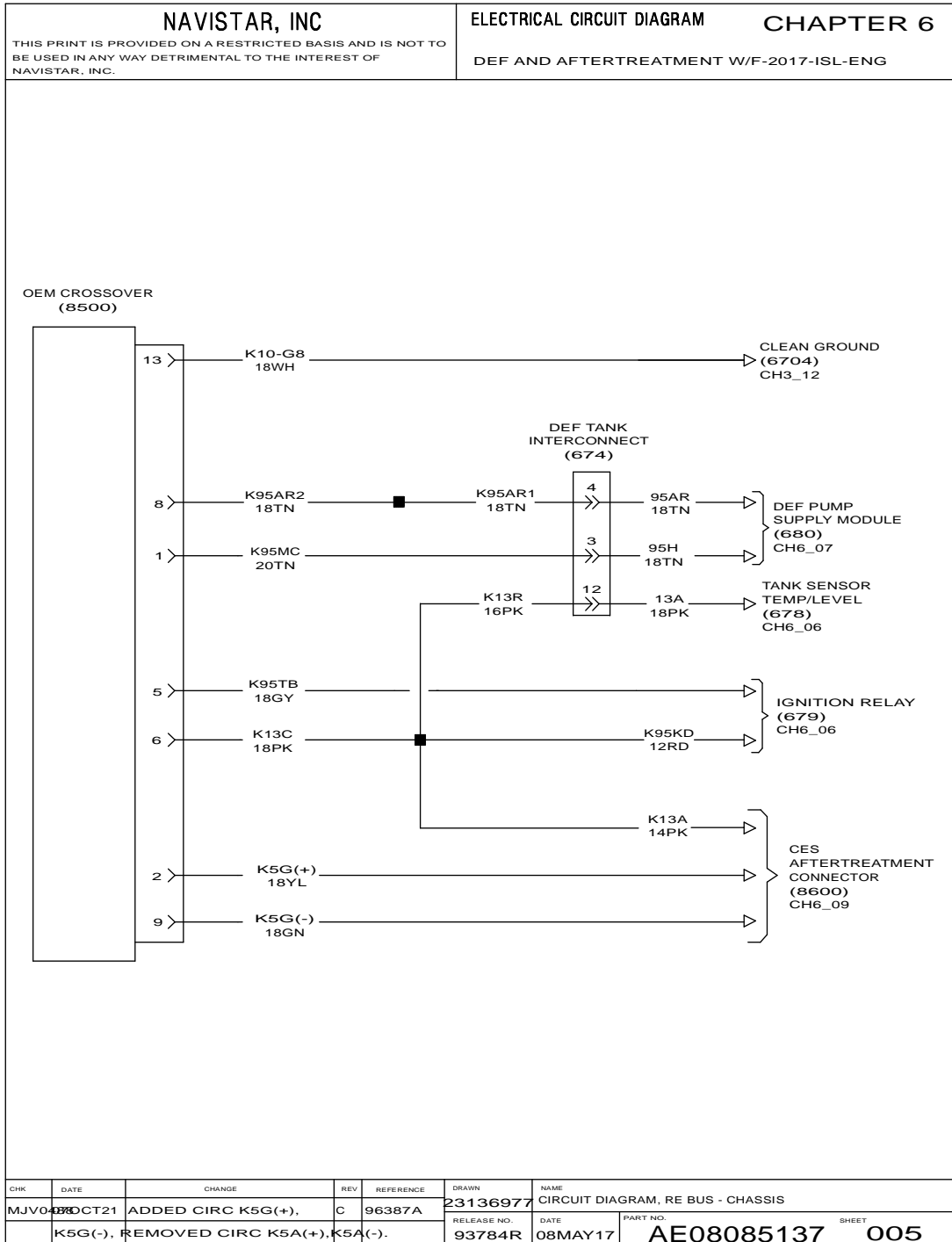


Figure 68 DEF and Aftertreatment W/ F 2017 ISL Engine

6.7. DEF AND AFTERTREATMENT W/ F 2017 ISL ENGINE (CONT.), P. 6

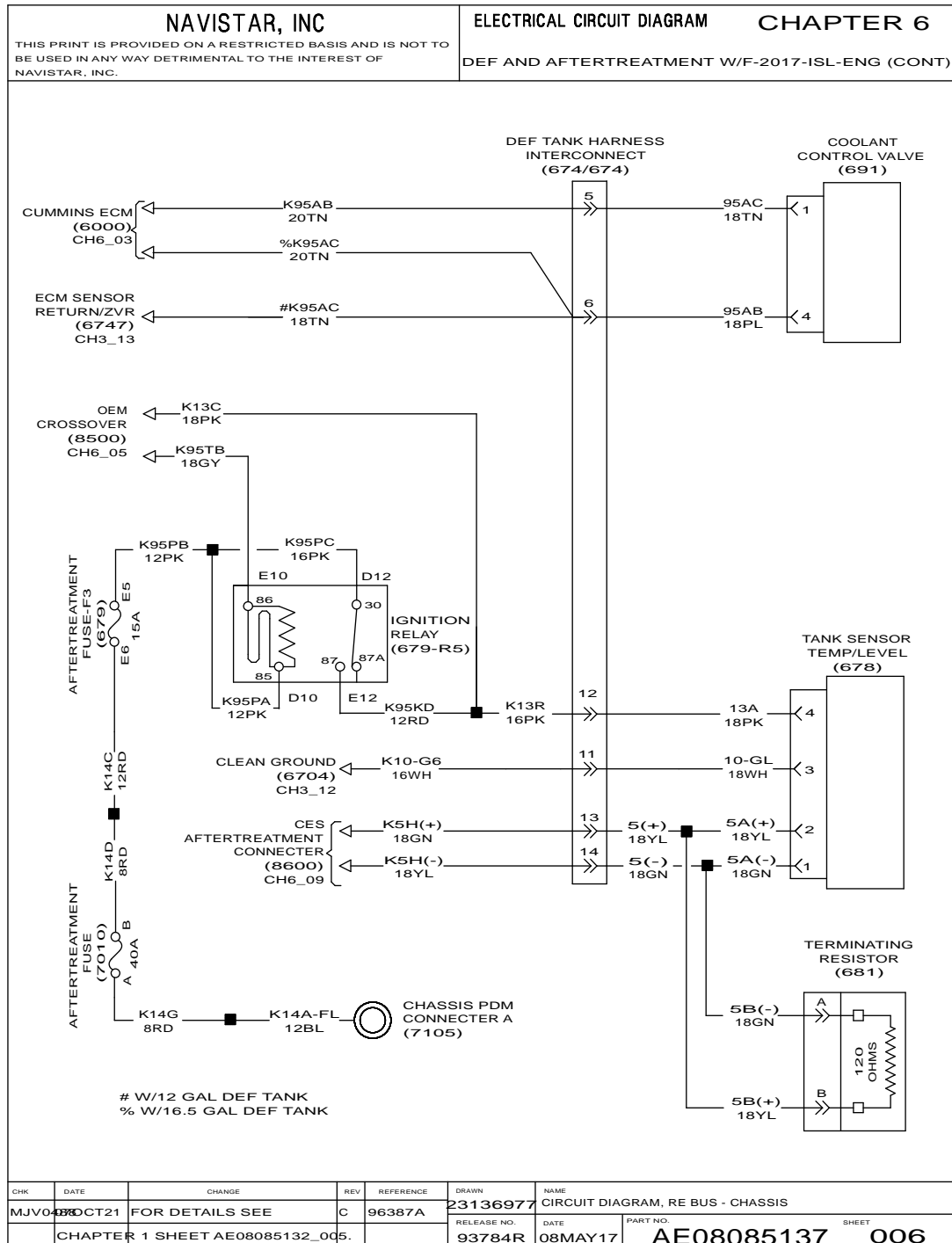


Figure 69 DEF and Aftertreatment W/ F 2017 ISL Engine (Cont.)

6.8. DEF AND AFTERTREATMENT W/ F 2017 ISL ENGINE (CONT.), P. 7

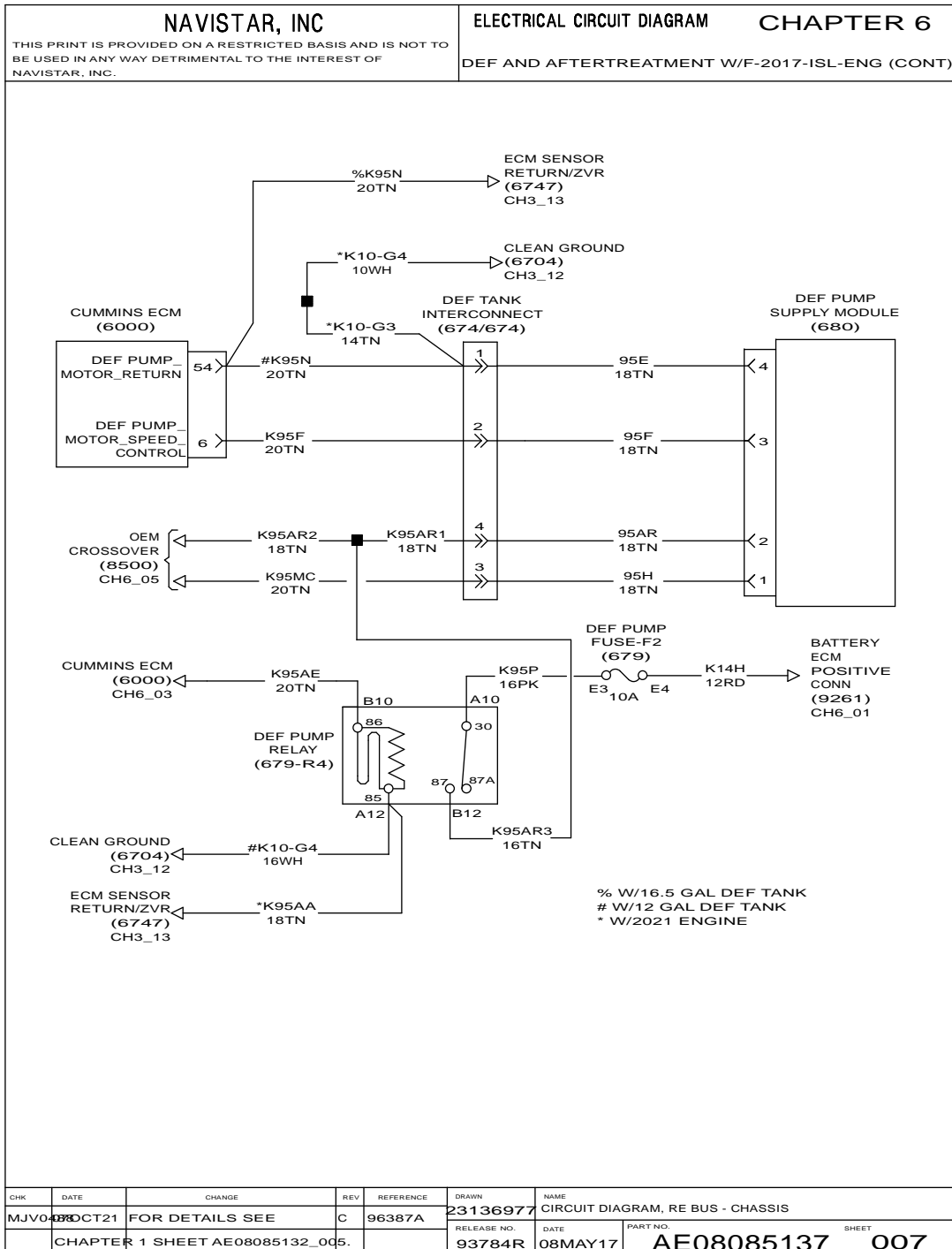


Figure 70 DEF and Aftertreatment W/ F 2017 ISL Engine (Cont.)

6.9. DEF AND AFTERTREATMENT W/ F 2017 ISL ENGINE (CONT.), P. 8

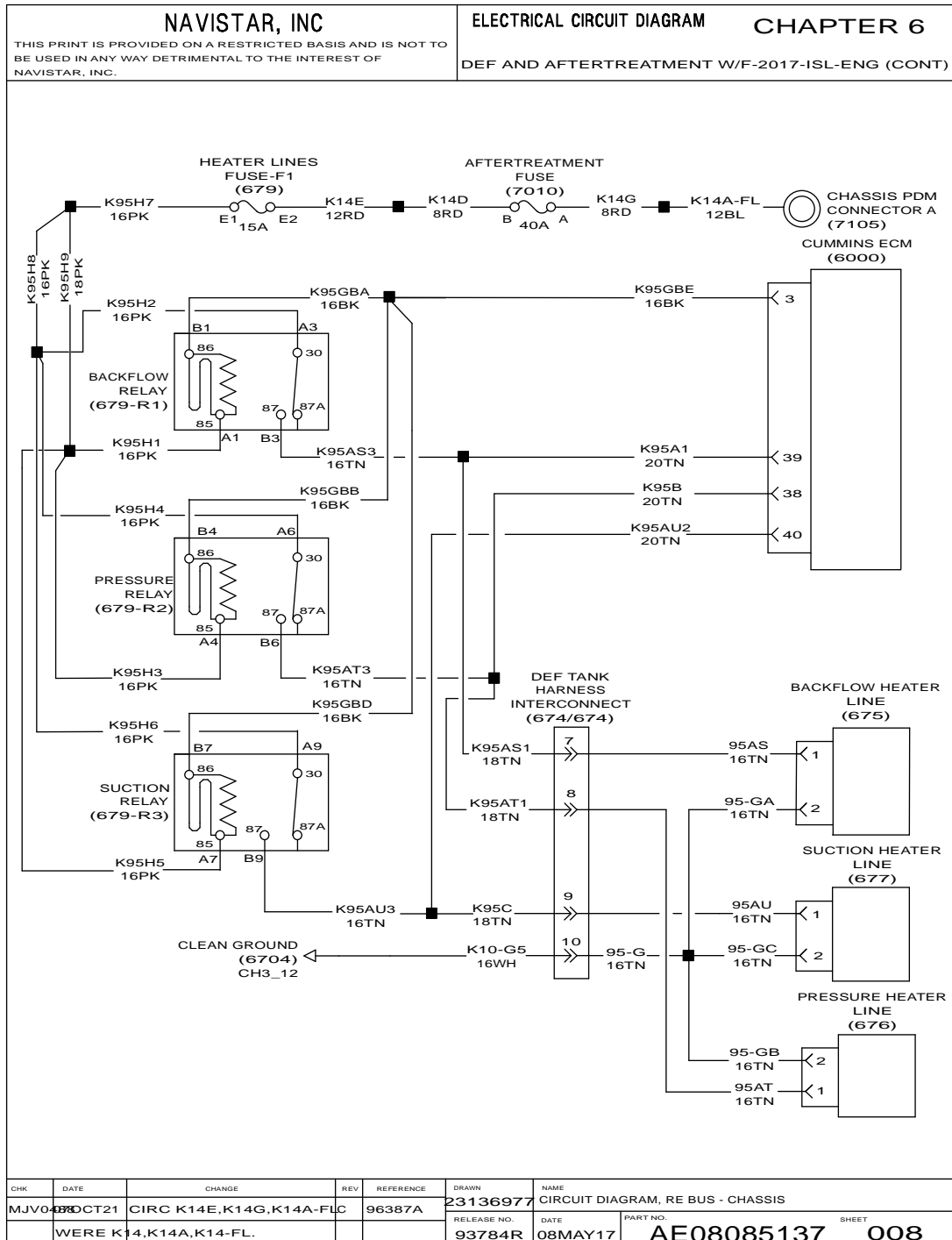


Figure 71 DEF and Aftertreatment W/ F 2017 ISL Engine (Cont.)

6.10. DEF AND AFTERTREATMENT W/ F 2017 ISL ENGINE (CONT.), P. 9

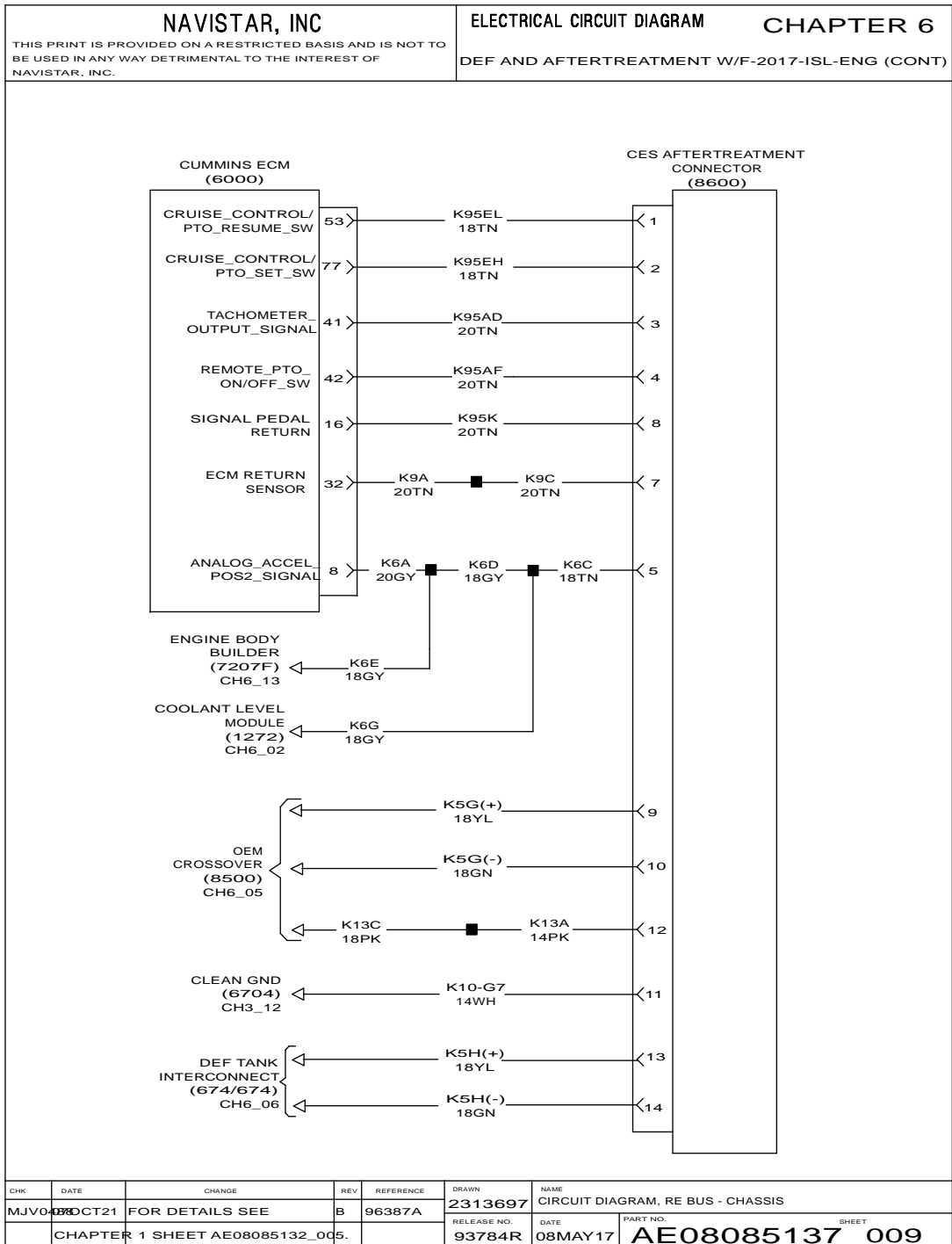


Figure 72 DEF and Aftertreatment W/ F 2017 ISL Engine (Cont.)

6.11. PDM PRODUCT GRAPHICS W/ F 2017 ISL ENGINE, P. 10

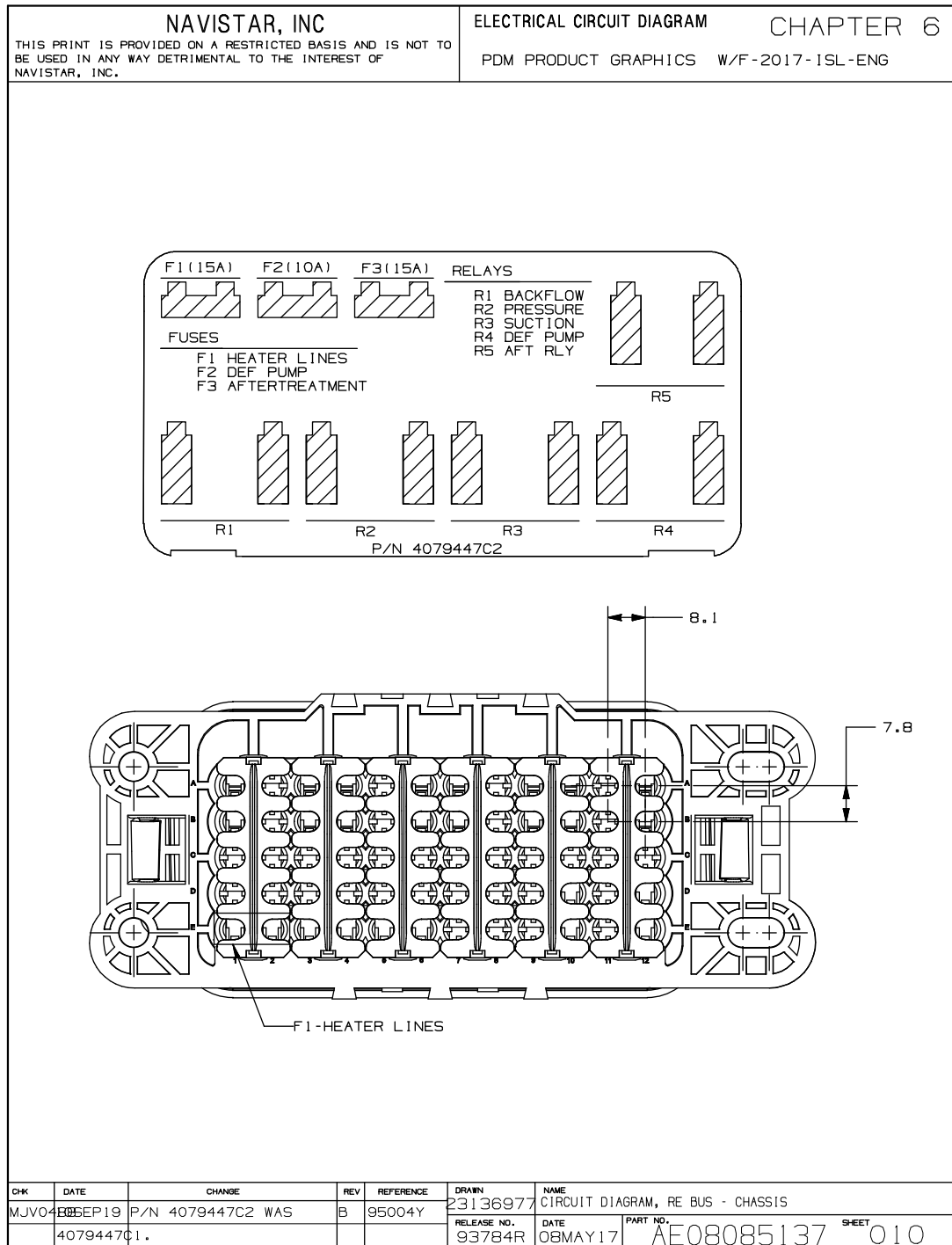


Figure 73 PDM Product Graphics W/ F 2017 ISL Engine

6.12. POWER DISTRIBUTION CONTROL MODULE, P. 11

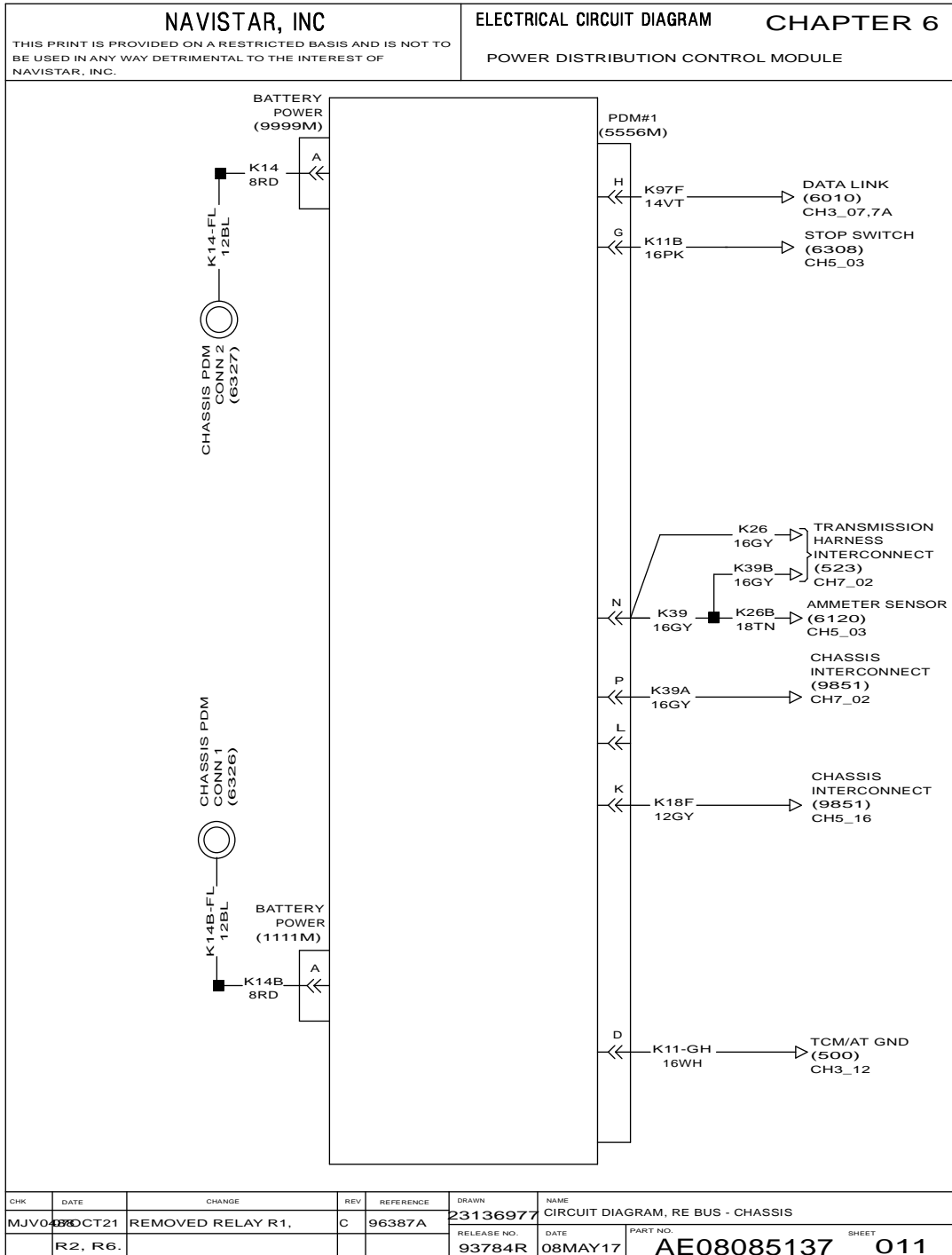


Figure 74 Power Distribution Control Module

6.13. POWER DISTRIBUTION CONTROL MODULE (CONT.), P. 12

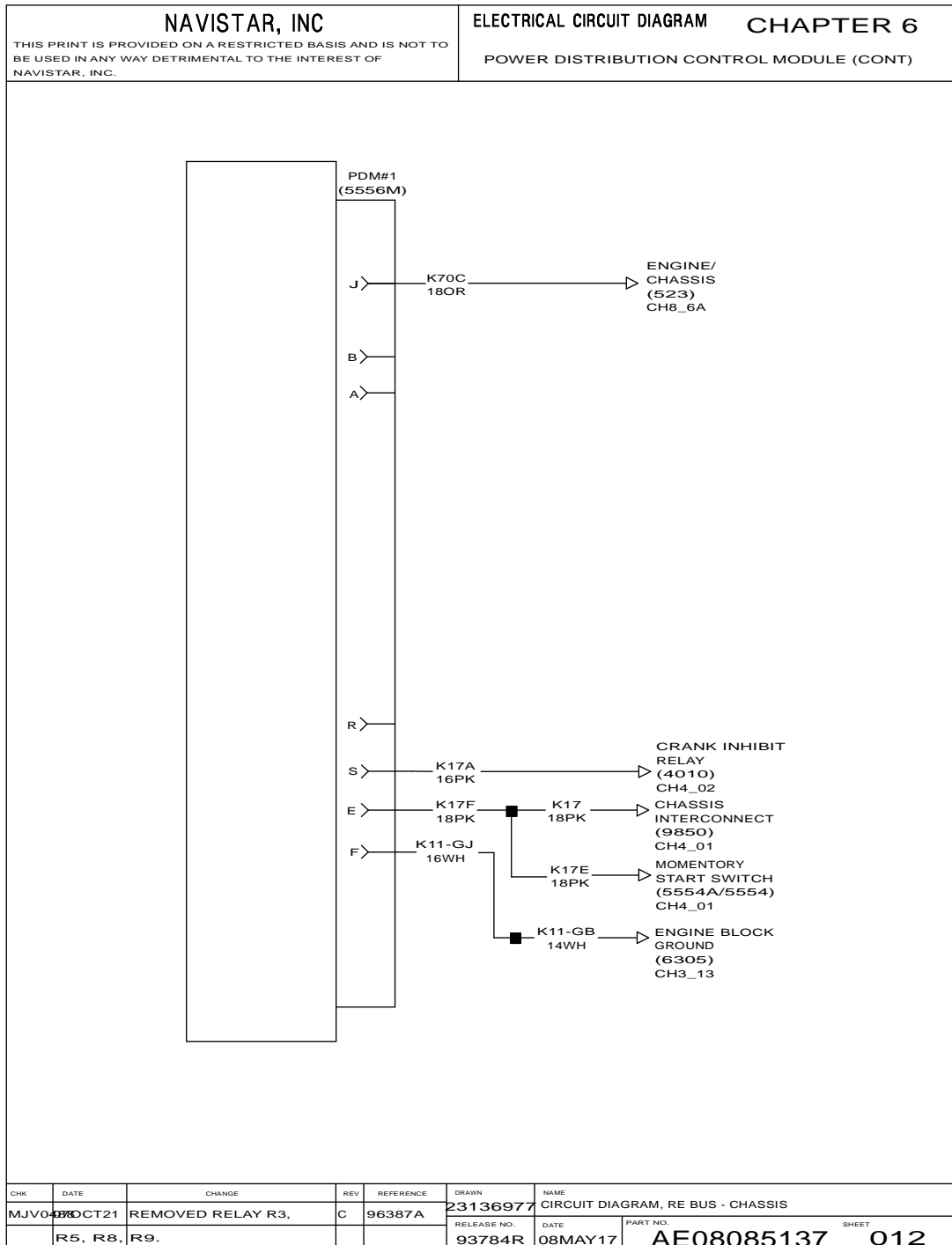


Figure 75 Power Distribution Control Module (Cont.)

6.14. POWER DISTRIBUTION CONTROL MODULE (CONT.), P. 13

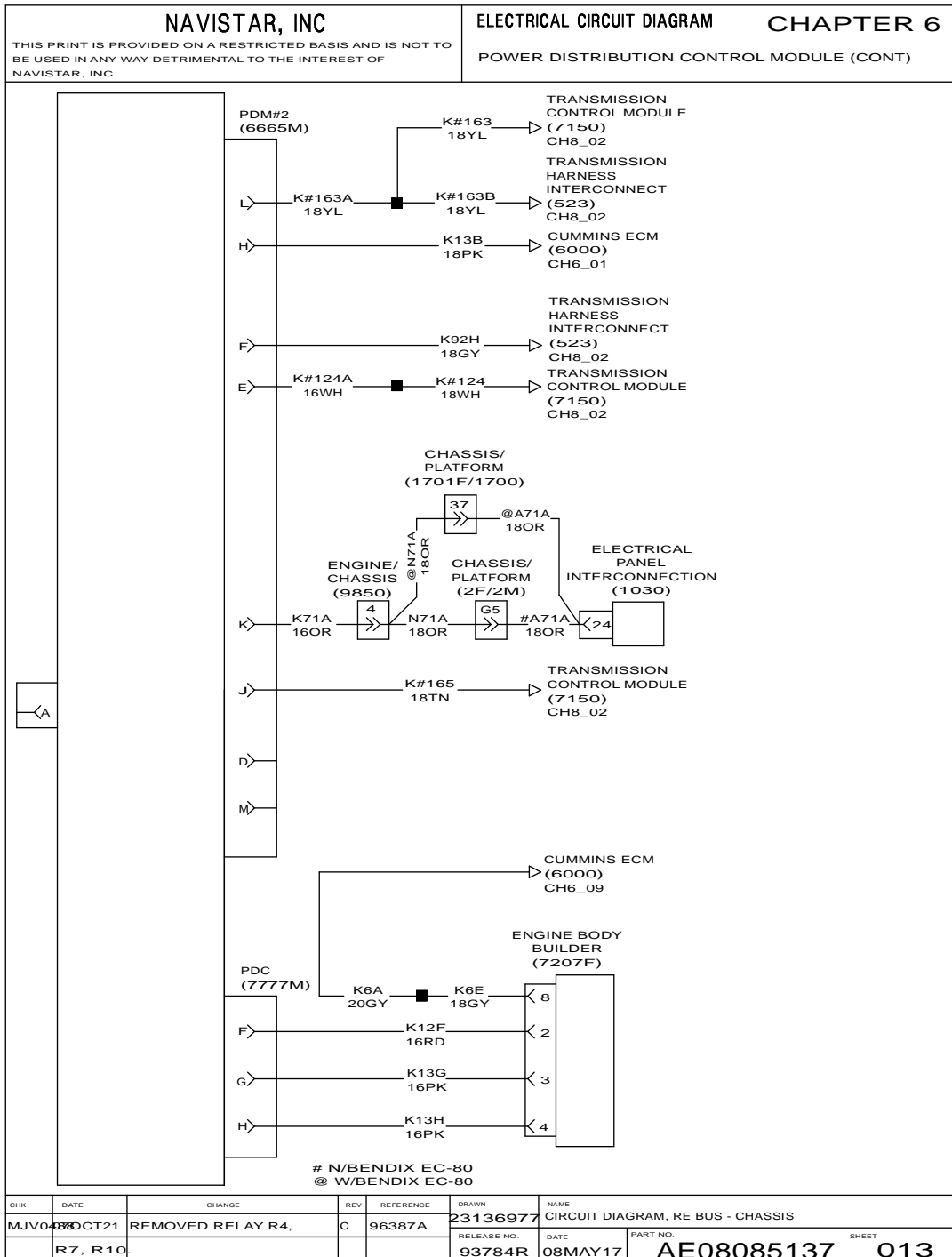


Figure 76 Power Distribution Control Module (Cont.)

CHASSIS SYSTEM (CHAPTER 7)

7.1. ELECTRIC HORN, P. 1

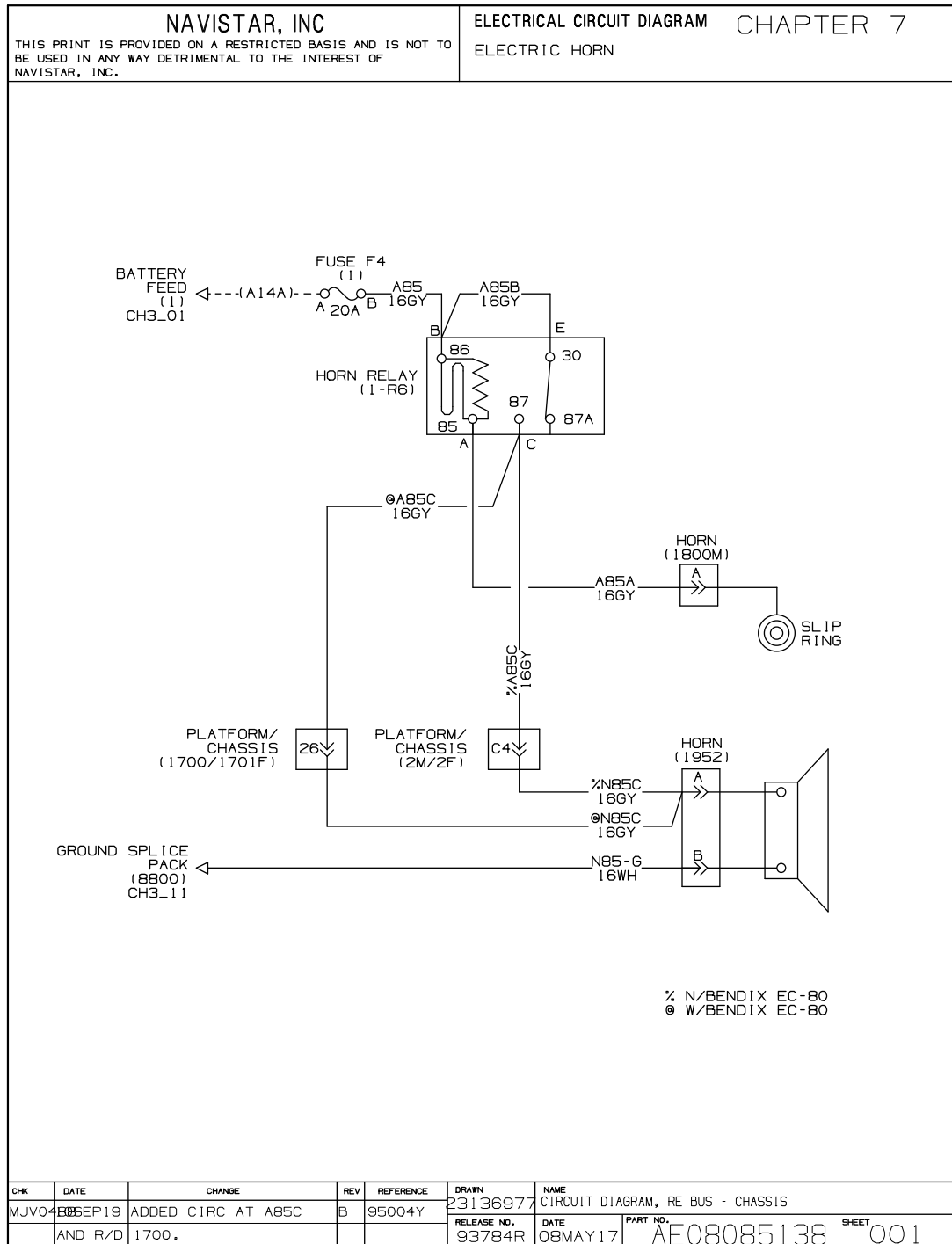


Figure 77 Electric Horn

7.2. AIR DRYER AND DRAIN VALVE WIRING, P. 2

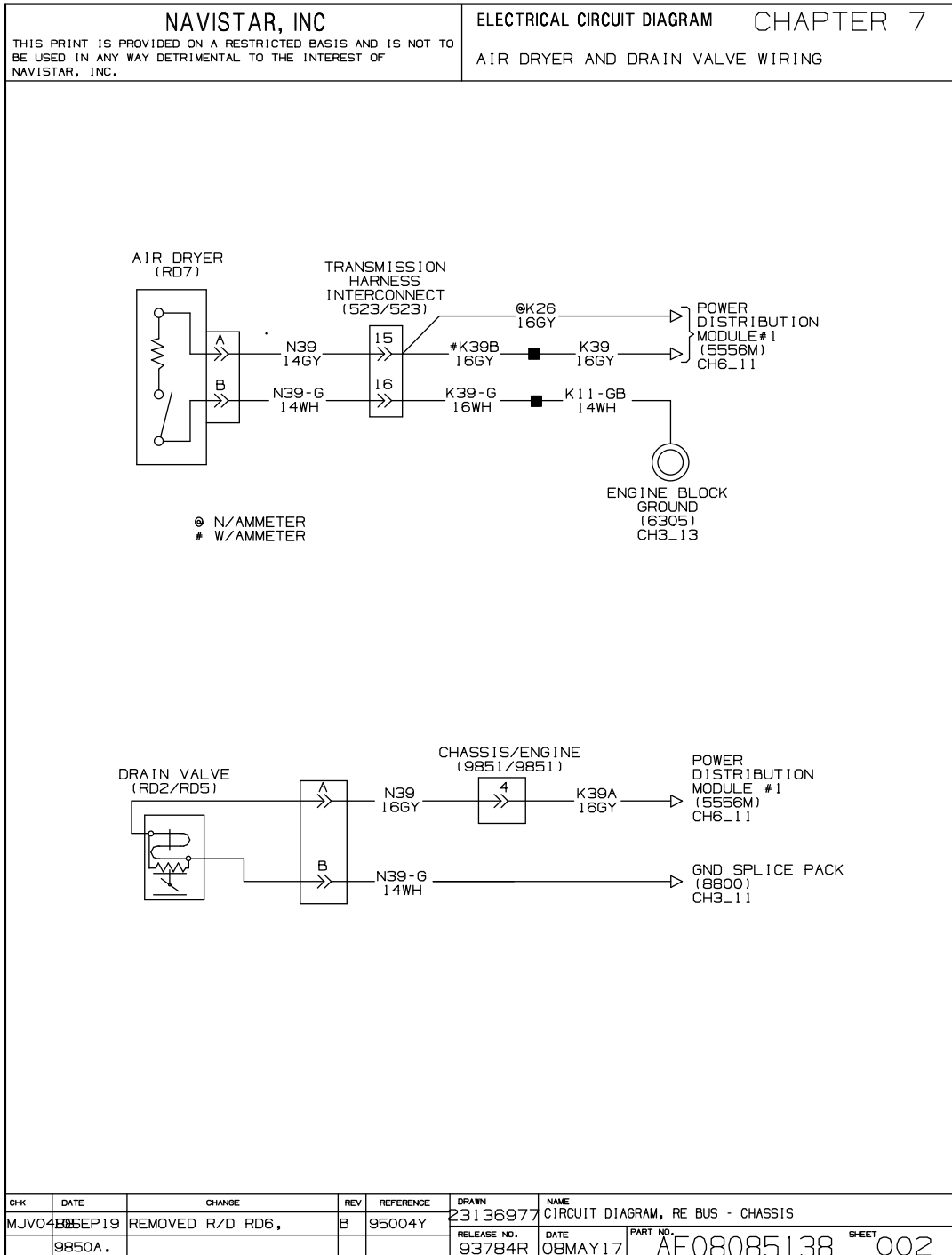


Figure 78 Air Dryer and Drain Valve Wiring

7.3. TRACTION AIDS - TRACTION SANDERS, P. 3

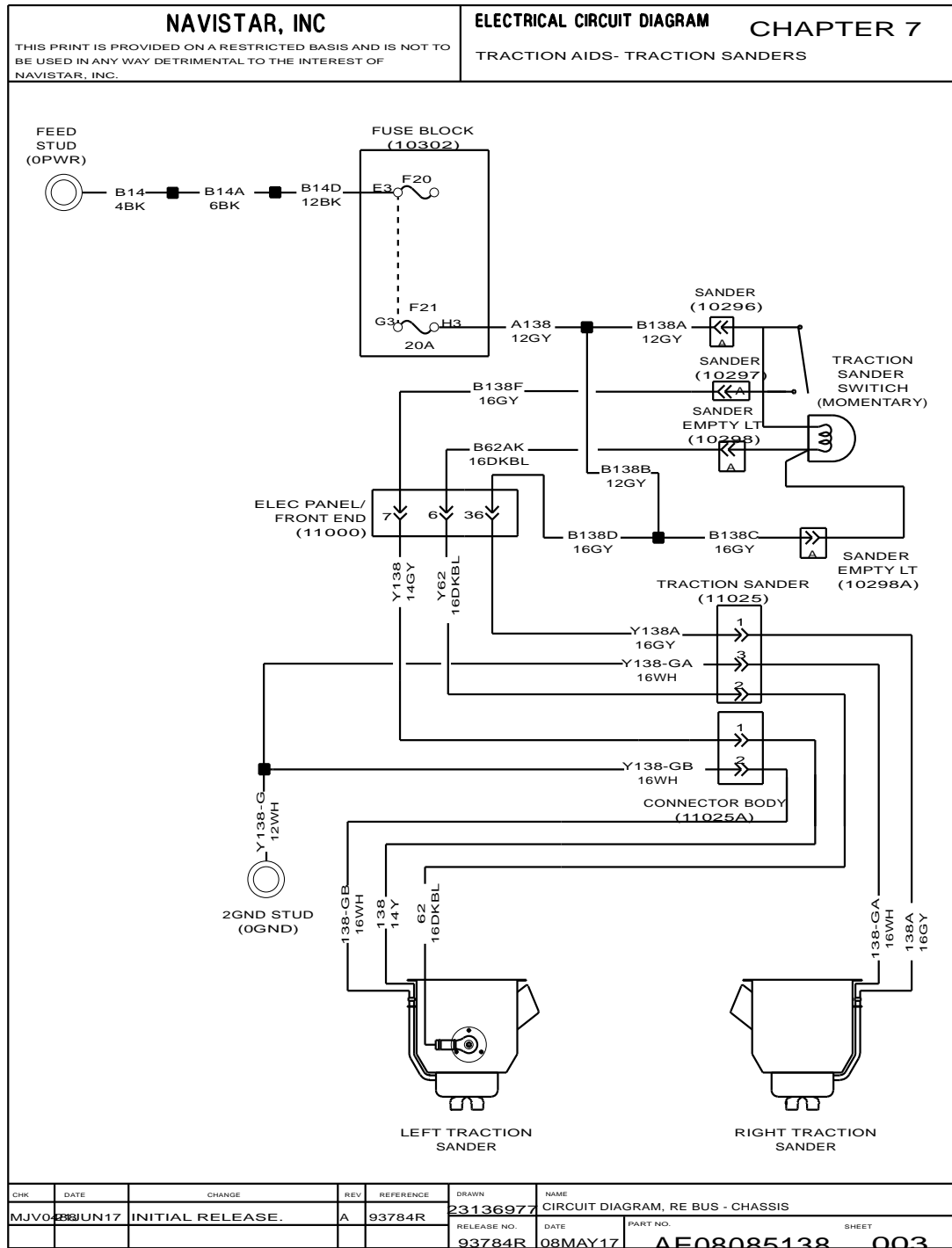


Figure 79 Traction Aids - Traction Sanders

7.4. TRACTION AID - SPOT CHAIN, P. 4

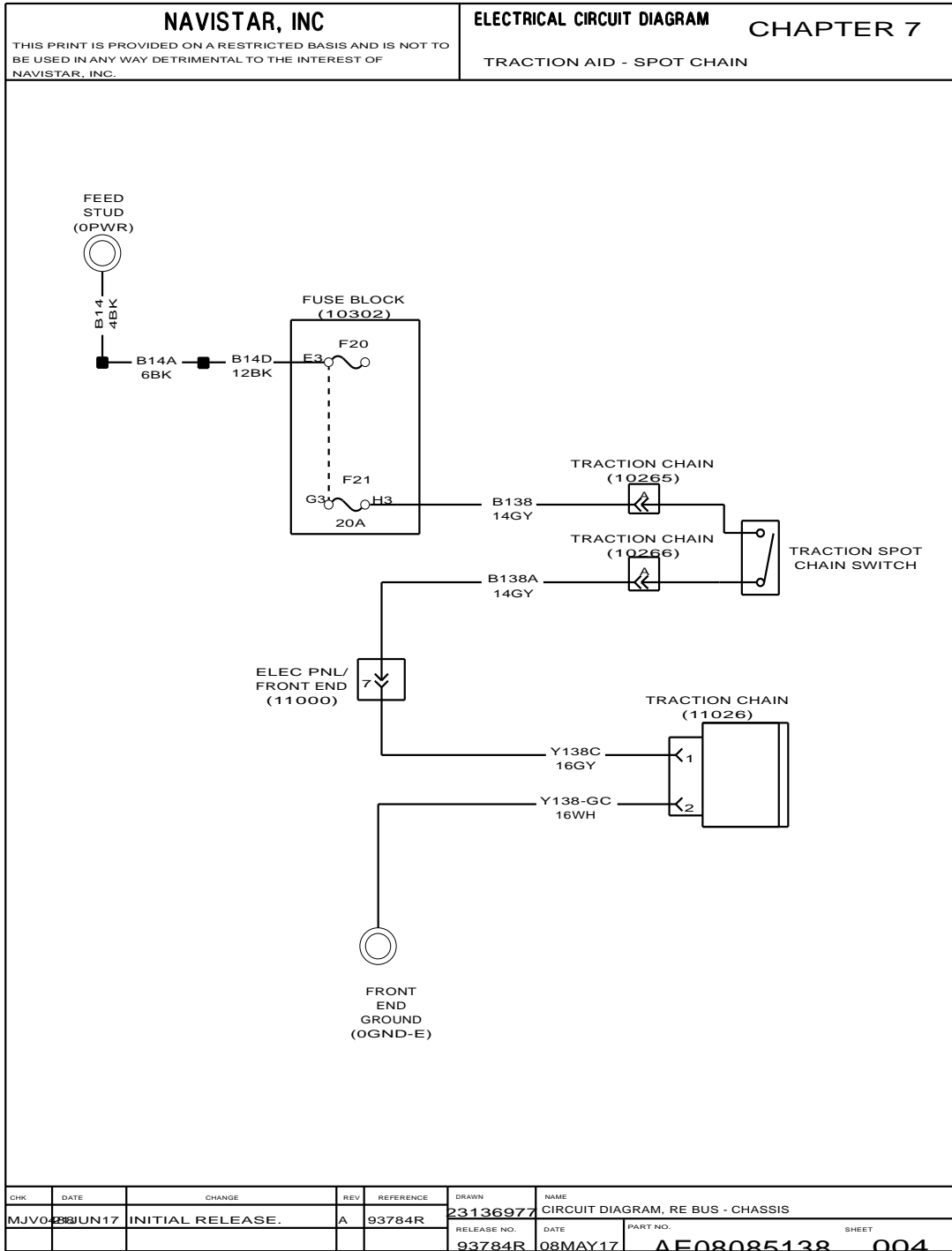


Figure 80 Traction Aid - Spot Chain

7.5. STANDARD SINGLE WIPER SWITCH WIRING, P. 5

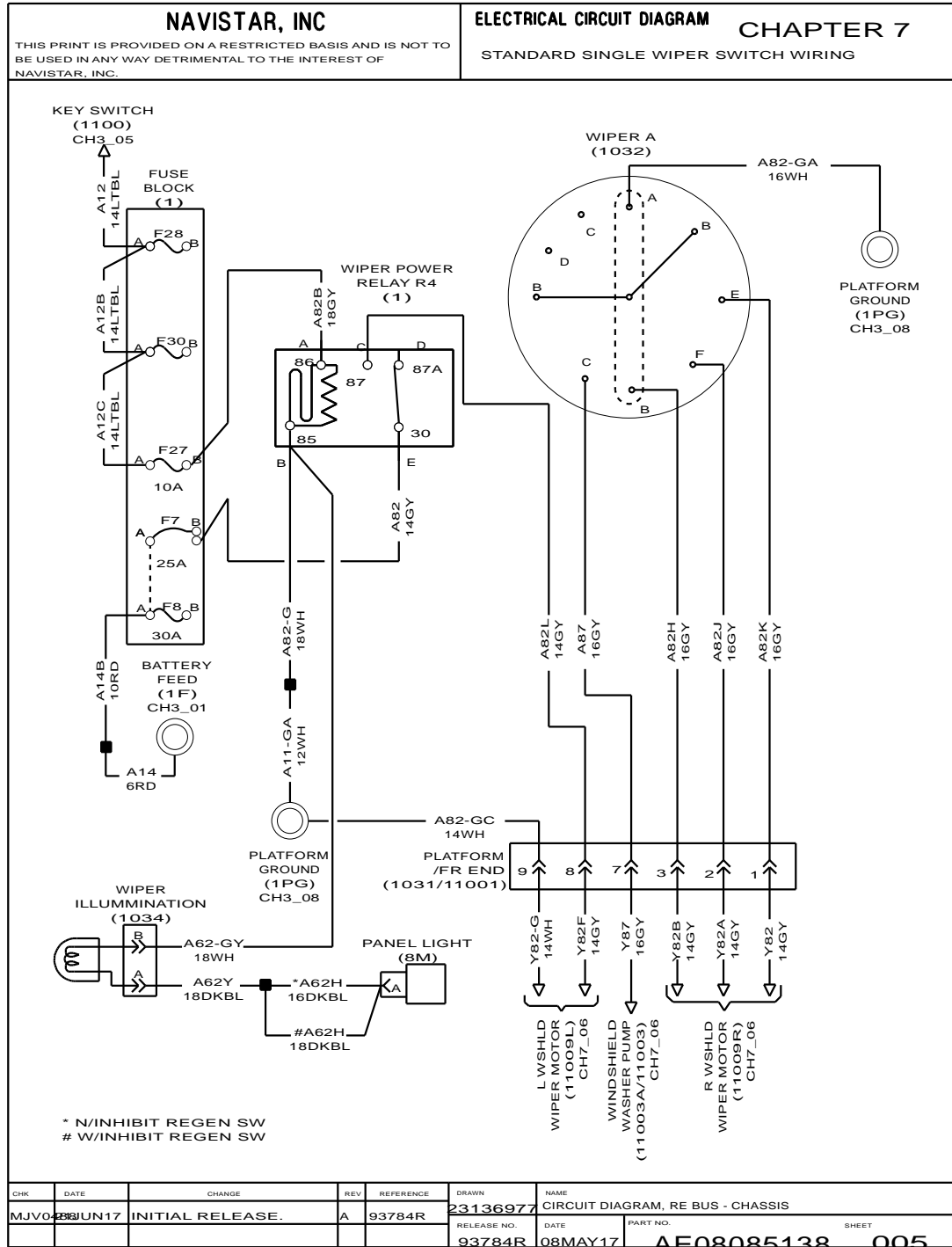


Figure 81 Standard Single Wiper Switch Wiring

7.6. STANDARD SINGLE WIPER SWITCH WIRING (CONT.), P. 6

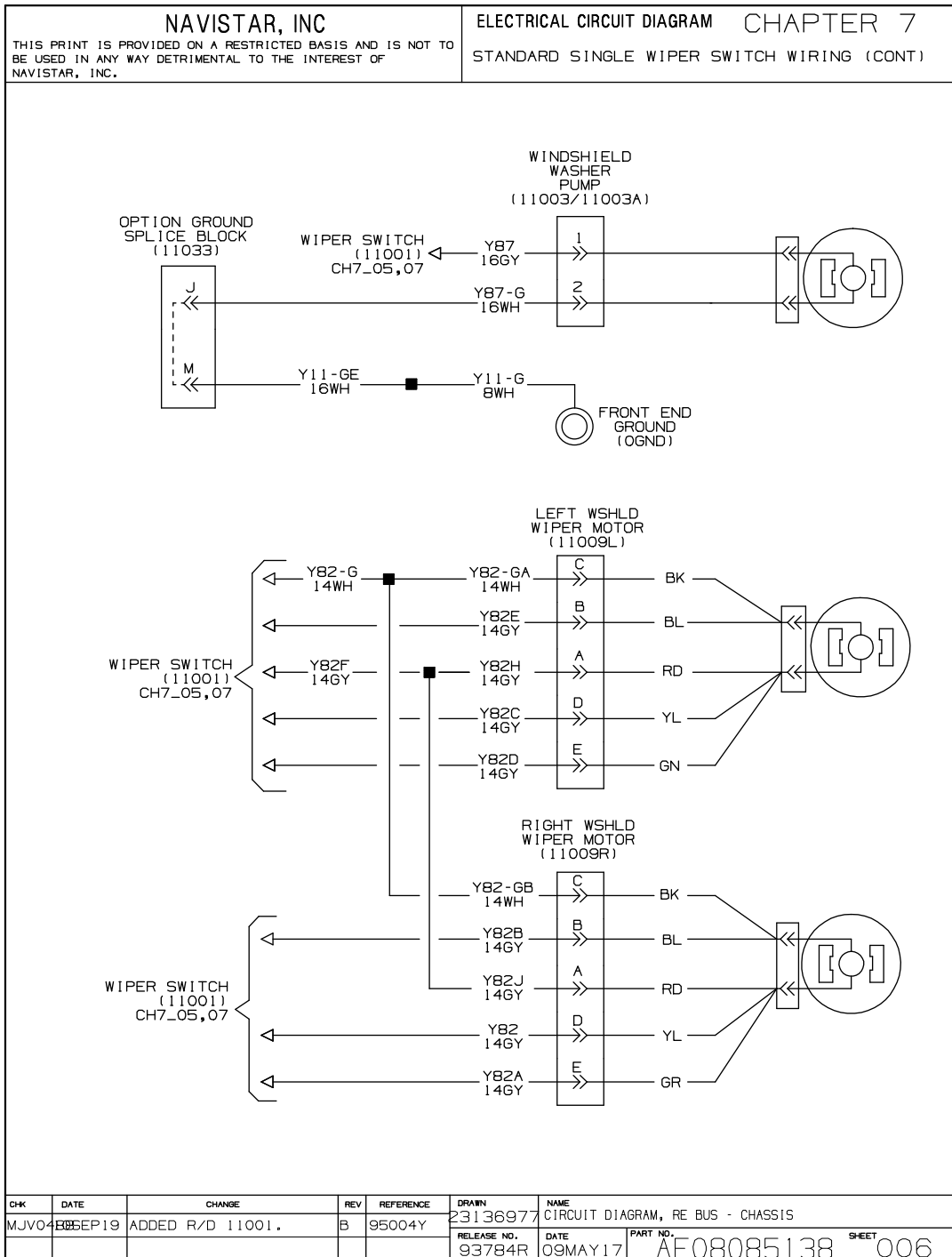


Figure 82 Standard Single Wiper Switch Wiring (Cont.)

7.7. DUAL WIPER SWITCH WIRING, P. 7

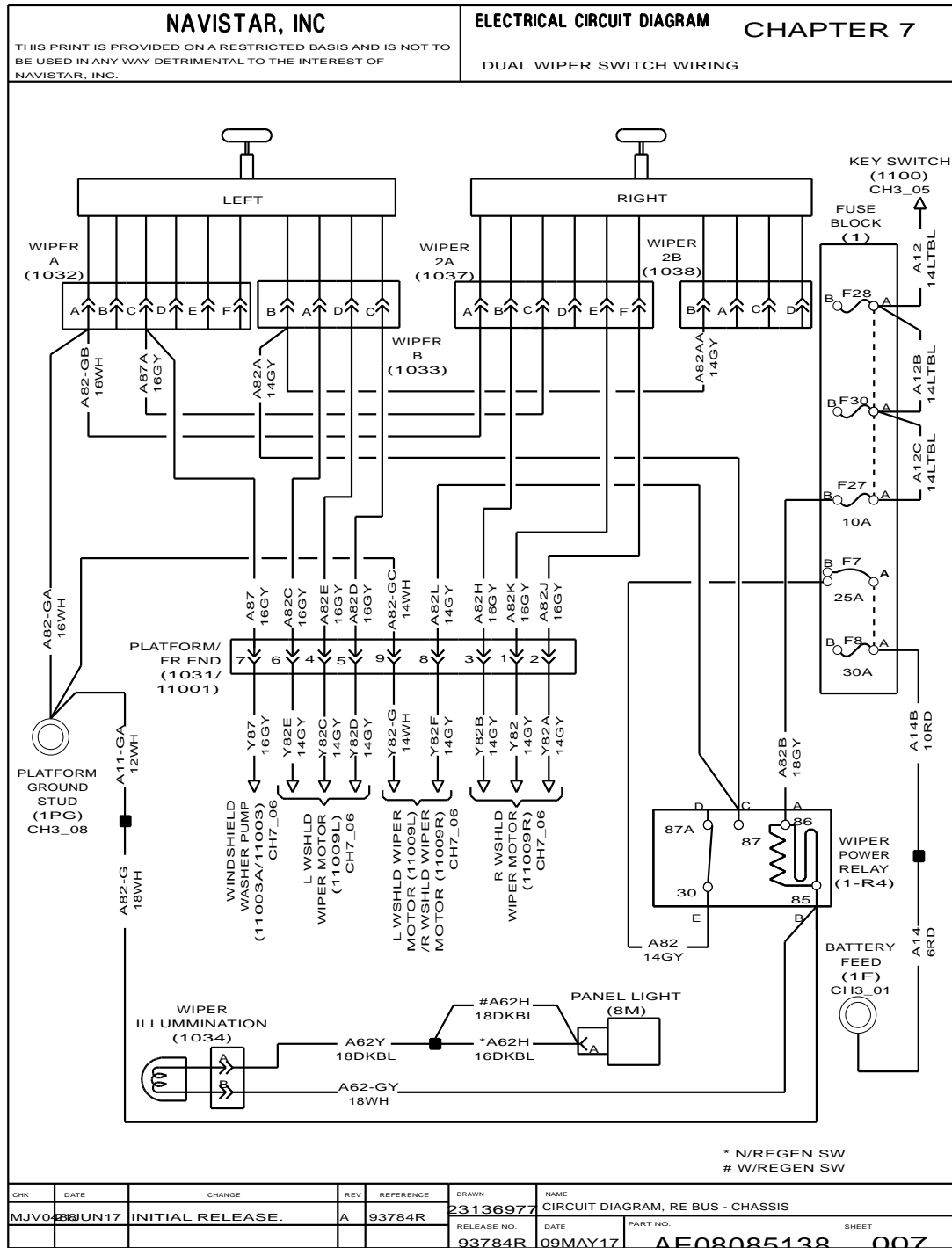


Figure 83 Dual Wiper Switch Wiring

TRANSMISSION AND TRANSMISSION SYSTEMS (CHAPTER 8)

8.1. ALLISON TRANSMISSION W/ F 2017 ISL ENGINE, P. 1

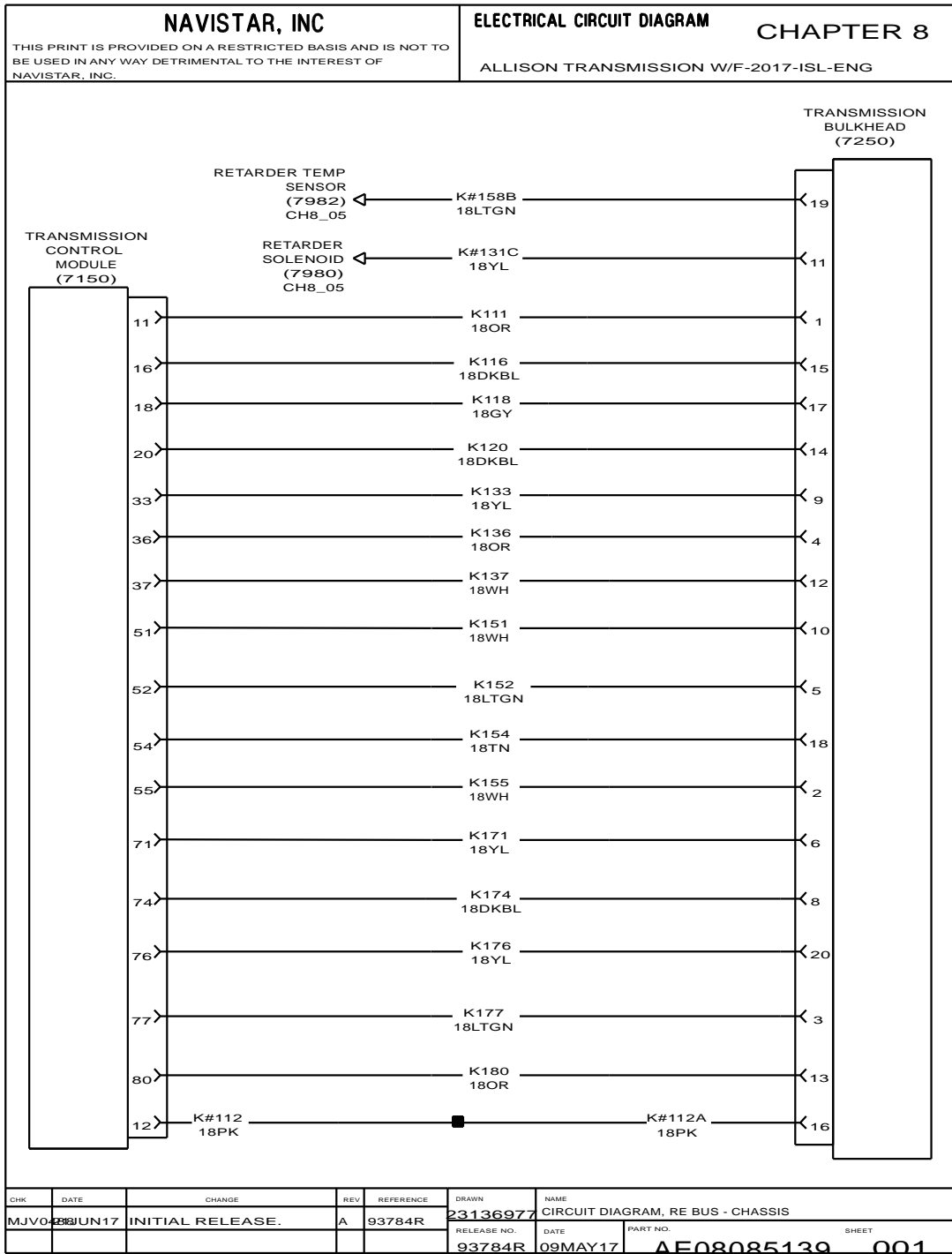


Figure 84 Allison Transmission W/ F 2017 ISL Engine

8.2. ALLISON TRANSMISSION W/ F 2017 ISL ENGINE (CONT.), P. 2

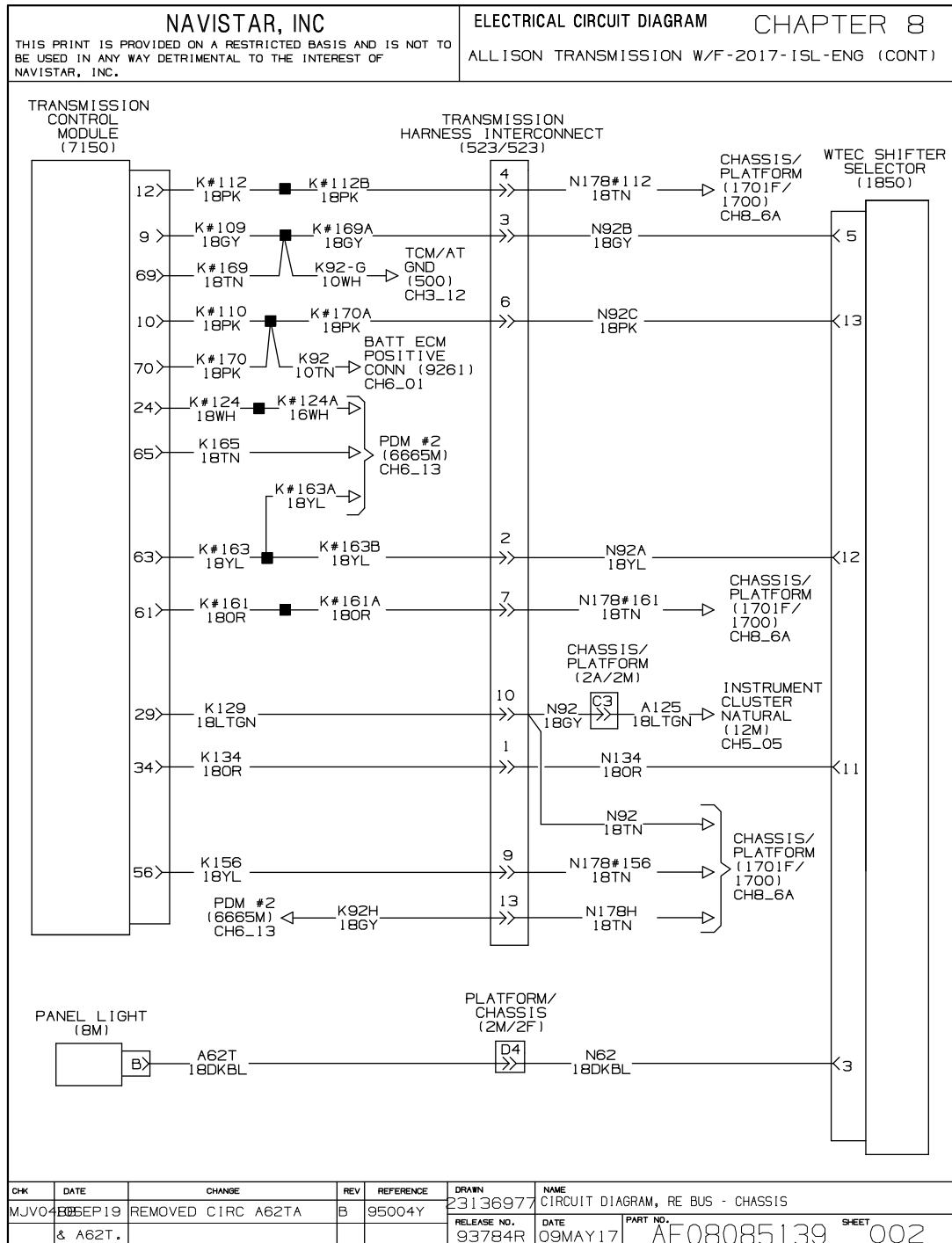


Figure 85 Allison Transmission W/ F 2017 ISL Engine (Cont.)

8.3. ALLISON TRANSMISSION W/ F 2017 ISL ENGINE (CONT.), P. 3

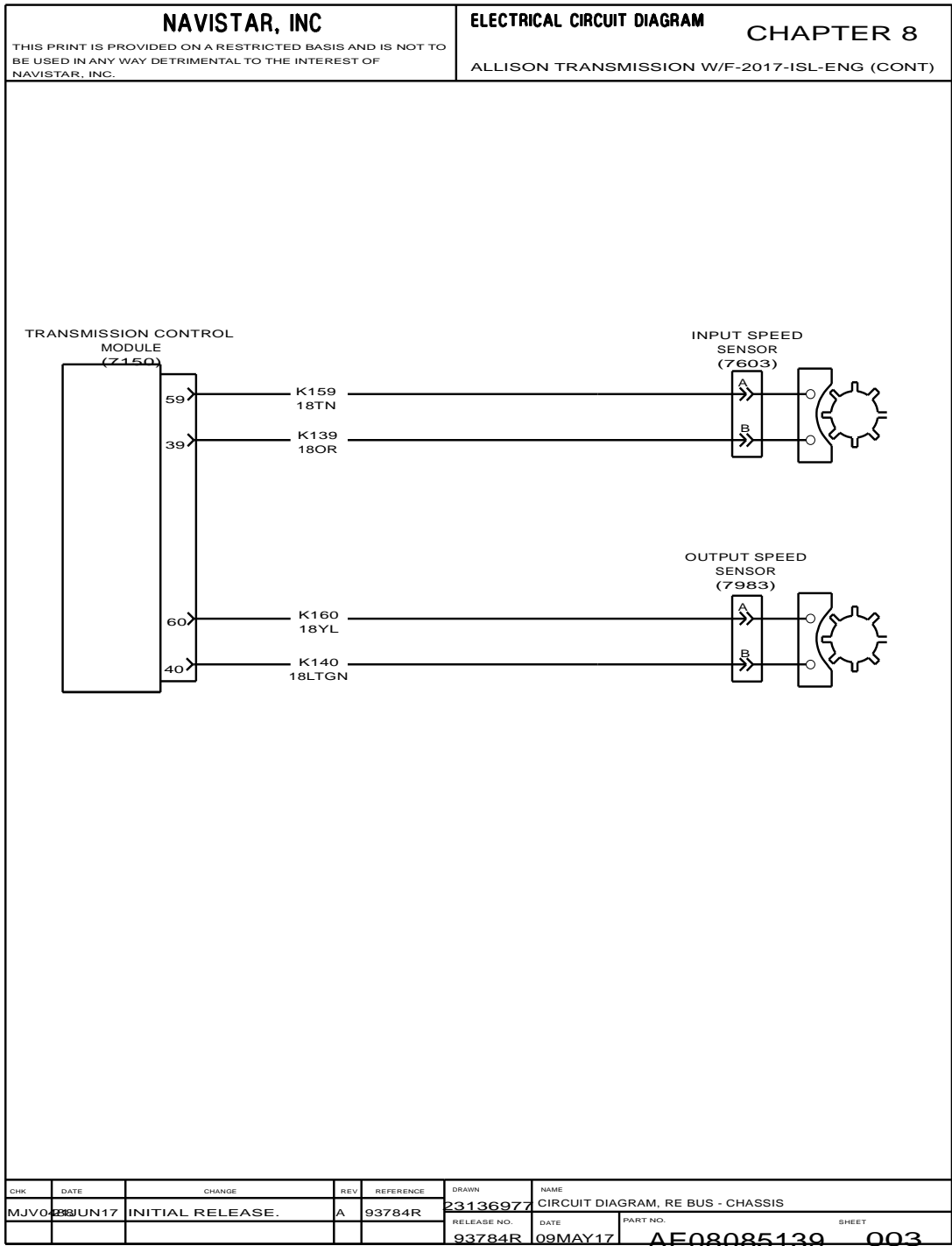


Figure 86 Allison Transmission W/ F 2017 ISL Engine

8.4. ALLISON TRANSMISSION W/ F 2017 ISL ENGINE (CONT.), P. 4

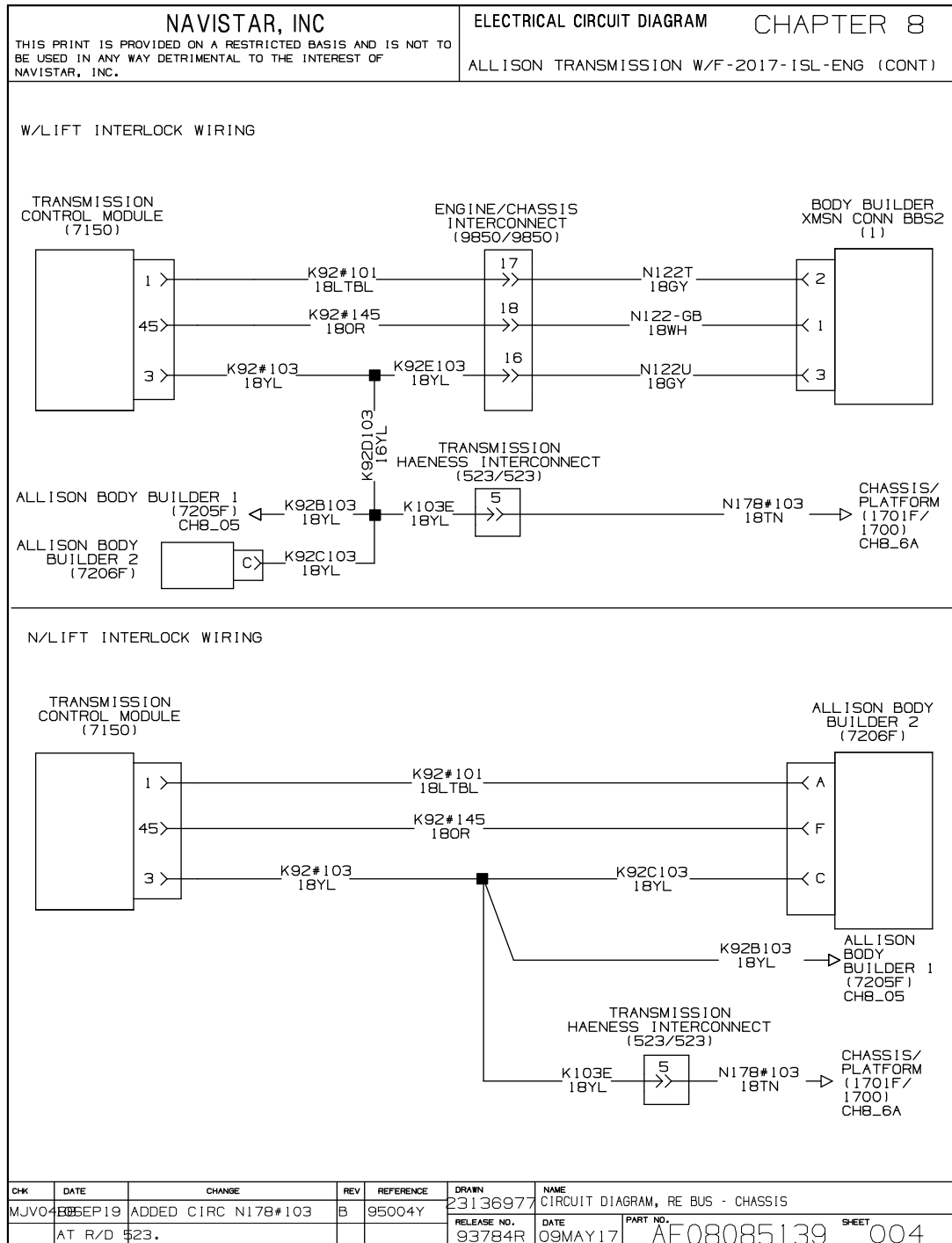


Figure 87 Allison Transmission W/ F 2017 ISL Engine (Cont.)

8.5. ALLISON TRANSMISSION 3000 W/ RETARDER W/ F 2017 ISL ENGINE, P. 5

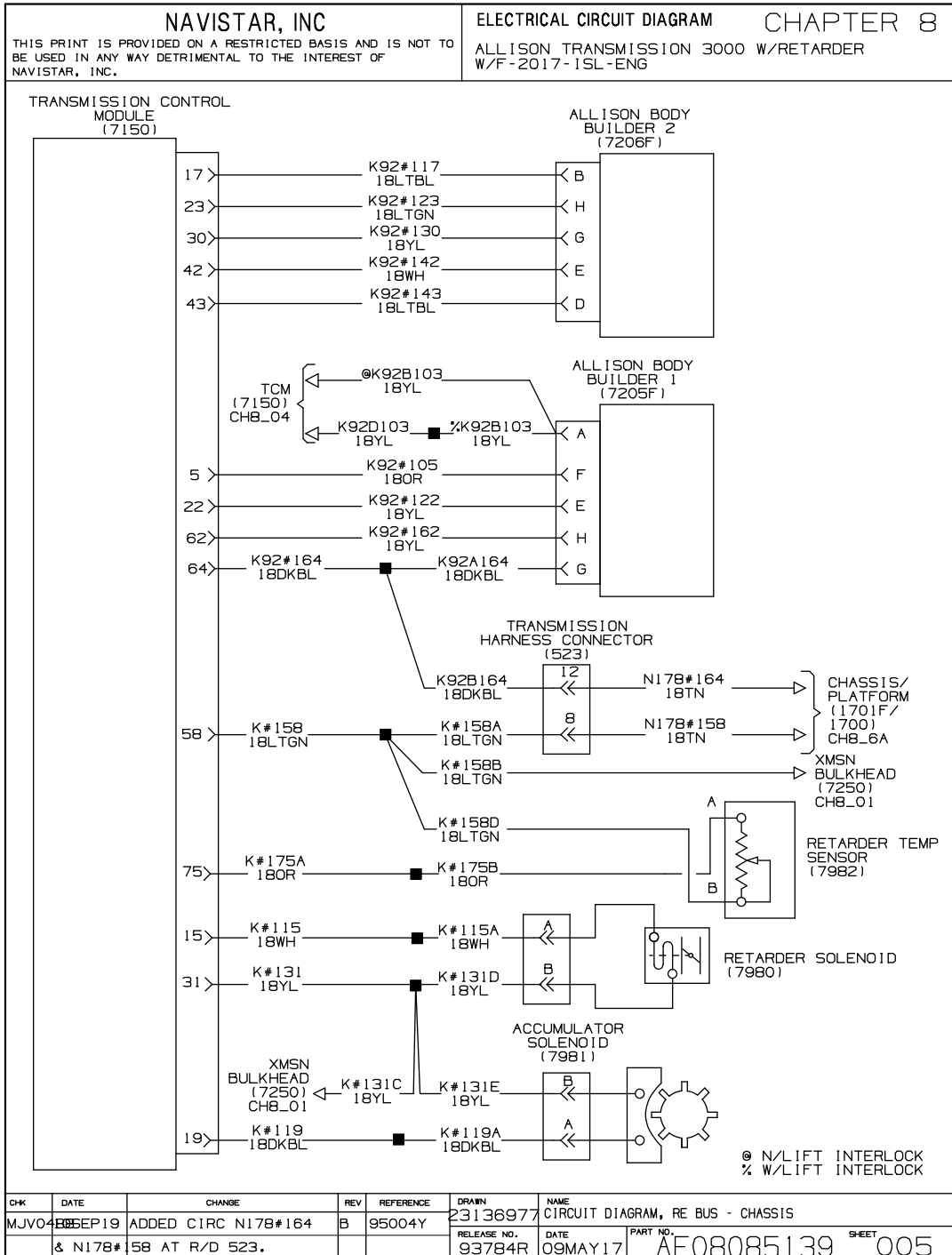


Figure 88 Allison Transmission 3000 w/ Retarder W/ F 2017 ISL Engine

8.6. ALLISON TRANSMISSION 3000 W/ RETARDER W/ F 2017 ISL ENGINE (CONT.), P. 6

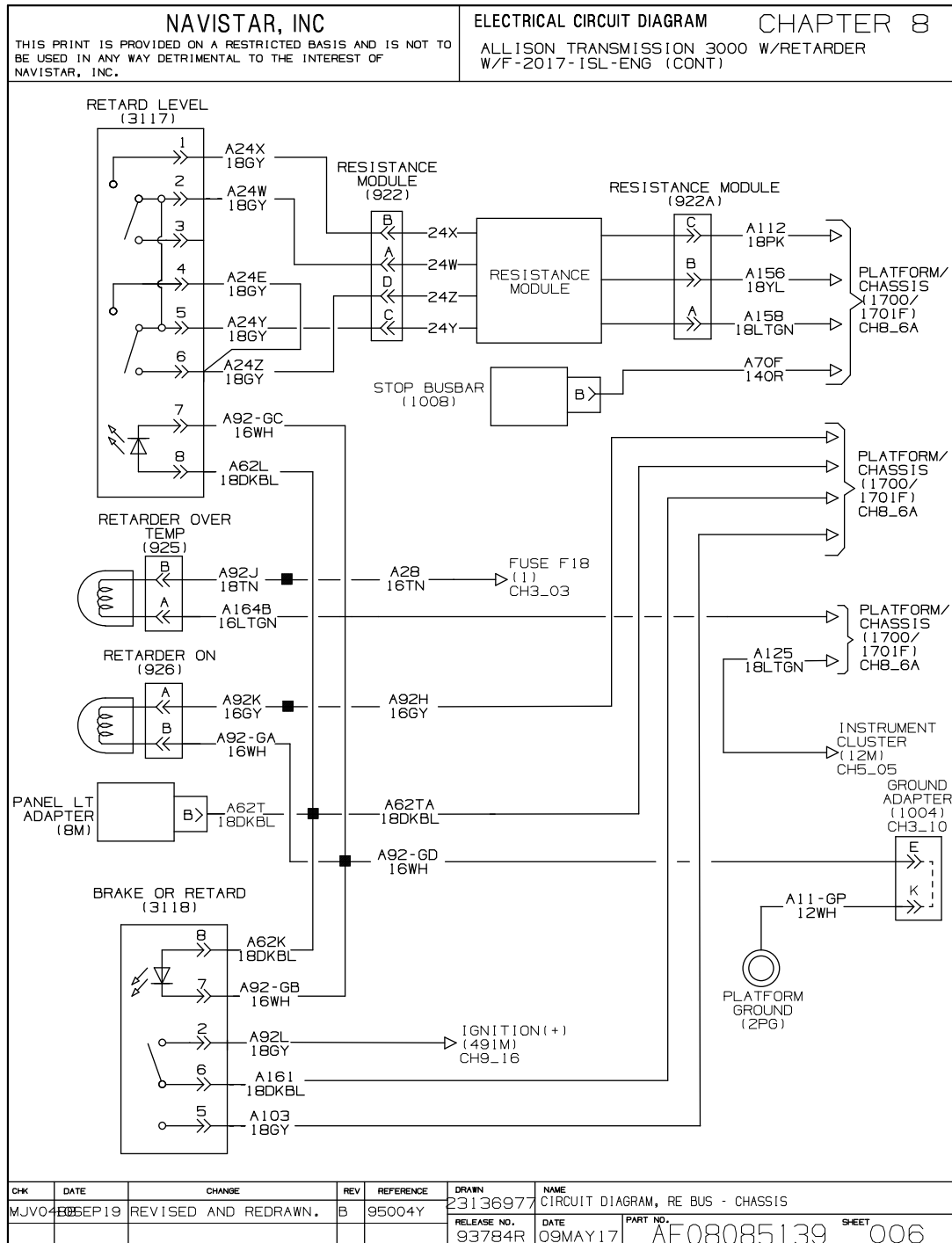


Figure 89 Allison Transmission 3000 w/ Retarder W/ F 2017 ISL Engine (Cont.)

8.7. ALLISON TRANSMISSION 3000 W/ RETARDER W/ F 2017 ISL ENGINE (CONT.), P. 6A

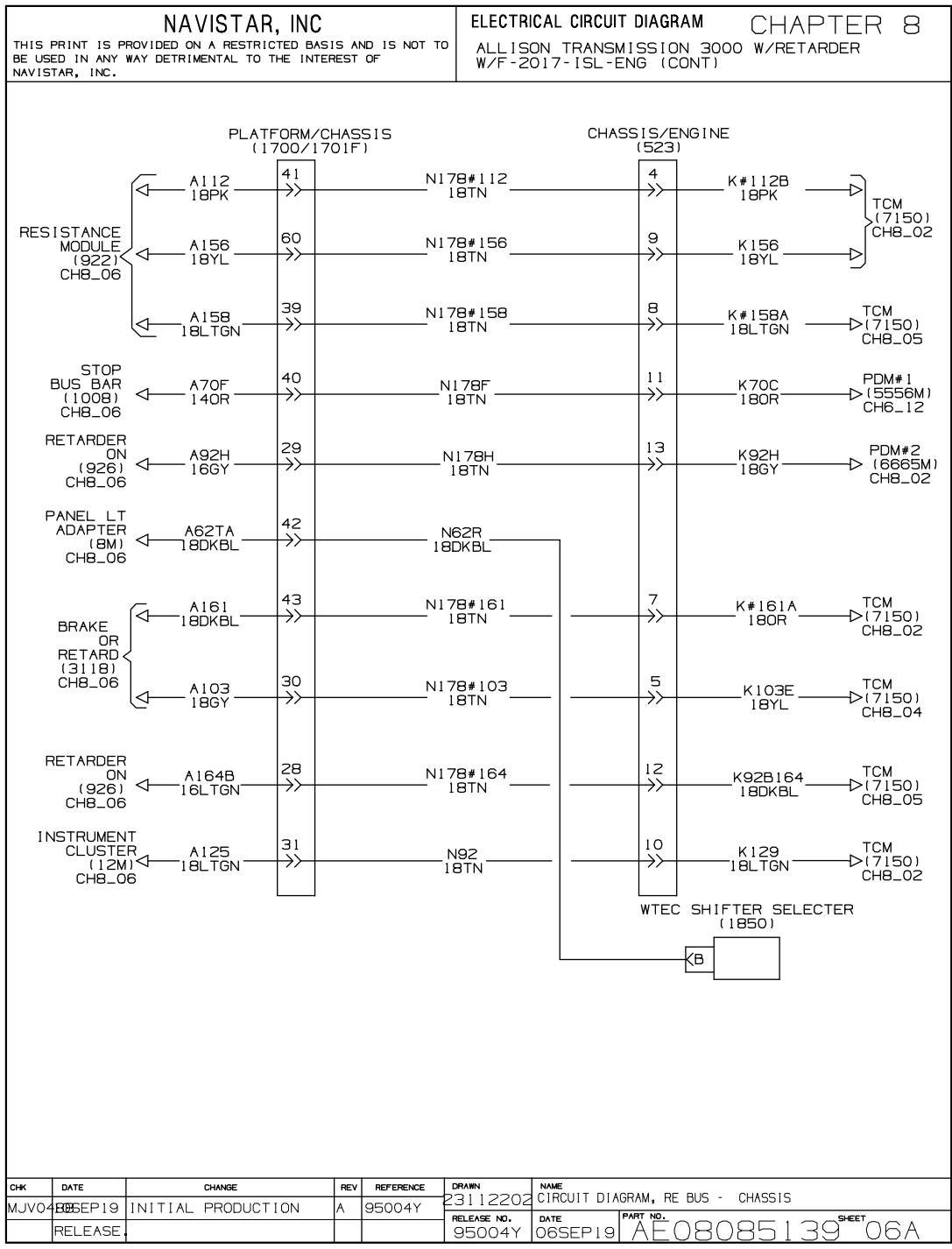


Figure 90 Allison Transmission 3000 w/ Retarder W/ F 2017 ISL Engine (Cont.)

BRAKE SYSTEM (CHAPTER 9)

9.1. BENDIX AIR BRAKE ABS W / CHASSIS MOUNTED MODULE, P. 1

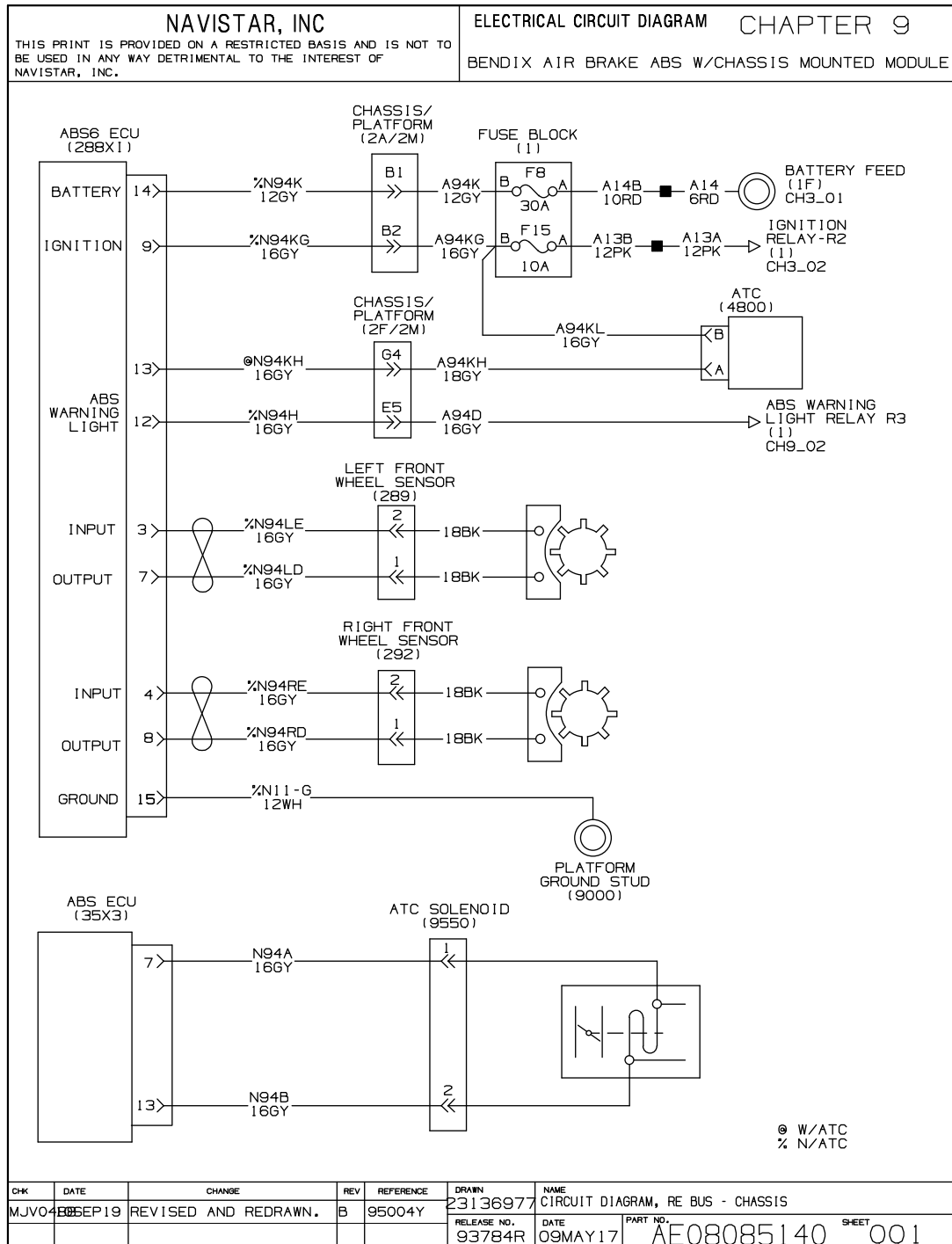


Figure 91 Bendix Air Brake ABS w / Chassis Mounted Module

9.2. BENDIX AIR BRAKE ABS W / CHASSIS MOUNTED MODULE (CONT.), P. 2

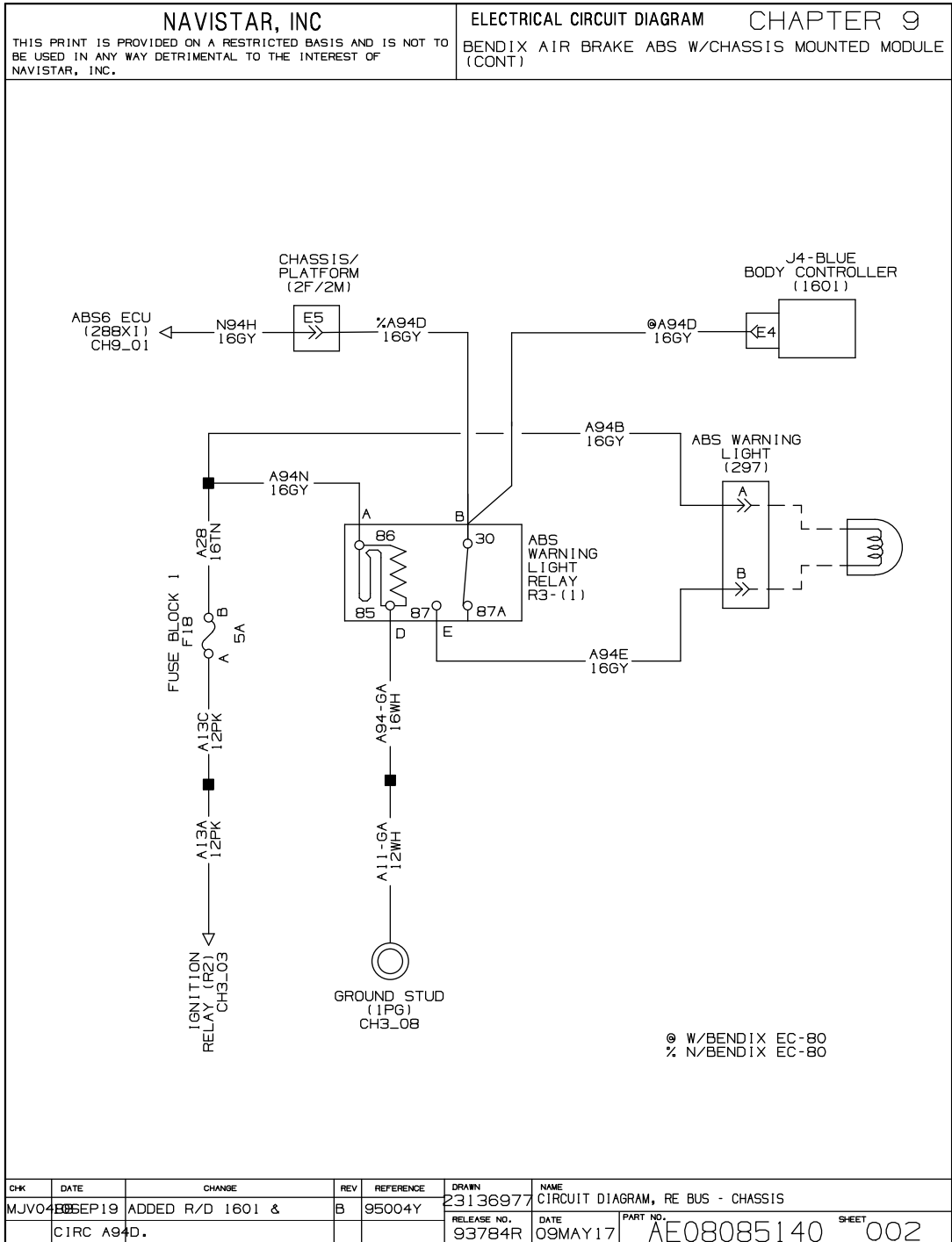


Figure 92 Bendix Air Brake ABS w / Chassis Mounted Module (Cont.)

9.3. BENDIX AIR BRAKE ABS W / CHASSIS MOUNTED MODULE (CONT.), P. 3

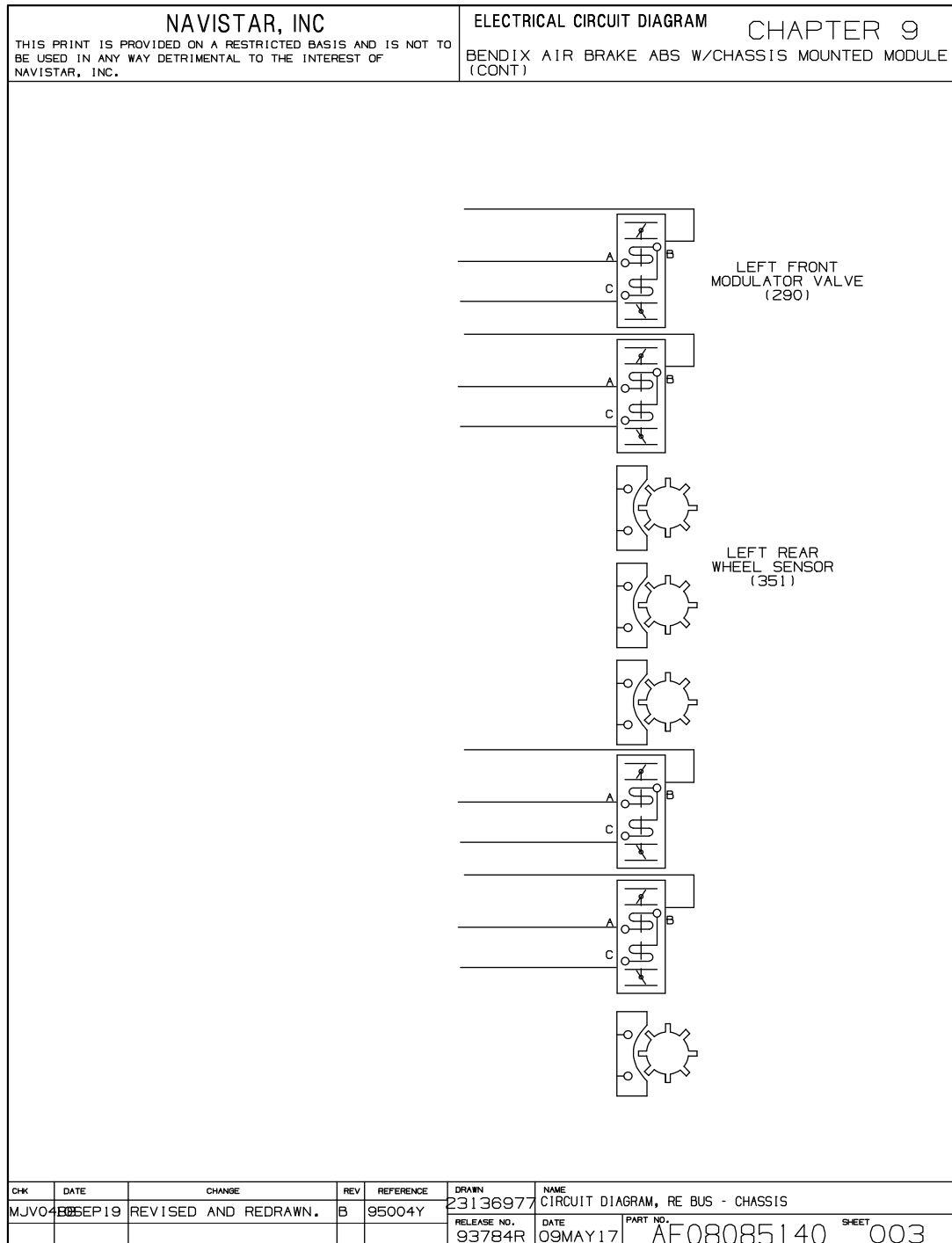


Figure 93 Bendix Air Brake ABS w / Chassis Mounted Module (Cont.)

9.4. CRUISE CONTROL AND ELECTRONIC HAND THROTTLE, P. 4

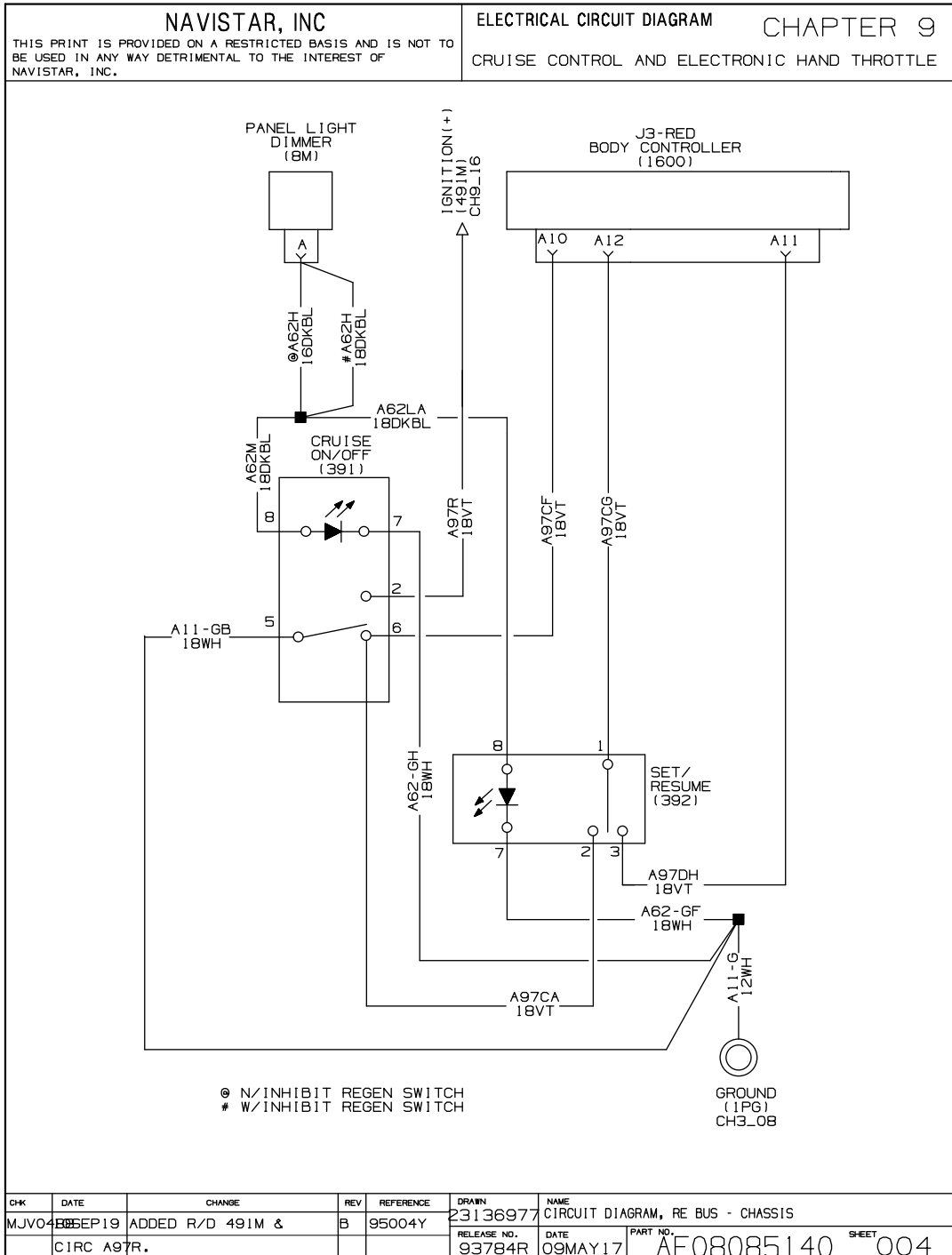


Figure 94 Cruise Control and Electronic Hand Throttle

9.5. EXHAUST AFTERTREATMENT CONTROL SYSTEM, P. 5

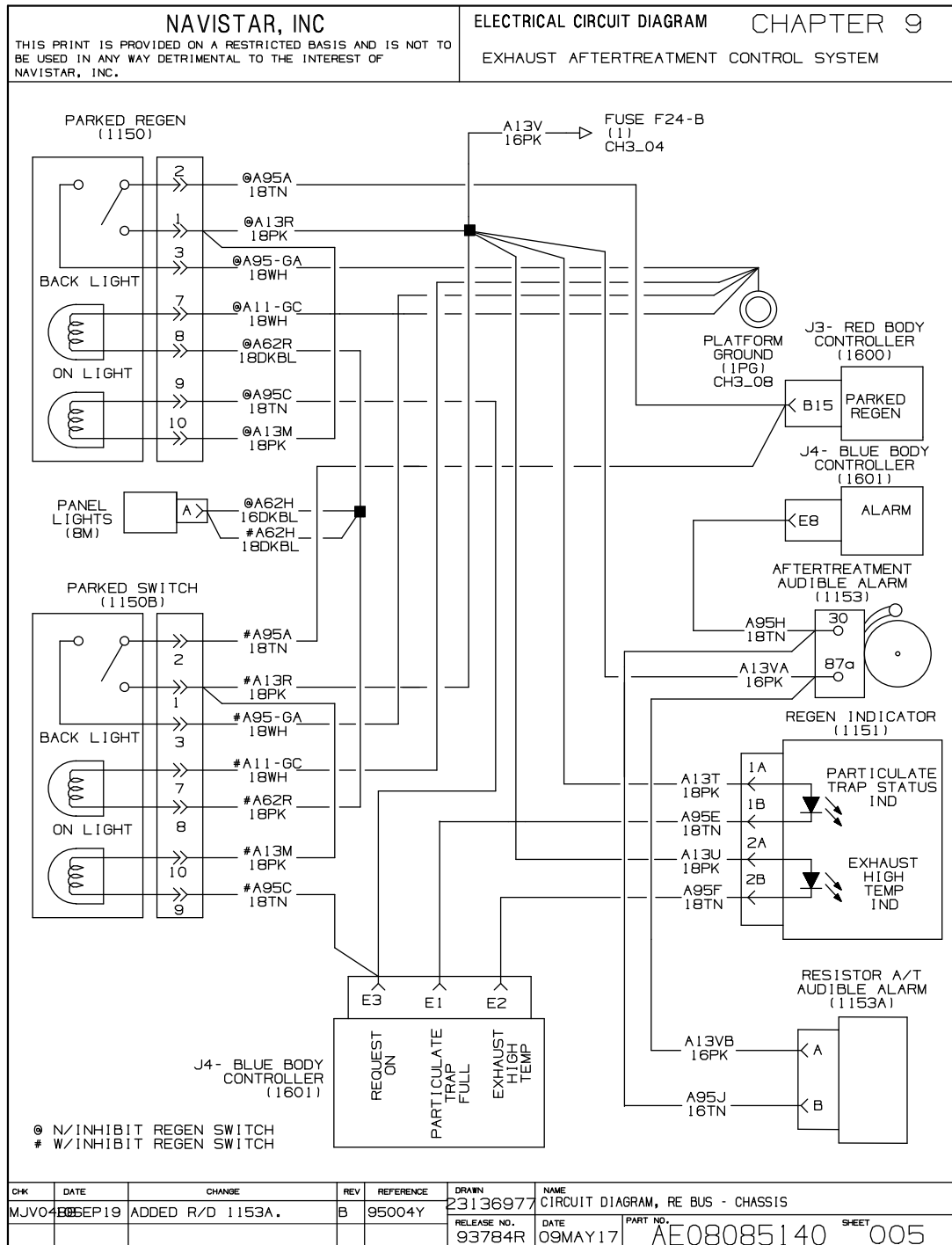


Figure 95 Exhaust Aftertreatment Control System

9.6. EXHAUST BRAKE, P. 6

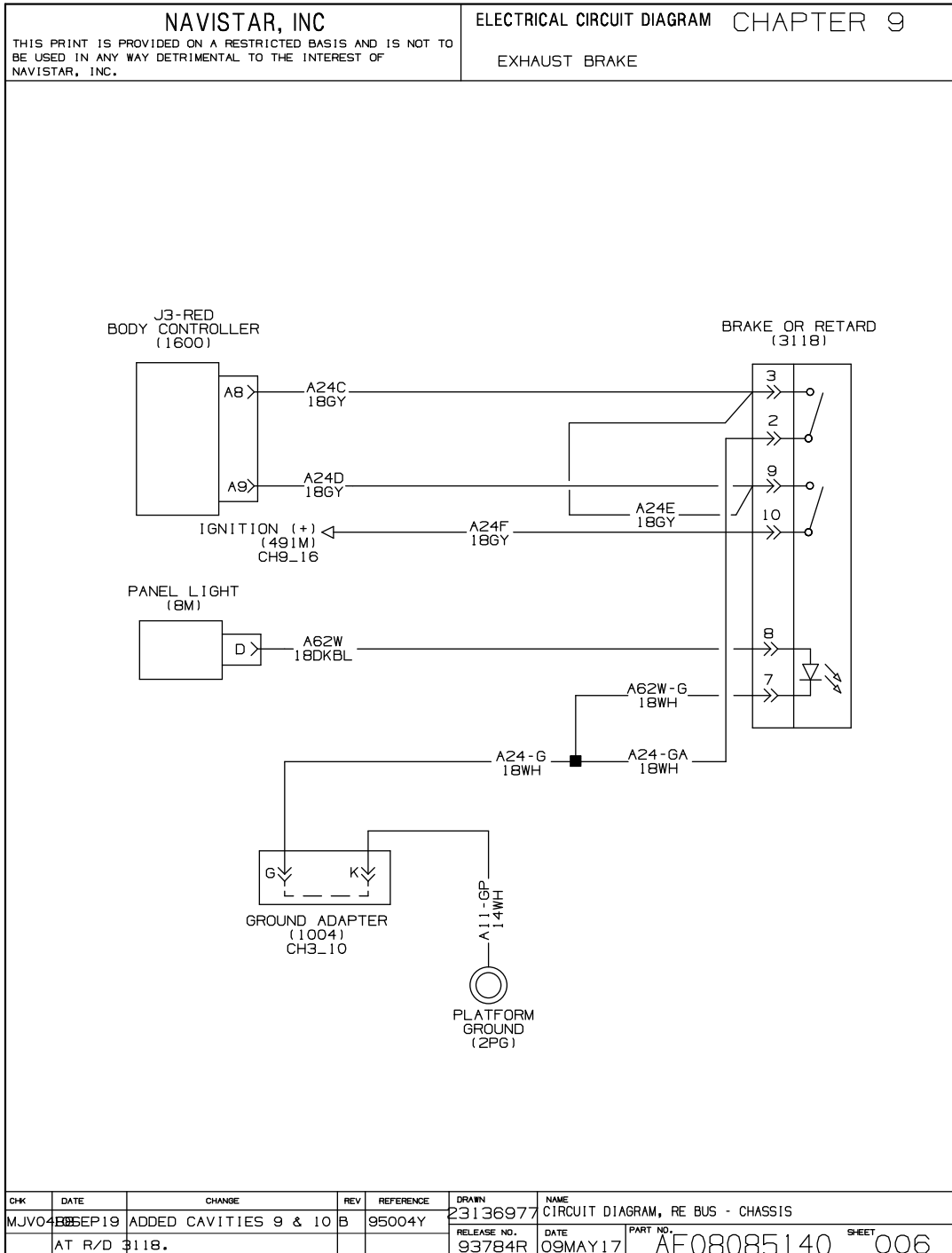


Figure 96 Exhaust Brake

9.7. COMPRESSION BRAKES, P. 7

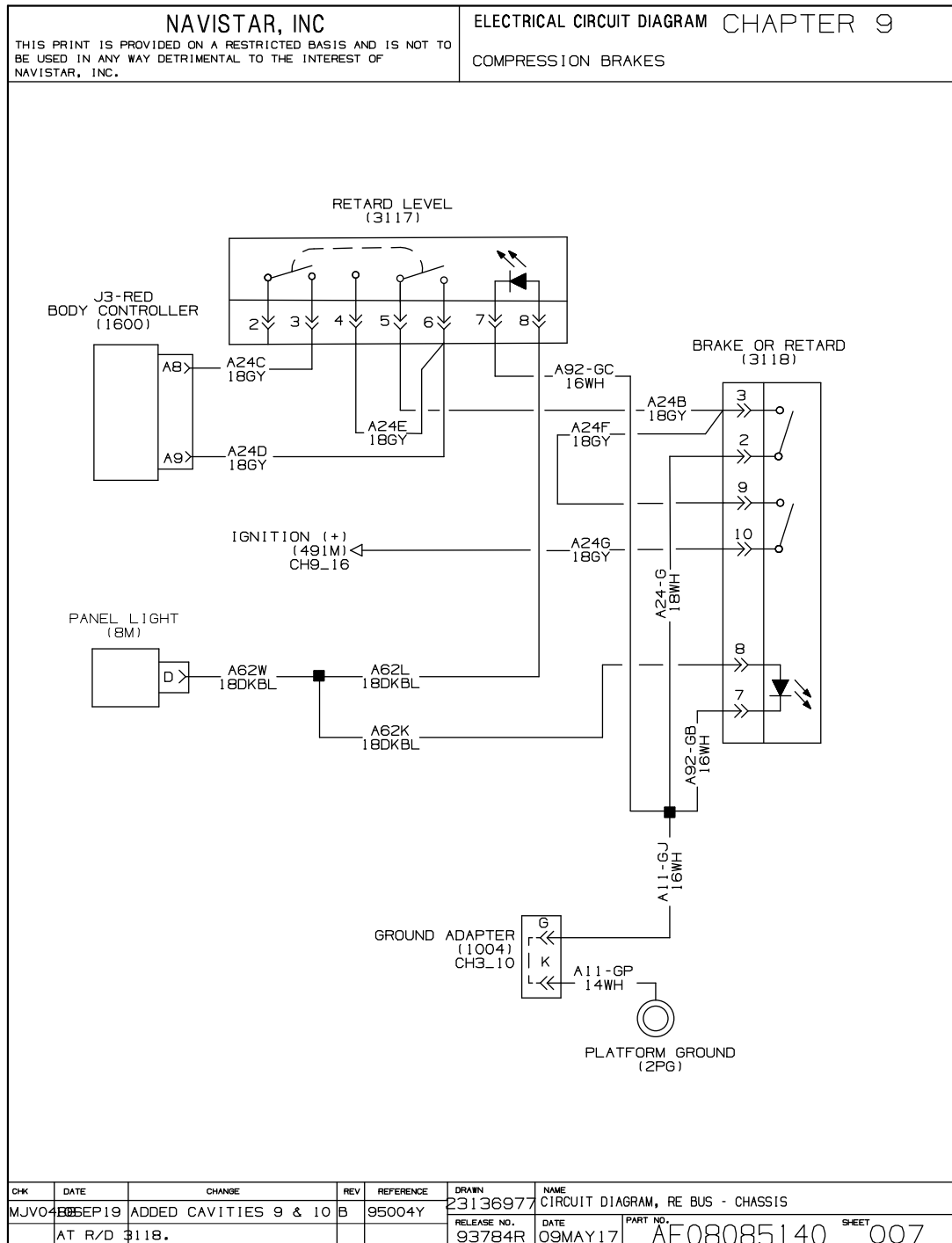


Figure 97 Compression Brakes

9.8. BENDIX AIR BRAKE ABS W/BENDIX EC-80, P. 8

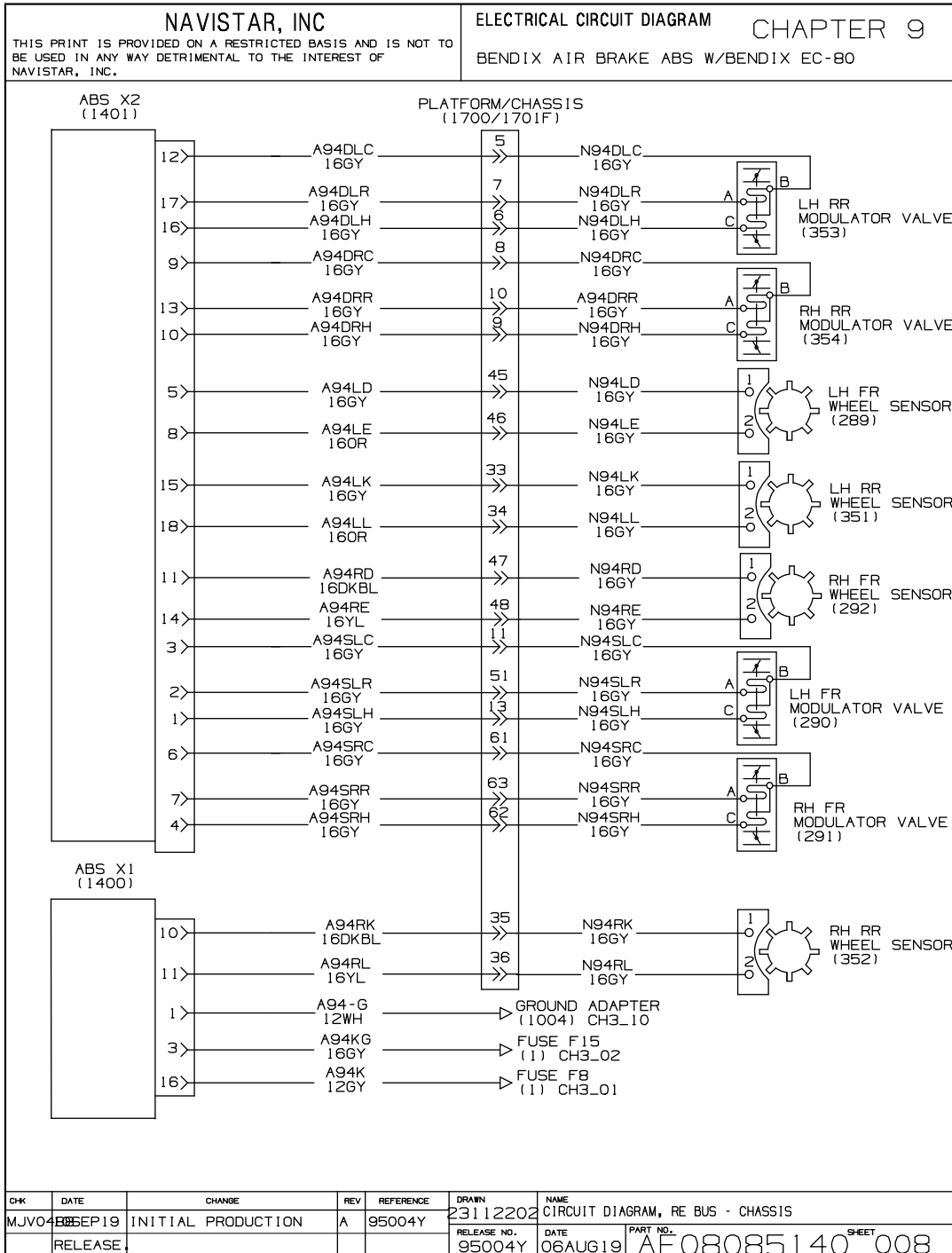


Figure 98 Bendix Air Brake ABS w/Bendix EC-80

9.9. BENDIX AIR BRAKE ABS TRACTION CONTROL W/BENDIX EC-80, P. 9

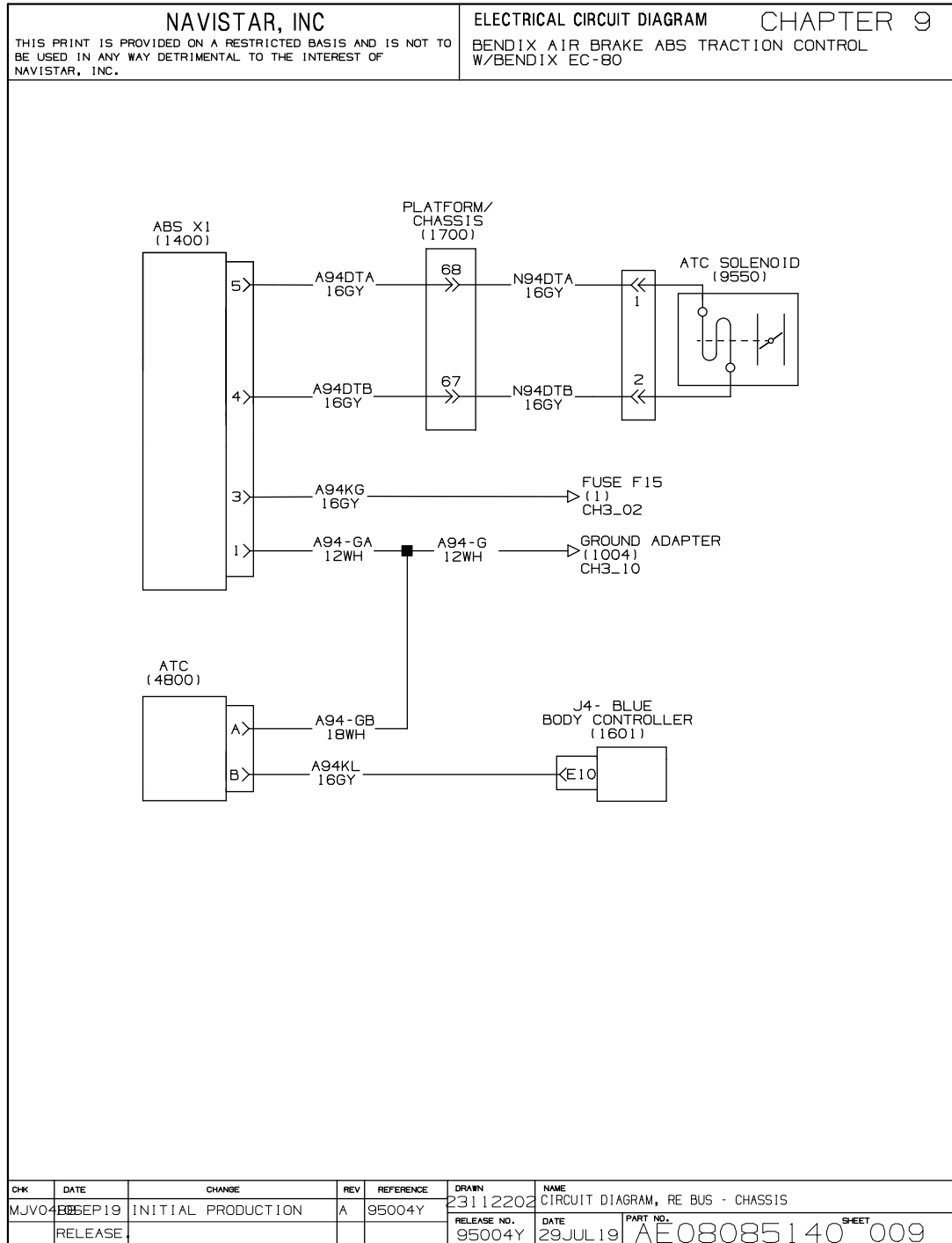


Figure 99 Bendix Air Brake ABS Traction Control w/Bendix EC-80

9.10. BENDIX AIR BRAKE ABS W/ESP 45/4M W/4 CH W/BENDIX EC-80, P. 10

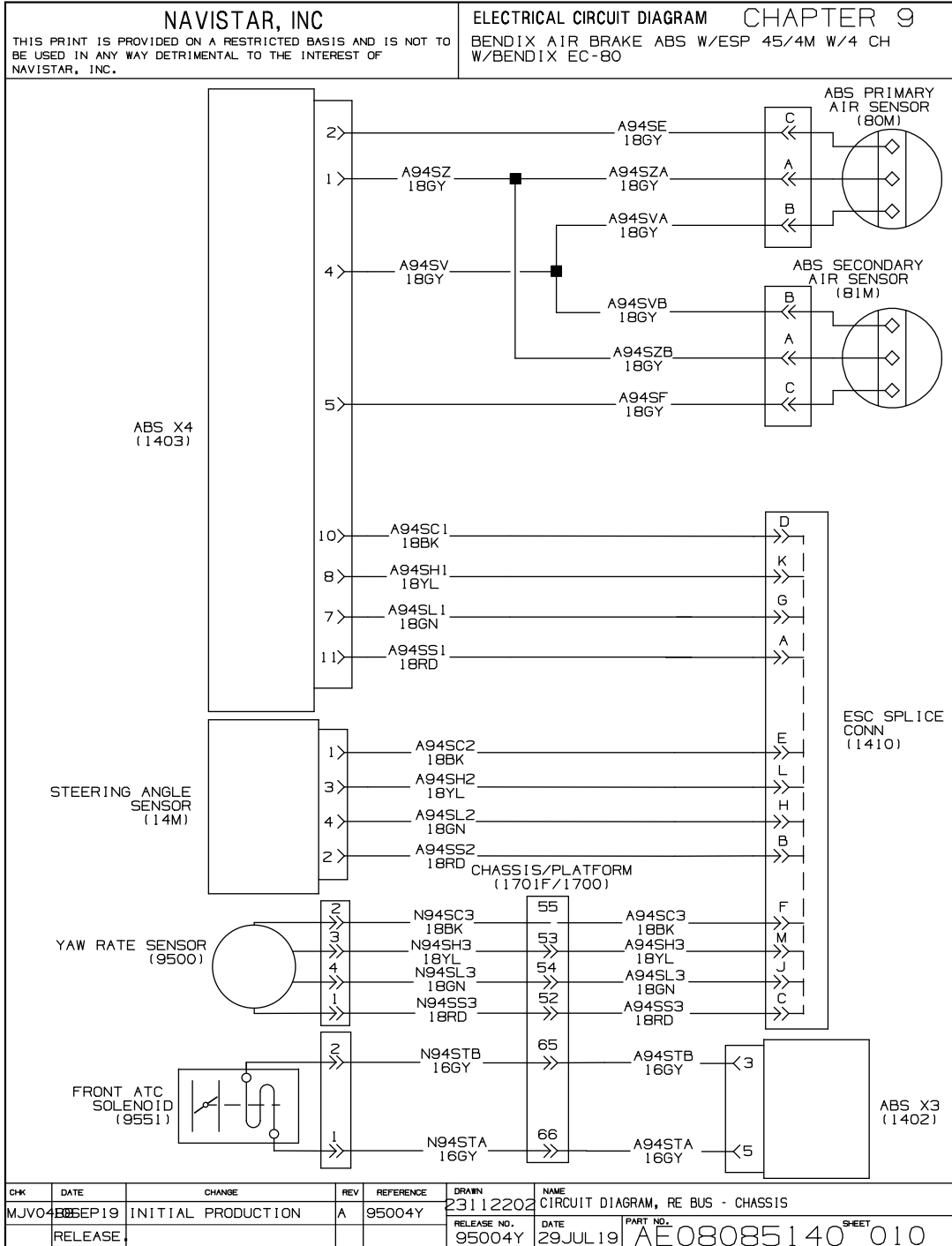


Figure 100 Bendix Air Brake ABS w/ESP 45/4M w/4 CH w/Bendix EC-80

9.11. BENDIX AIR BRAKE ABS W/ESP 45/4M W/4 CH W/BENDIX EC-80 (CONT.), P. 11

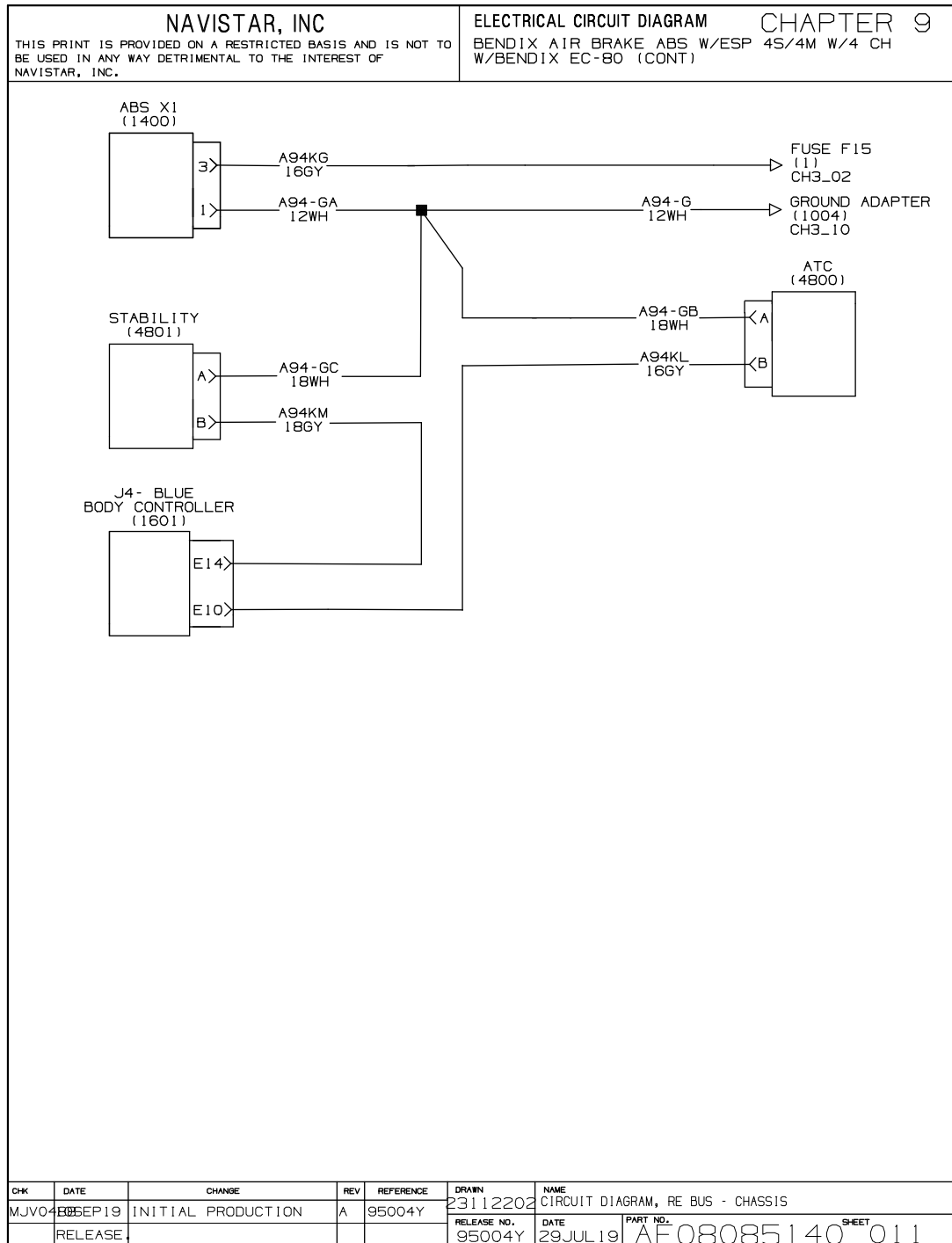


Figure 101 Bendix Air Brake ABS w/ESP 45/4M w/4 CH w/Bendix EC-80 (Cont.)

9.12. BENDIX WINGMAN W/BENDIX EC-80, P. 12

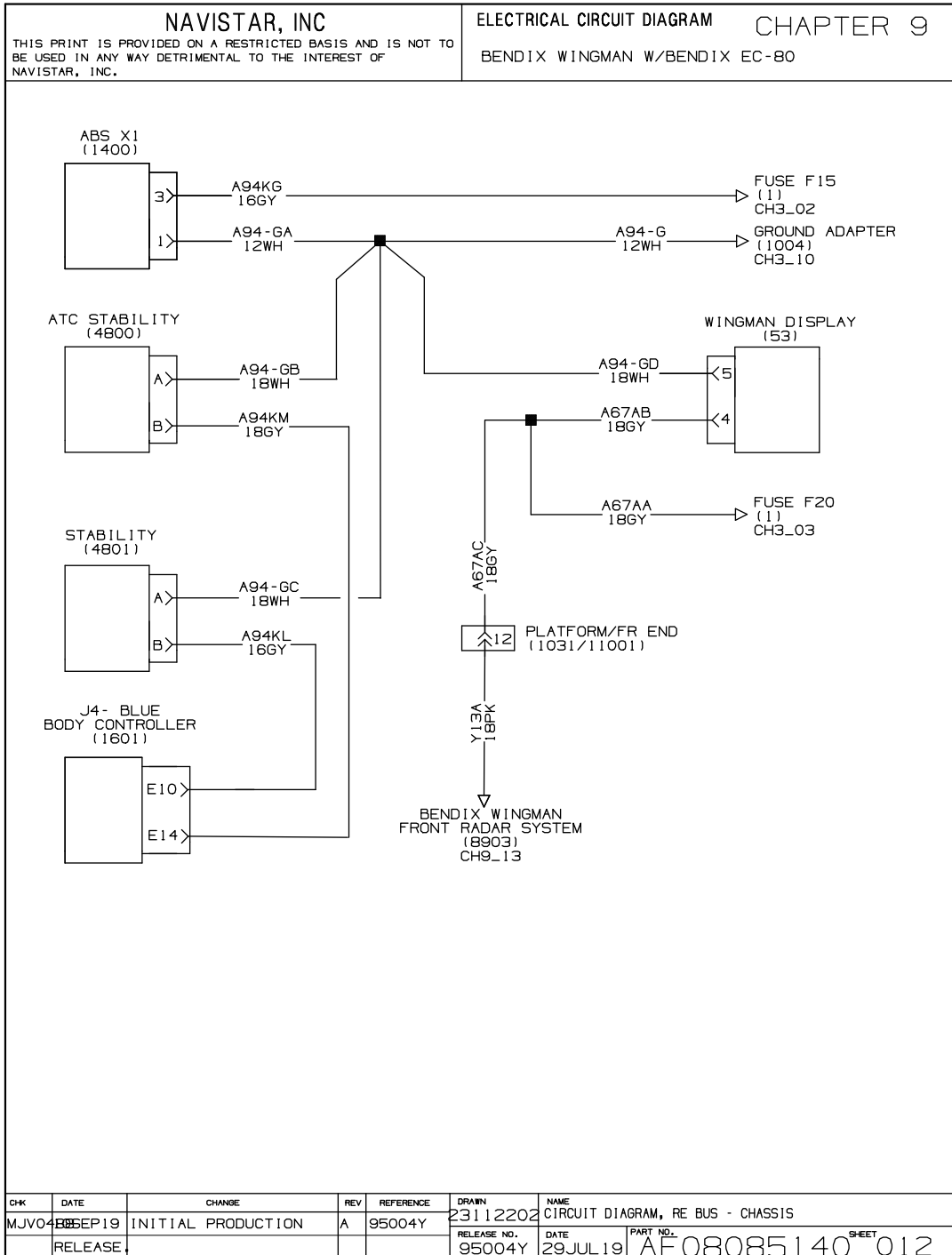


Figure 102 Bendix Wingman w/Bendix EC-80

9.13. BENDIX WINGMAN W/BENDIX EC-80 (CONT.), P. 13

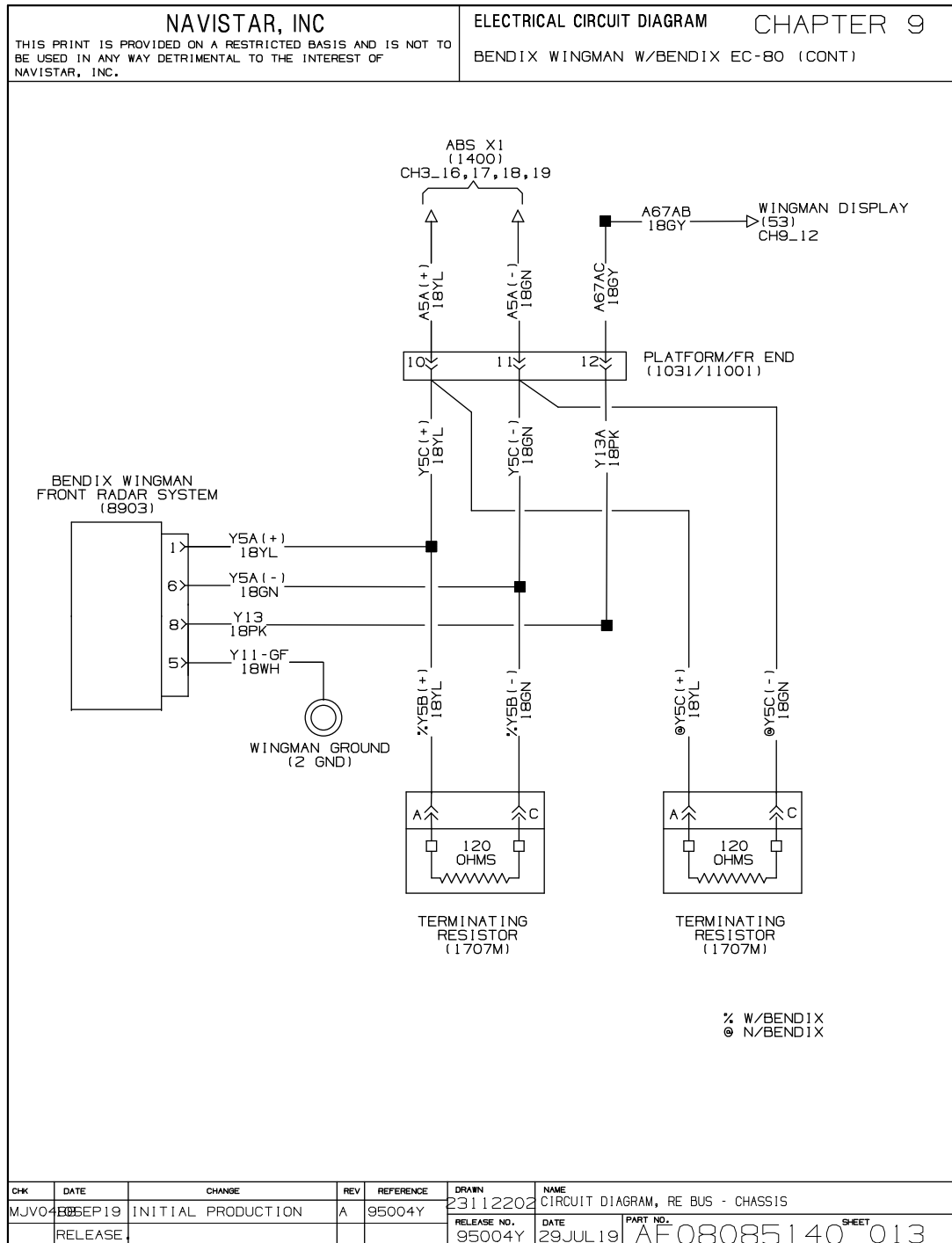


Figure 103 Bendix Wingman w/Bendix EC-80 (Cont.)

9.14. BENDIX FUSION OPTIONS, P. 14

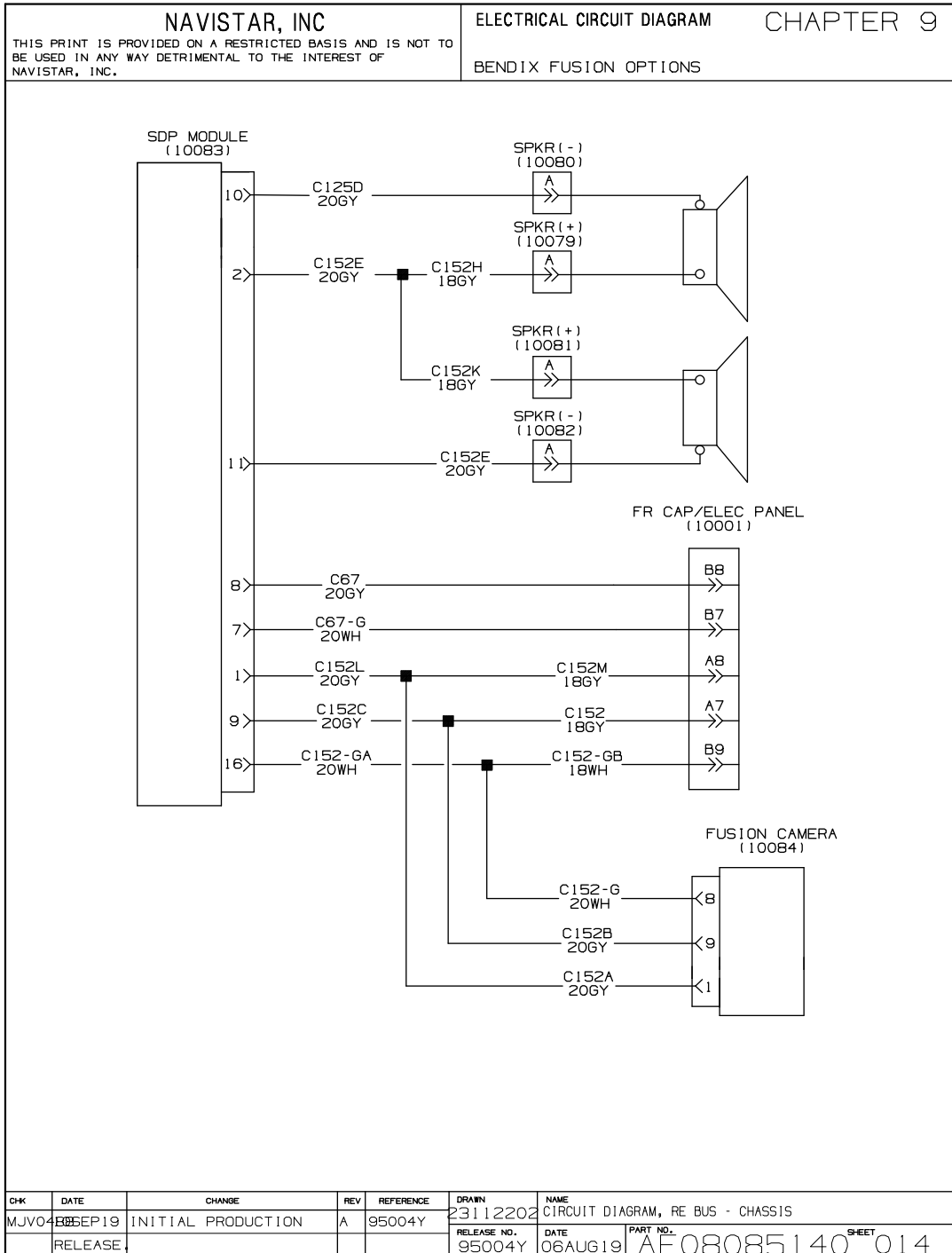


Figure 104 Bendix Fusion Options

9.15. BENDIX FUSION OPTIONS (CONT.), P. 15

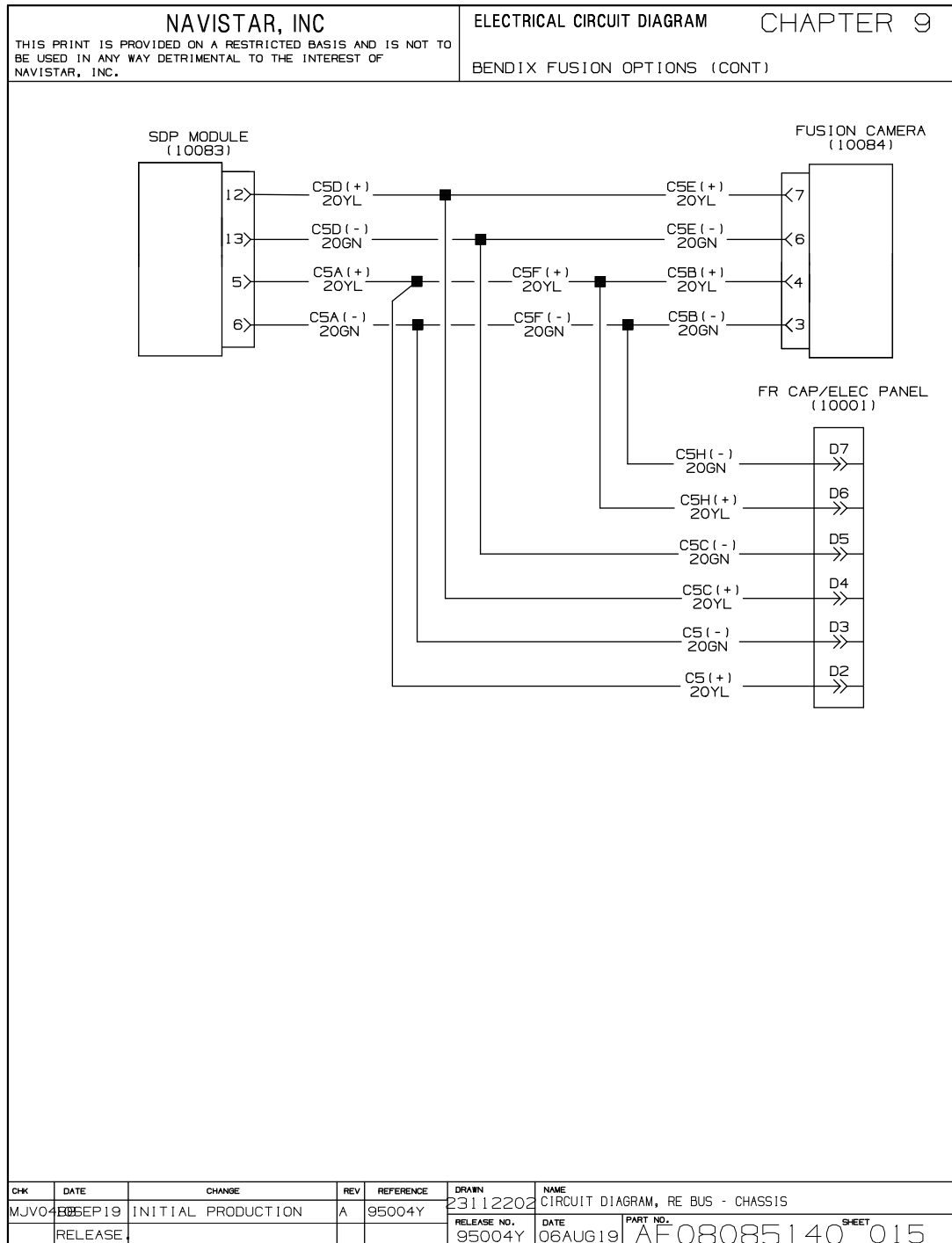


Figure 105 Bendix Fusion Options (Cont.)

9.16. IGNITION SPLICE CONNECTIONS, P. 16

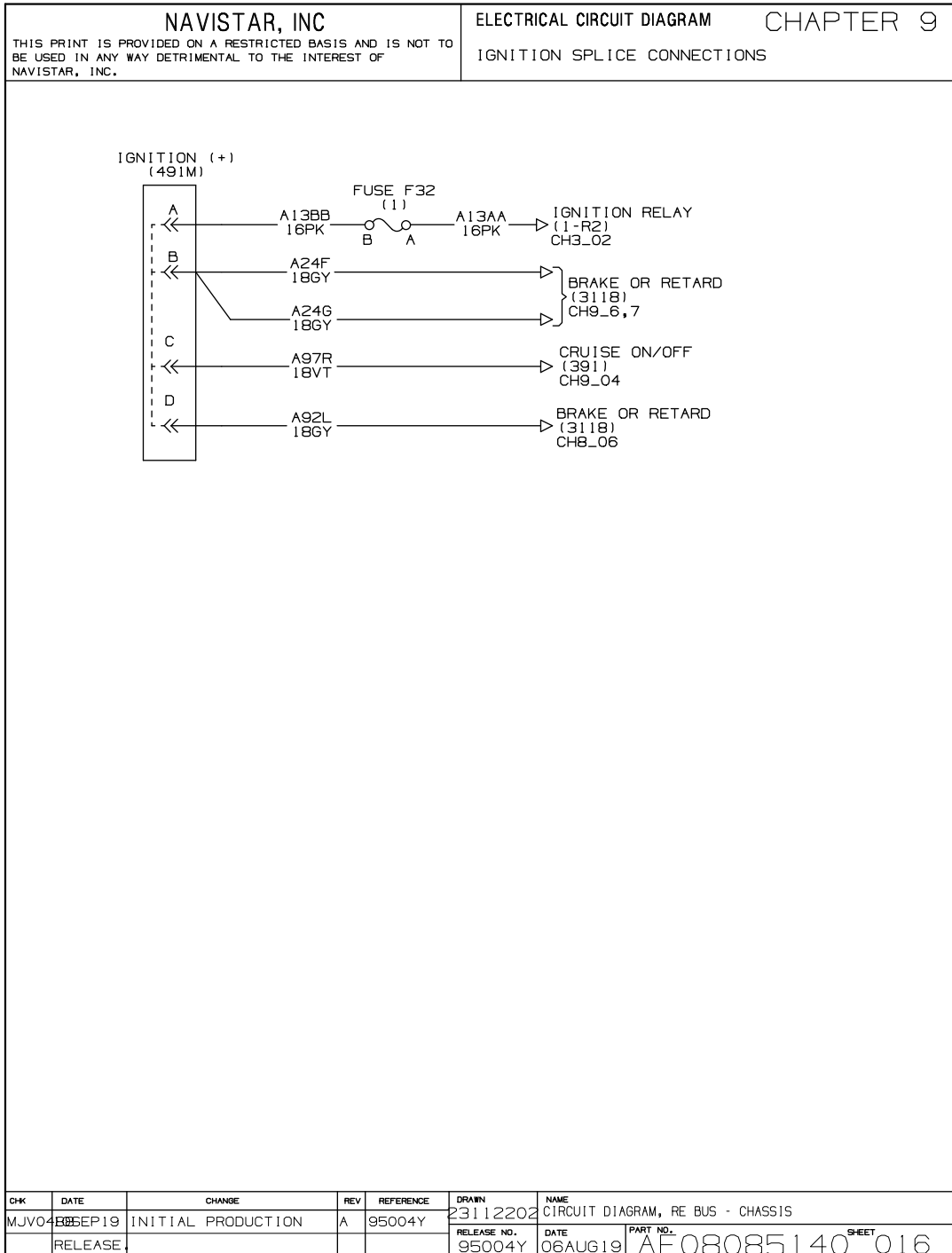


Figure 106 Ignition Splice Connections

HEATER / AIR CONDITIONING (CHAPTER 10)

10.1. ESPAR COOLANT HEATER W / WHITE TIMER, P. 1

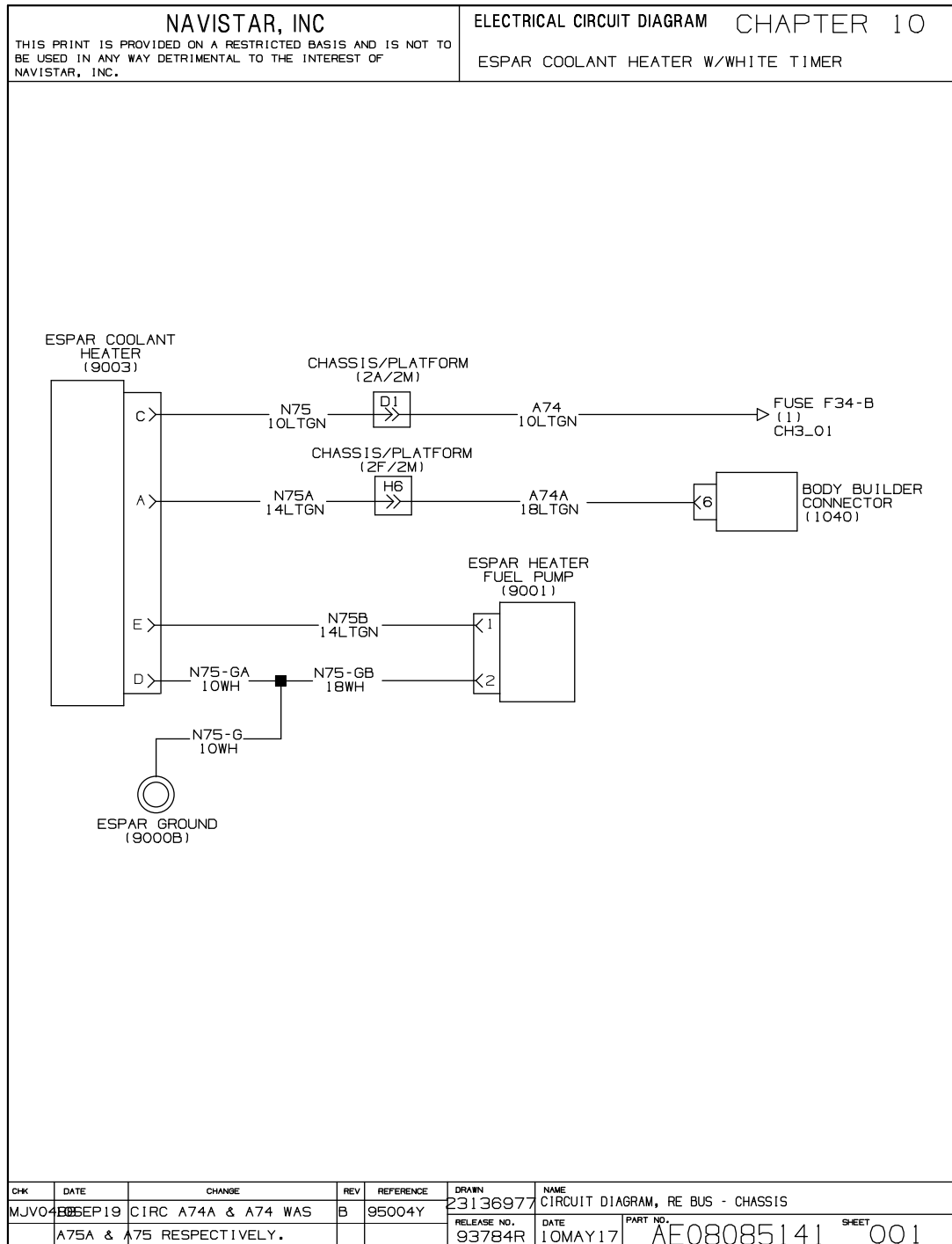


Figure 107 Espar Coolant Heater w / White Timer

10.2. ESPAR COOLANT HEATER W / 7 DAY TIMER W / DIAGNOSTIC, P. 2

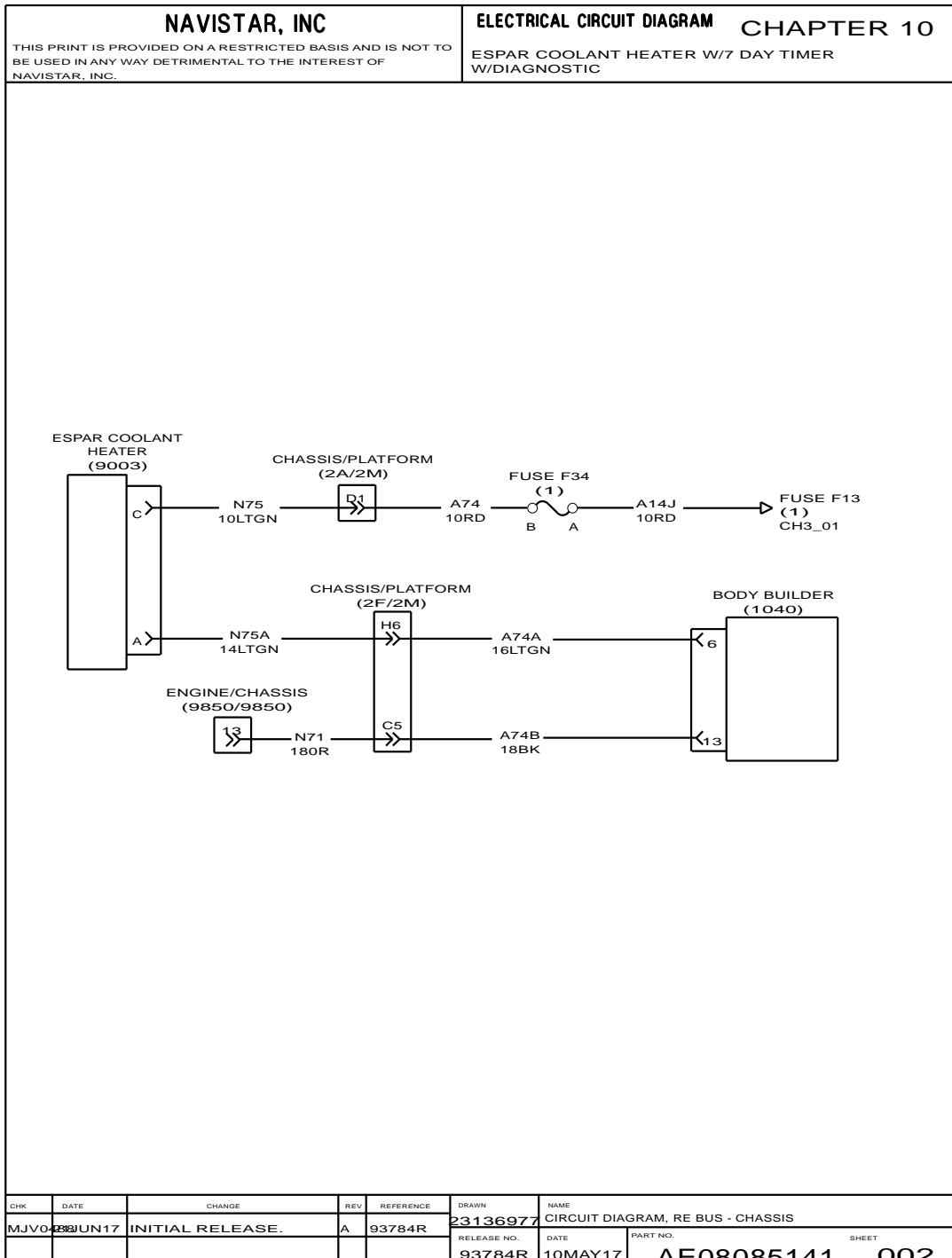


Figure 108 Espar Coolant Heater w / 7 Day Timer w / Diagnostic

10.3. 7 DAY TIMER W/ ESPAR HEATER W / BENDIX EC-80, P. 3

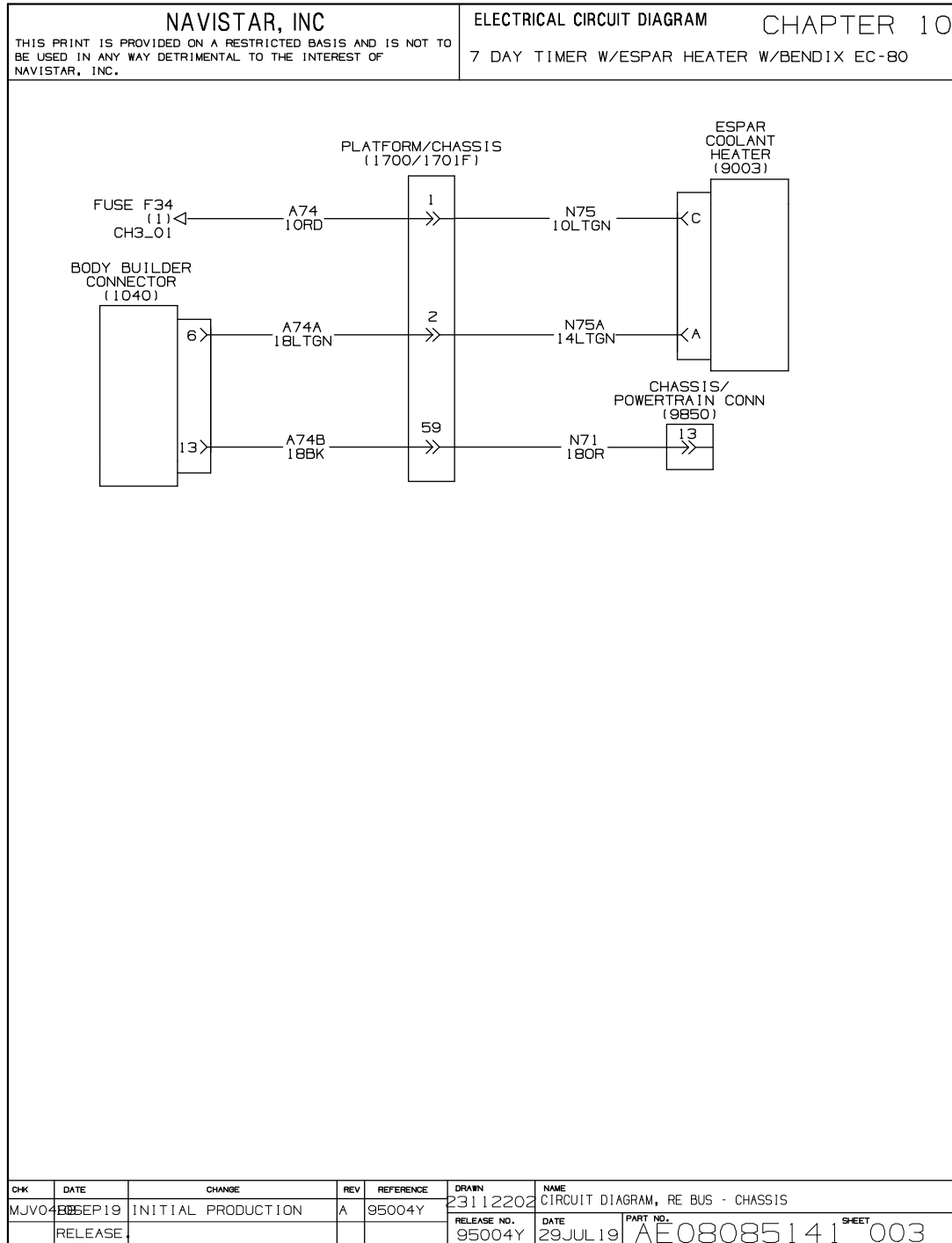


Figure 109 7 Day Timer w/ Espar Heater w / Bendix EC-80

10.4. ESPAR COOLANT HEATER W / WHITE TIMER W/ BENDIX EC-80, P. 4

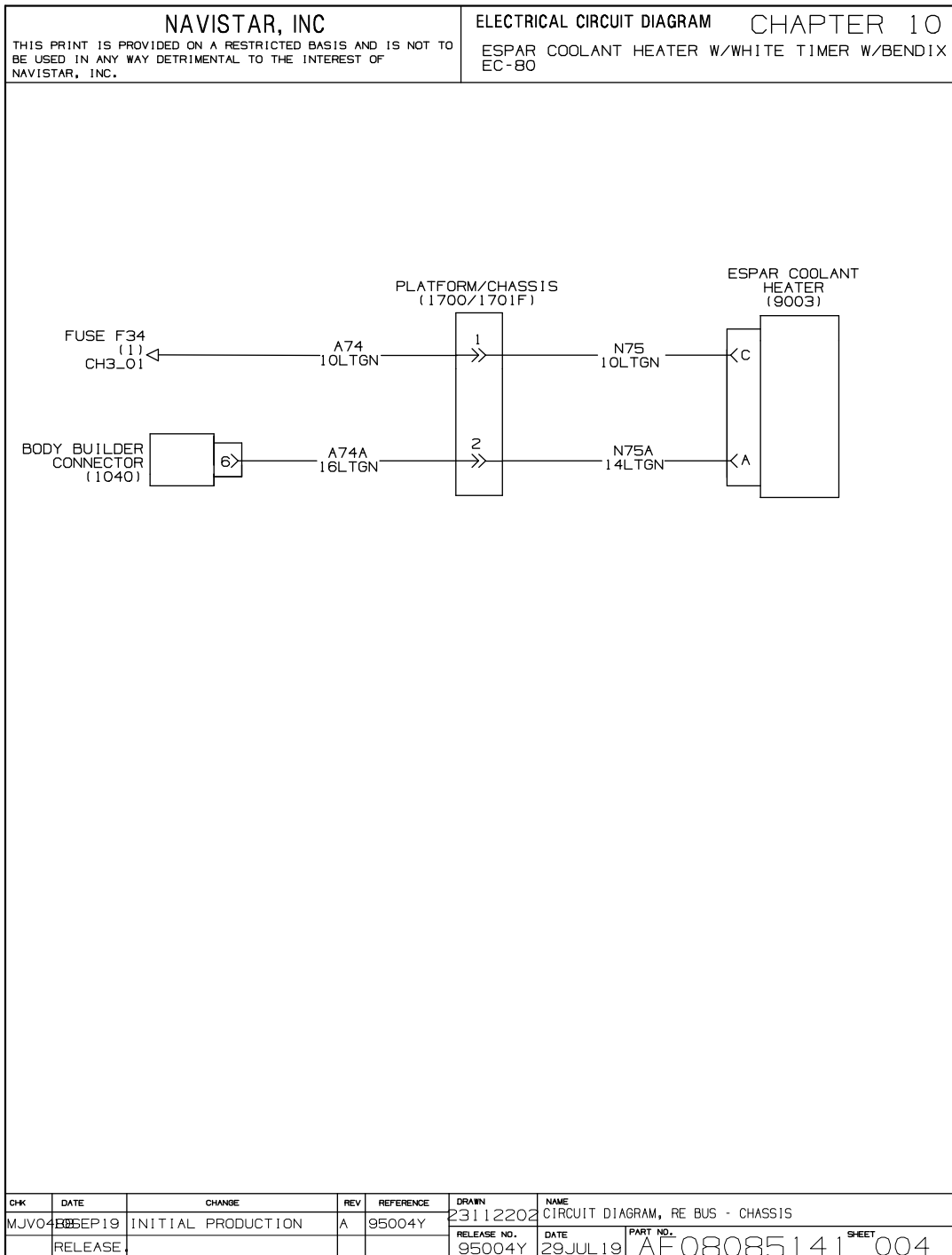


Figure 110 Espar Coolant Heater w / White Timer w/ Bendix EC-80

INTENTIONALLY LEFT BLANK (CHAPTER 11)

11.1. INTENTIONALLY LEFT BLANK, P. 1

NAVISTAR, INC				ELECTRICAL CIRCUIT DIAGRAM CHAPTER 11			
THIS PRINT IS PROVIDED ON A RESTRICTED BASIS AND IS NOT TO BE USED IN ANY WAY DETRIMENTAL TO THE INTEREST OF NAVISTAR, INC.				INTENTIONALLY LEFT BLANK			
INTENTIONALLY LEFT BLANK							
CHK	DATE	CHANGE	REV	REFERENCE	DRAWN	NAME	
MJVO	23 JUN 17	INITIAL RELEASE.	A	93784R	23136977	CIRCUIT DIAGRAM, RE BUS - CHASSIS	
					RELEASE NO.	DATE	PART NO. SHEET
					93784R	10MAY17	AE08085142 001

Figure 111 Intentionally Left Blank

CONNECTOR COMPOSITES (CHAPTER 12)

12.1. CONNECTOR BODY COMPOSITES (1), P. 1

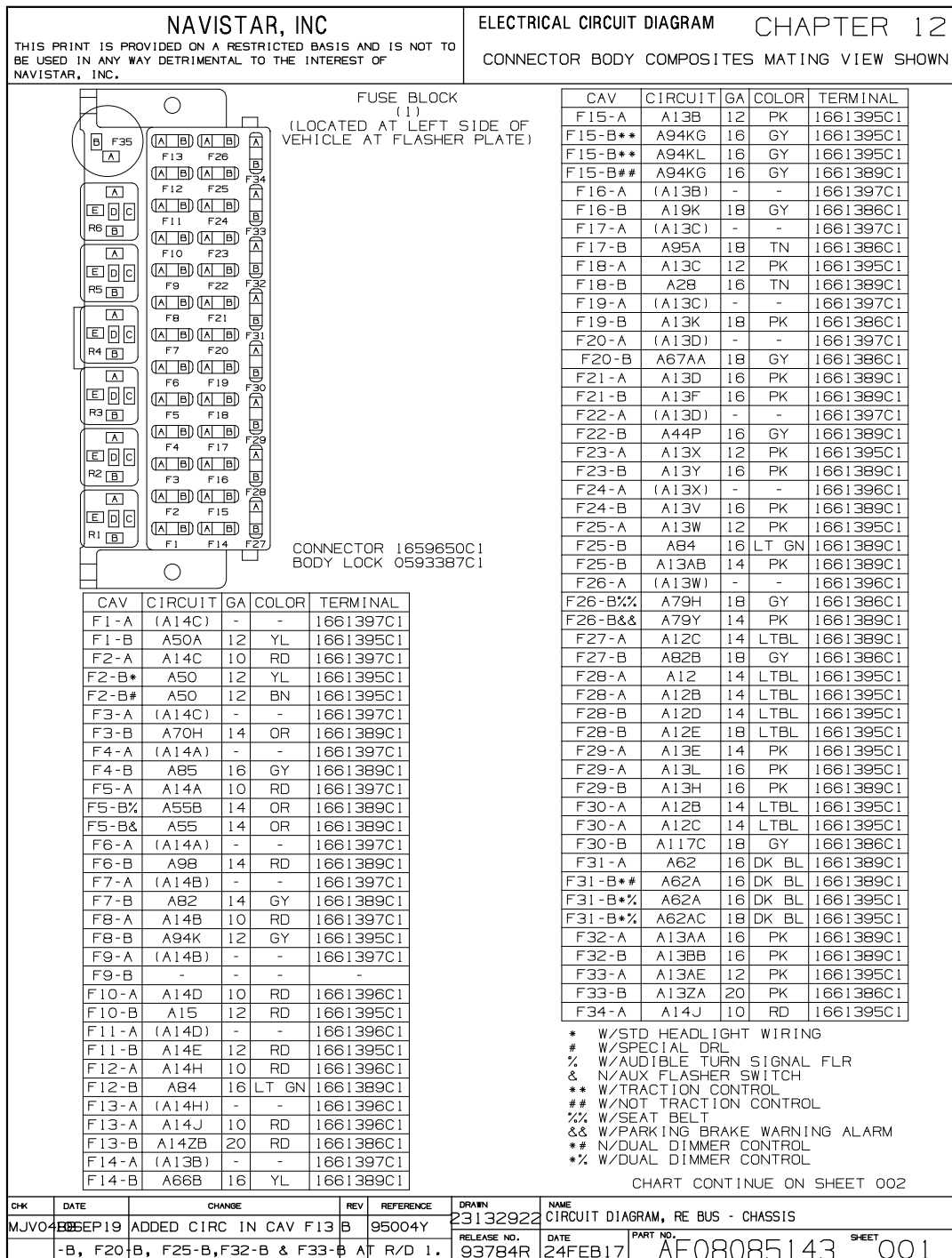


Figure 112 Connector Body Composites (1)

12.2. CONNECTOR BODY COMPOSITES (1), P. 2

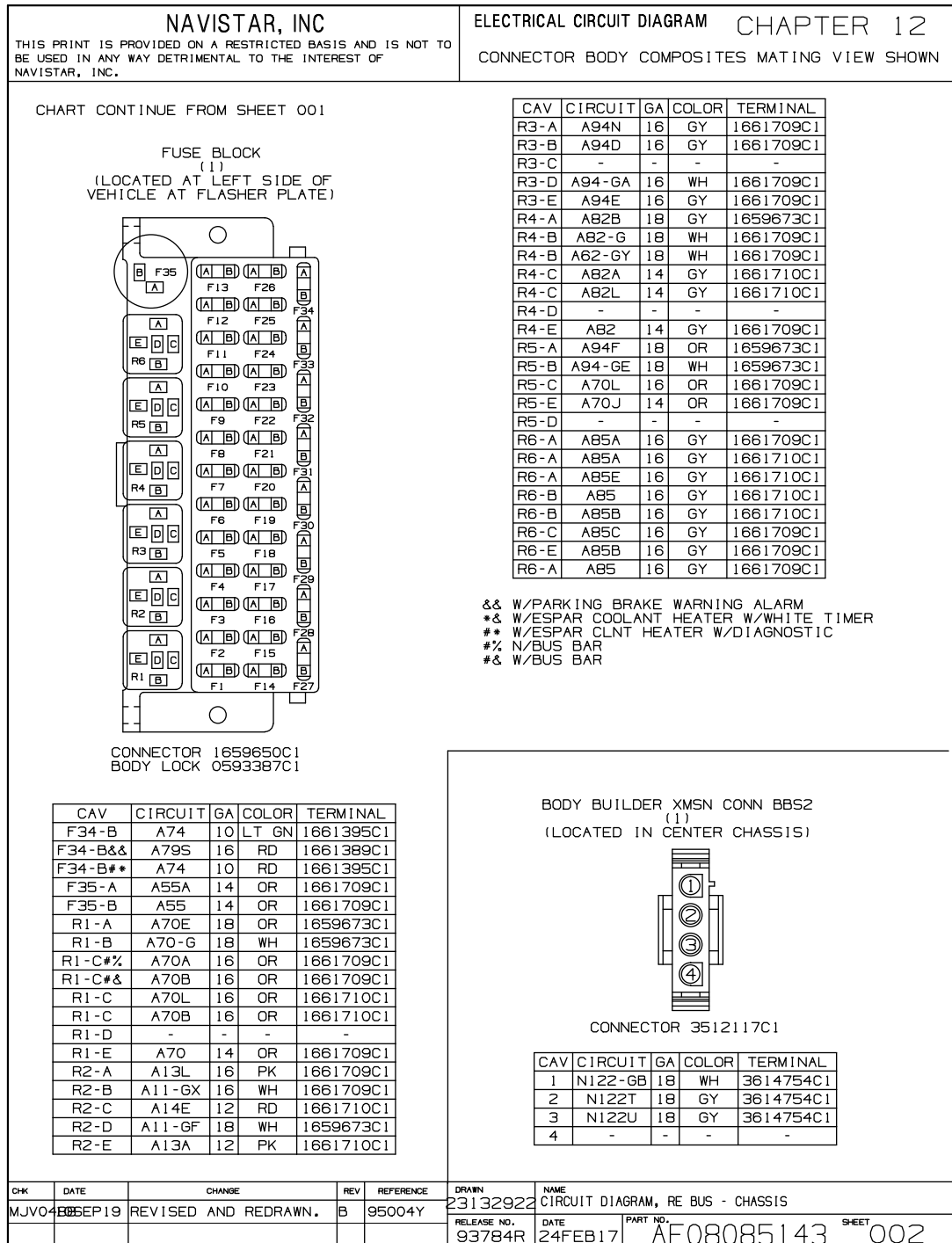


Figure 113 Connector Body Composites (1)

12.3. CONNECTOR BODY COMPOSITES (1C, 1F), P. 2A

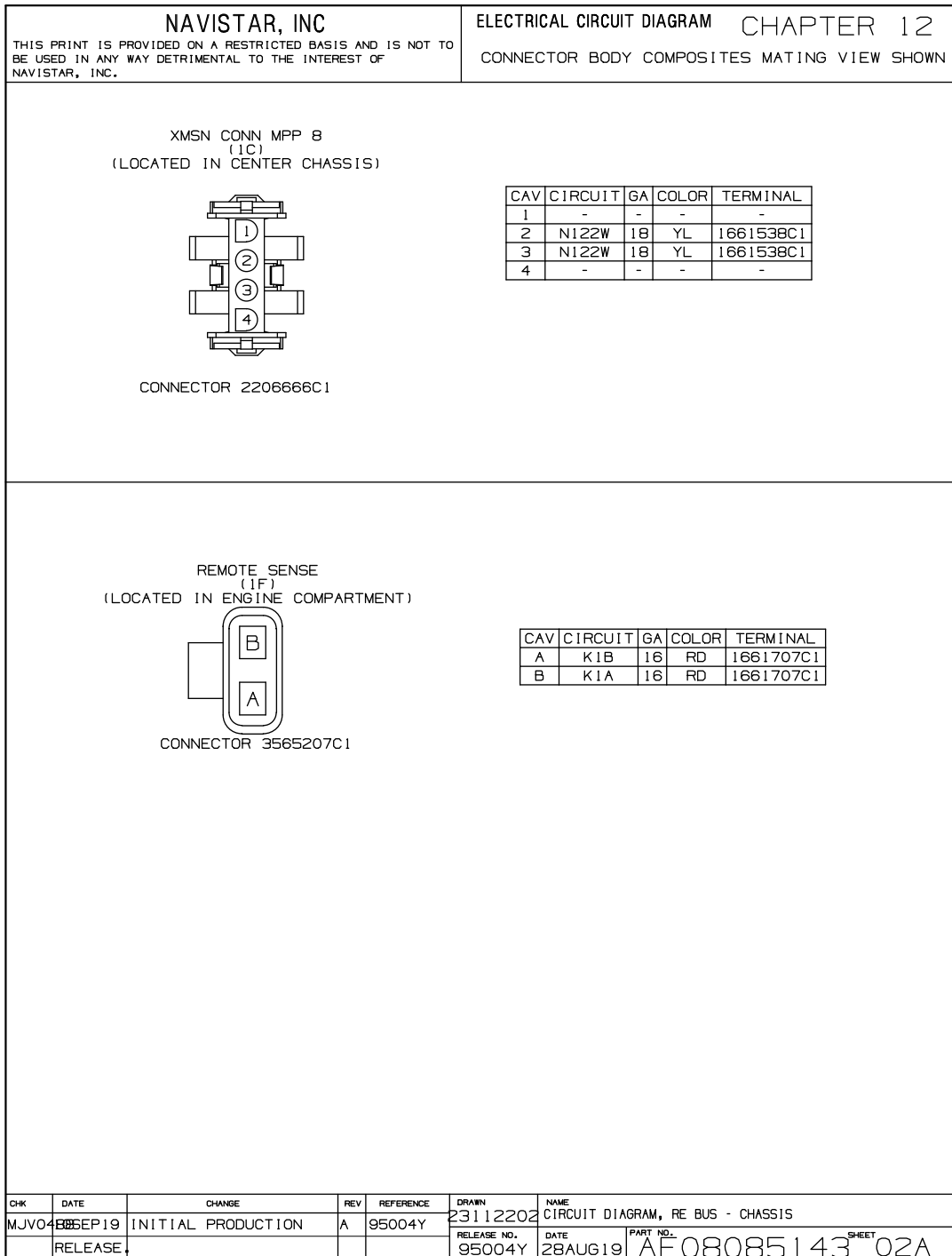


Figure 114 Connector Body Composites (1C, 1F)

12.4. CONNECTOR BODY COMPOSITES (RD1, 2A, 2F), P. 3

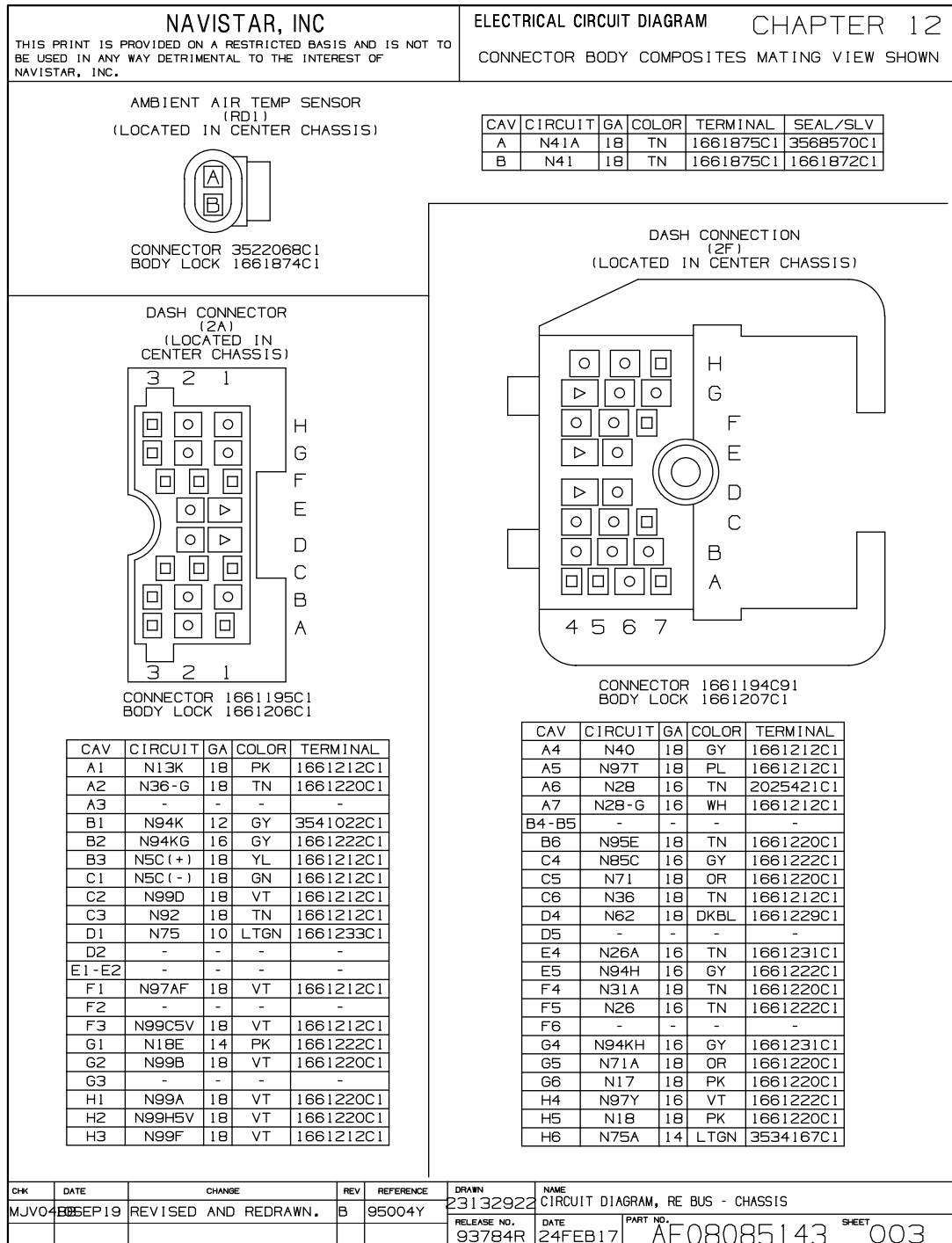


Figure 115 Connector Body Composites (RD1, 2A, 2F)

12.5. CONNECTOR BODY COMPOSITES (2M, RD2), P. 4

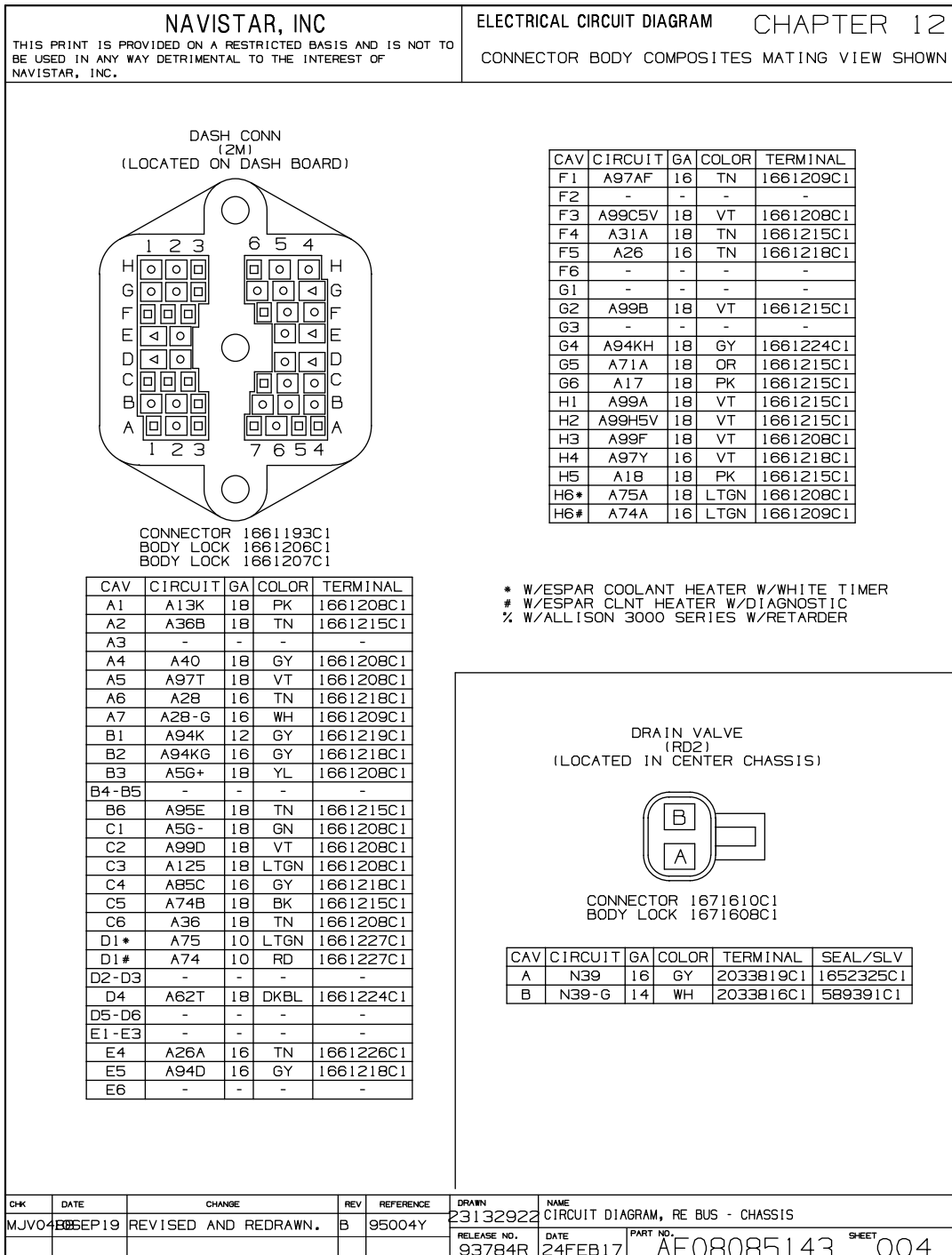


Figure 116 Connector Body Composites (2M, RD2)

12.6. CONNECTOR BODY COMPOSITES (RD3, RD4, RD5, RD7, 4M), P. 5

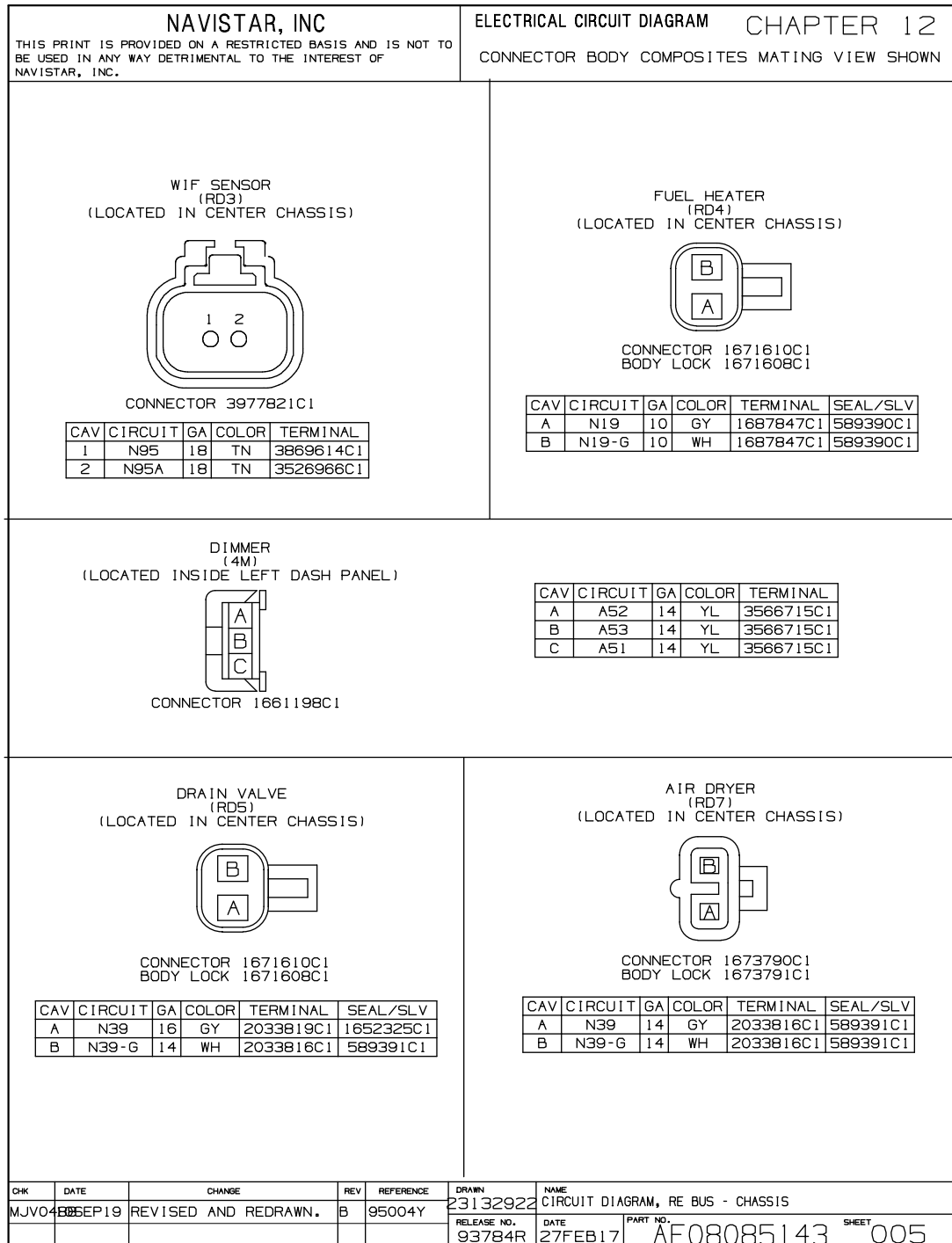


Figure 117 Connector Body Composites (RD3, RD4, RD5, RD7, 4M)

12.7. CONNECTOR BODY COMPOSITES (8M, 9, 10, 11M), P. 6

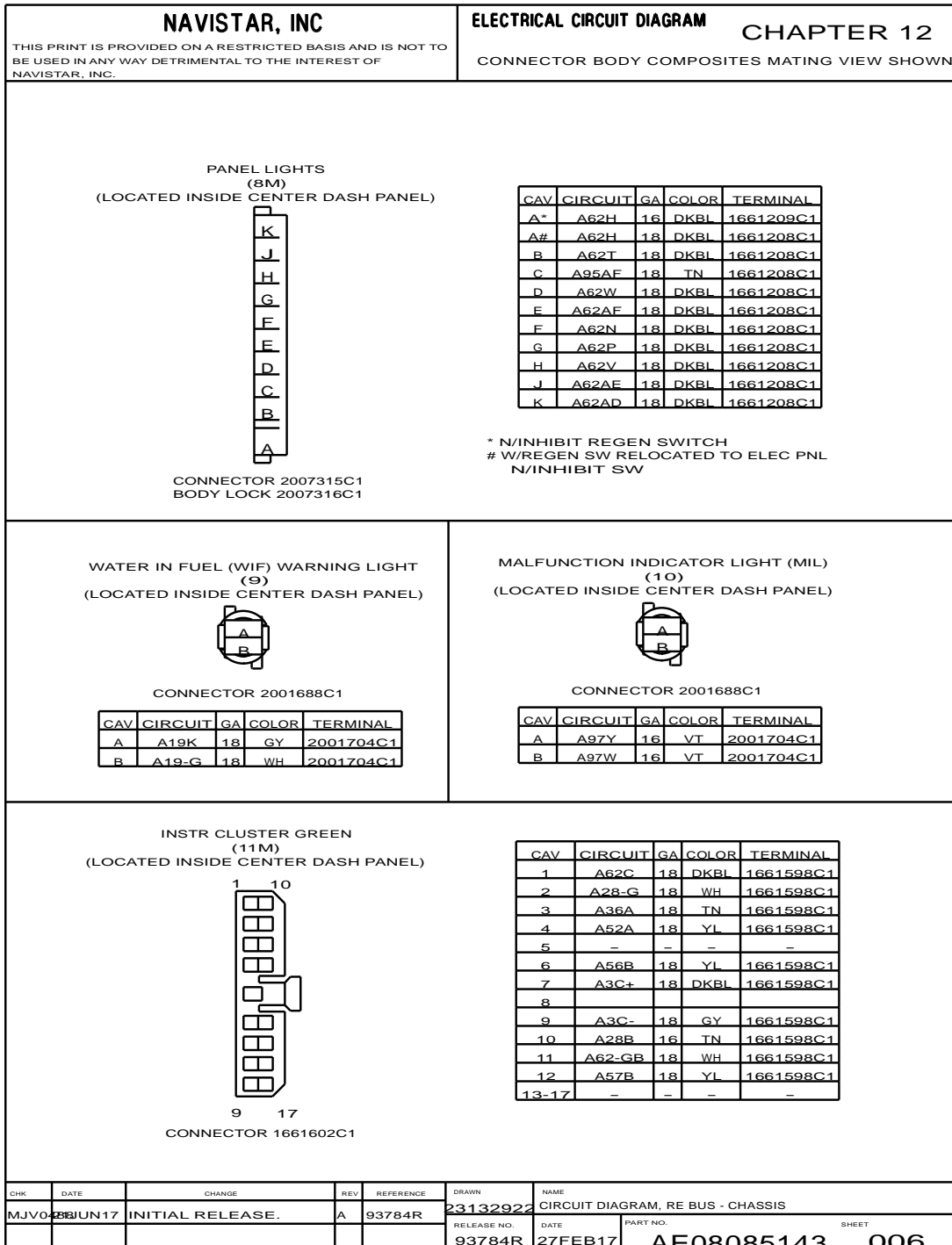


Figure 118 Connector Body Composites (8M, 9, 10, 11M)

12.8. CONNECTOR BODY COMPOSITES (12M, 13M, 22M), P. 7

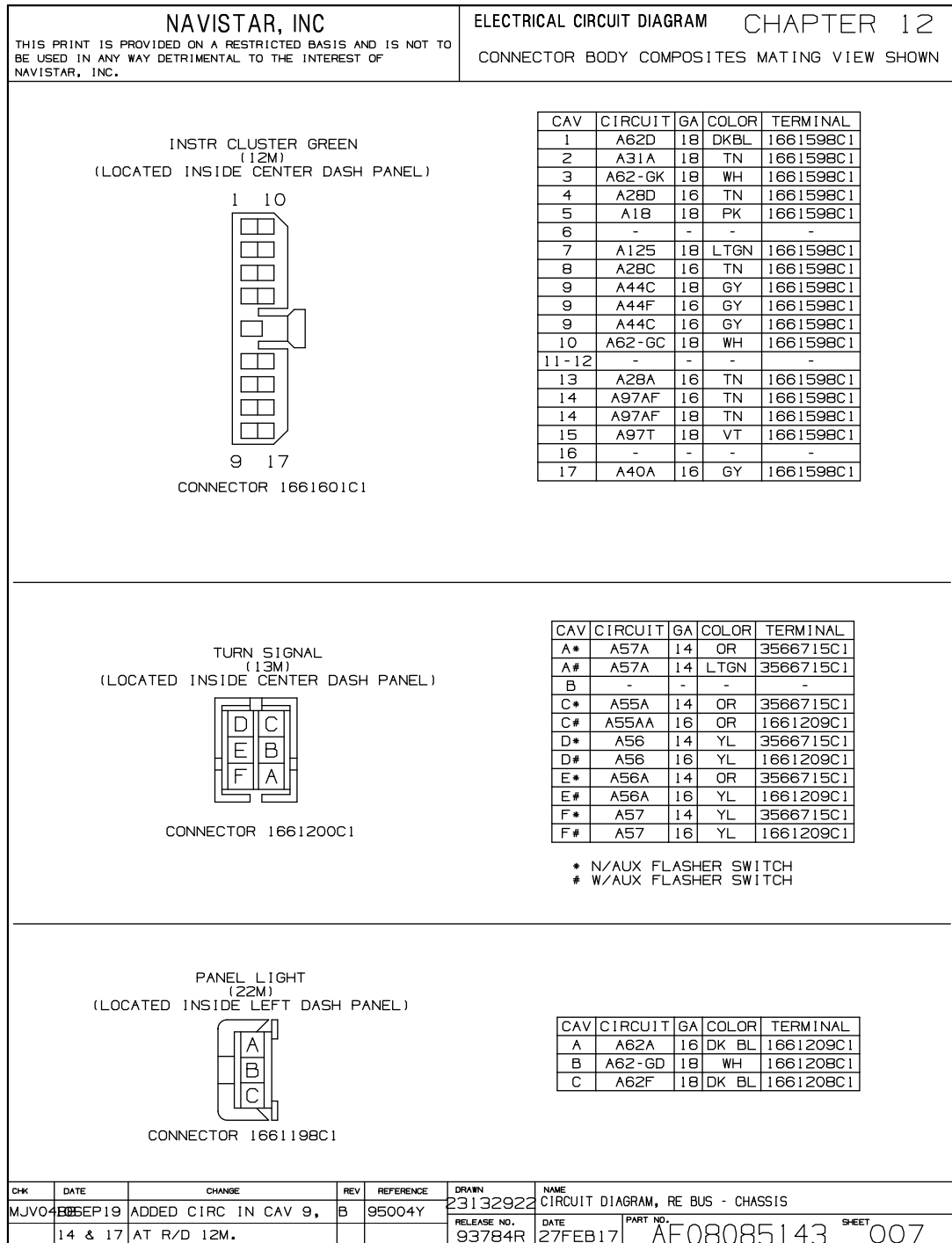


Figure 119 Connector Body Composites (12M, 13M, 22M)

12.9. CONNECTOR BODY COMPOSITES (23M, 35X3, 37F), P. 8

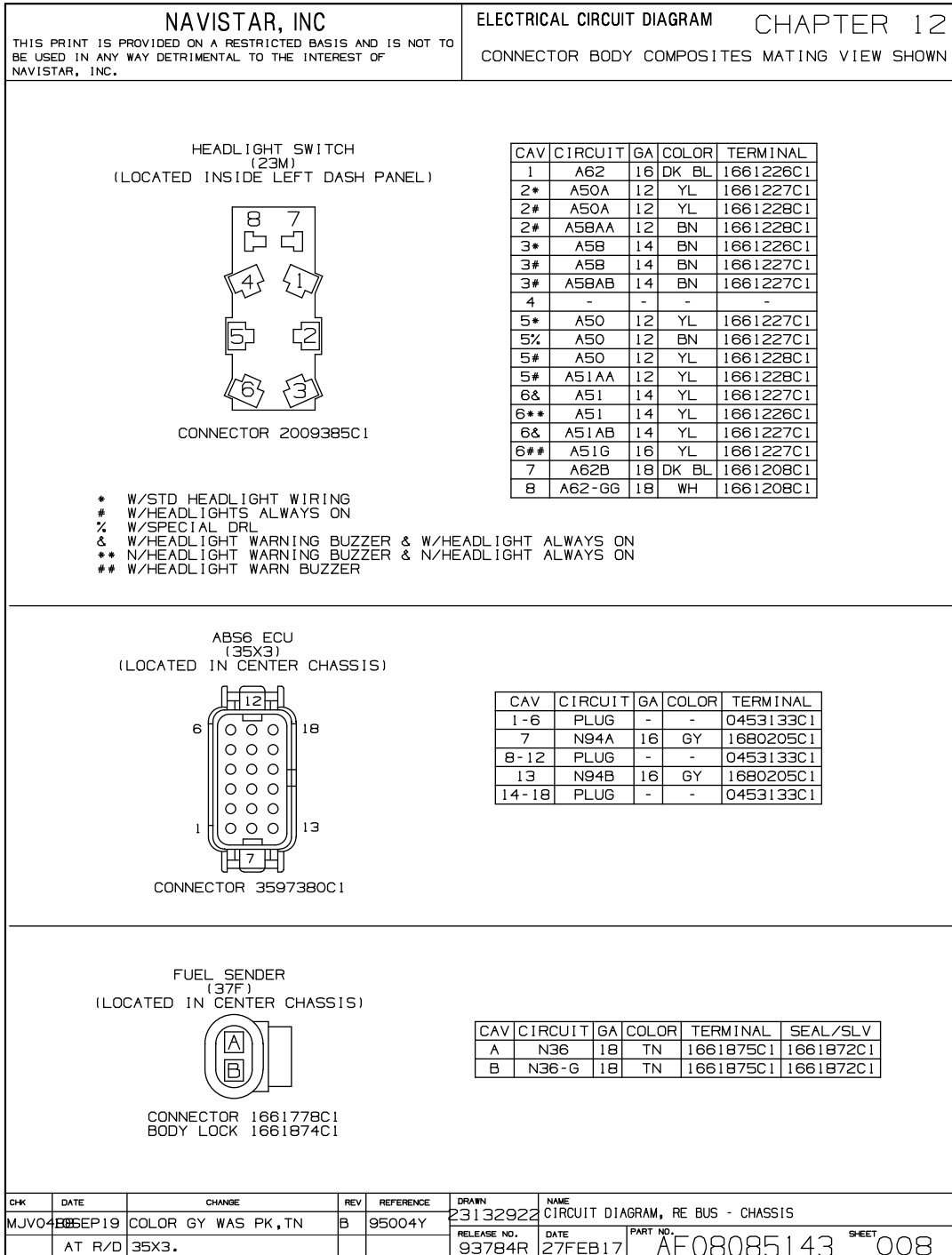


Figure 120 Connector Body Composites (23M, 35X3, 37F)

12.10. CONNECTOR BODY COMPOSITES (50, 51, 52, 52A), P. 9

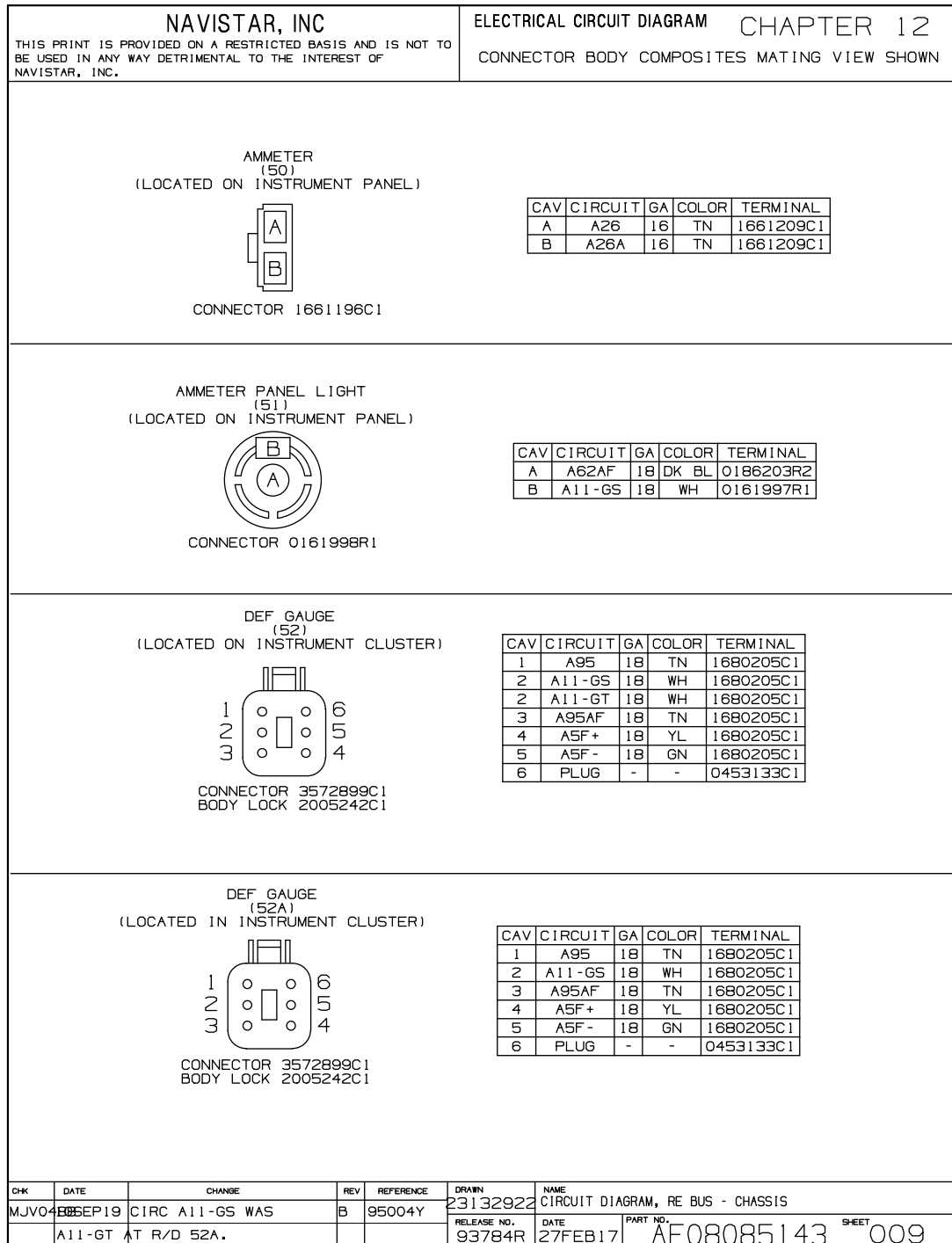


Figure 121 Connector Body Composites (50, 51, 52, 52A)

12.11. CONNECTOR BODY COMPOSITES (78M, 79M, 162, 168), P. 10

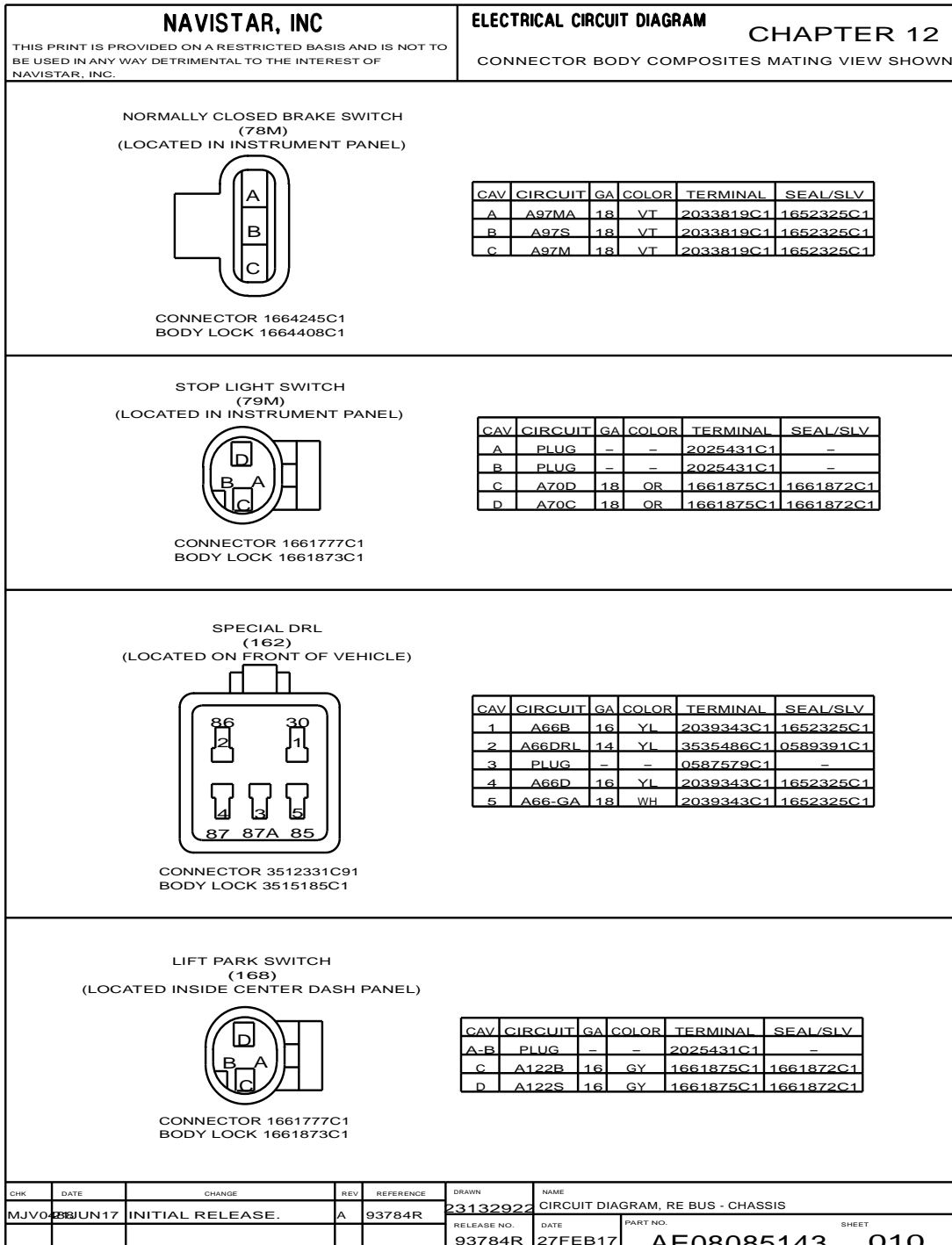


Figure 122 Connector Body Composites (78M, 79M, 162, 168)

12.12. CONNECTOR BODY COMPOSITES (168A, 211M, 211N, 212M), P. 11

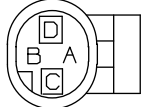
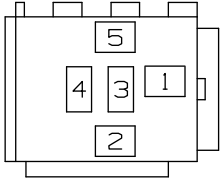
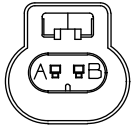
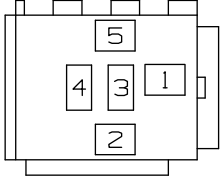
<p>NAVISTAR, INC</p> <p>THIS PRINT IS PROVIDED ON A RESTRICTED BASIS AND IS NOT TO BE USED IN ANY WAY DETRIMENTAL TO THE INTEREST OF NAVISTAR, INC.</p>				<p>ELECTRICAL CIRCUIT DIAGRAM CHAPTER 12</p> <p>CONNECTOR BODY COMPOSITES MATING VIEW SHOWN</p>																																																
<p>WARNING PARK SWITCH (168A) (LOCATED INSIDE CENTER DASH PANEL)</p>  <p>CONNECTOR 1661777C1 BODY LOCK 1661873C1</p>				<table border="1" style="width: 100%; border-collapse: collapse;"> <thead> <tr> <th>CAV</th> <th>CIRCUIT</th> <th>GA</th> <th>COLOR</th> <th>TERMINAL</th> <th>SEAL/SLV</th> </tr> </thead> <tbody> <tr> <td>A-B</td> <td>PLUG</td> <td>-</td> <td>-</td> <td>2025431C1</td> <td>-</td> </tr> <tr> <td>C*</td> <td>A44-GA</td> <td>16</td> <td>WH</td> <td>1661875C1</td> <td>1661872C1</td> </tr> <tr> <td>C#</td> <td>A44C-G</td> <td>16</td> <td>WH</td> <td>1661875C1</td> <td>1661872C1</td> </tr> <tr> <td>D%</td> <td>A44C</td> <td>16</td> <td>GY</td> <td>1661875C1</td> <td>1661872C1</td> </tr> <tr> <td>D*</td> <td>A44E</td> <td>16</td> <td>GY</td> <td>1661875C1</td> <td>1661872C1</td> </tr> <tr> <td>D#</td> <td>A44D</td> <td>16</td> <td>GY</td> <td>1661875C1</td> <td>1661872C1</td> </tr> </tbody> </table> <p>* W/SEAT BELT # W/PARKING BRAKE WARNING ALARM % W/PARK BRAKE INDICATOR</p>				CAV	CIRCUIT	GA	COLOR	TERMINAL	SEAL/SLV	A-B	PLUG	-	-	2025431C1	-	C*	A44-GA	16	WH	1661875C1	1661872C1	C#	A44C-G	16	WH	1661875C1	1661872C1	D%	A44C	16	GY	1661875C1	1661872C1	D*	A44E	16	GY	1661875C1	1661872C1	D#	A44D	16	GY	1661875C1	1661872C1			
CAV	CIRCUIT	GA	COLOR	TERMINAL	SEAL/SLV																																															
A-B	PLUG	-	-	2025431C1	-																																															
C*	A44-GA	16	WH	1661875C1	1661872C1																																															
C#	A44C-G	16	WH	1661875C1	1661872C1																																															
D%	A44C	16	GY	1661875C1	1661872C1																																															
D*	A44E	16	GY	1661875C1	1661872C1																																															
D#	A44D	16	GY	1661875C1	1661872C1																																															
<p>AUDIBLE ALARM (211M) (LOCATED INSIDE CENTER DASH PANEL)</p>  <p>CONNECTOR 0593385C1 BODY LOCK 0593387C1</p>				<table border="1" style="width: 100%; border-collapse: collapse;"> <thead> <tr> <th>CAV</th> <th>CIRCUIT</th> <th>GA</th> <th>COLOR</th> <th>TERMINAL</th> </tr> </thead> <tbody> <tr> <td>1</td> <td>-</td> <td>-</td> <td>-</td> <td>-</td> </tr> <tr> <td>2</td> <td>A40</td> <td>18</td> <td>GY</td> <td>1661709C1</td> </tr> <tr> <td>2</td> <td>A40A</td> <td>16</td> <td>GY</td> <td>1661709C1</td> </tr> <tr> <td>3</td> <td>-</td> <td>-</td> <td>-</td> <td>-</td> </tr> <tr> <td>4</td> <td>A29/35</td> <td>18</td> <td>VT</td> <td>1661709C1</td> </tr> <tr> <td>4</td> <td>A29/35A</td> <td>18</td> <td>VT</td> <td>1661709C1</td> </tr> <tr> <td>5</td> <td>A13F</td> <td>16</td> <td>PK</td> <td>1661709C1</td> </tr> <tr> <td>5</td> <td>A13FA</td> <td>18</td> <td>VT</td> <td>1661709C1</td> </tr> </tbody> </table>				CAV	CIRCUIT	GA	COLOR	TERMINAL	1	-	-	-	-	2	A40	18	GY	1661709C1	2	A40A	16	GY	1661709C1	3	-	-	-	-	4	A29/35	18	VT	1661709C1	4	A29/35A	18	VT	1661709C1	5	A13F	16	PK	1661709C1	5	A13FA	18	VT	1661709C1
CAV	CIRCUIT	GA	COLOR	TERMINAL																																																
1	-	-	-	-																																																
2	A40	18	GY	1661709C1																																																
2	A40A	16	GY	1661709C1																																																
3	-	-	-	-																																																
4	A29/35	18	VT	1661709C1																																																
4	A29/35A	18	VT	1661709C1																																																
5	A13F	16	PK	1661709C1																																																
5	A13FA	18	VT	1661709C1																																																
<p>RESISTER FOR AUDIBLE ALARM (211N)</p>  <p>CONNECTOR 3683465C1 BODY LOCK 3683466C1</p>				<table border="1" style="width: 100%; border-collapse: collapse;"> <thead> <tr> <th>CAV</th> <th>CIRCUIT</th> <th>GA</th> <th>COLOR</th> <th>TERMINAL</th> </tr> </thead> <tbody> <tr> <td>A</td> <td>A29/35A</td> <td>18</td> <td>VT</td> <td>3683464C1</td> </tr> <tr> <td>B</td> <td>A13FA</td> <td>18</td> <td>VT</td> <td>3683464C1</td> </tr> </tbody> </table>				CAV	CIRCUIT	GA	COLOR	TERMINAL	A	A29/35A	18	VT	3683464C1	B	A13FA	18	VT	3683464C1																														
CAV	CIRCUIT	GA	COLOR	TERMINAL																																																
A	A29/35A	18	VT	3683464C1																																																
B	A13FA	18	VT	3683464C1																																																
<p>HEADLIGHT ALARM (212M) (LOCATED INSIDE CENTER DASH PANEL)</p>  <p>CONNECTOR 0593385C1 BODY LOCK 0593387C1</p> <p>* W/ HEADLIGHT WARNING BUZZER AND W/HEADLIGHT ALWAYS ON # W/ ENGINE COMPARTMENT TEMP WARNING</p>				<table border="1" style="width: 100%; border-collapse: collapse;"> <thead> <tr> <th>CAV</th> <th>CIRCUIT</th> <th>GA</th> <th>COLOR</th> <th>TERMINAL</th> </tr> </thead> <tbody> <tr> <td>1-3</td> <td>-</td> <td>-</td> <td>-</td> <td>-</td> </tr> <tr> <td>4*</td> <td>A11-GE</td> <td>16</td> <td>WH</td> <td>1661710C1</td> </tr> <tr> <td>4*</td> <td>A11-GH</td> <td>16</td> <td>WH</td> <td>1661710C1</td> </tr> <tr> <td>4#</td> <td>A41-GA</td> <td>16</td> <td>WH</td> <td>1661709C1</td> </tr> <tr> <td>5*</td> <td>A51H</td> <td>16</td> <td>YL</td> <td>1661709C1</td> </tr> <tr> <td>5#</td> <td>A41A</td> <td>16</td> <td>TN</td> <td>1661709C1</td> </tr> </tbody> </table>				CAV	CIRCUIT	GA	COLOR	TERMINAL	1-3	-	-	-	-	4*	A11-GE	16	WH	1661710C1	4*	A11-GH	16	WH	1661710C1	4#	A41-GA	16	WH	1661709C1	5*	A51H	16	YL	1661709C1	5#	A41A	16	TN	1661709C1										
CAV	CIRCUIT	GA	COLOR	TERMINAL																																																
1-3	-	-	-	-																																																
4*	A11-GE	16	WH	1661710C1																																																
4*	A11-GH	16	WH	1661710C1																																																
4#	A41-GA	16	WH	1661709C1																																																
5*	A51H	16	YL	1661709C1																																																
5#	A41A	16	TN	1661709C1																																																
CHK	DATE	CHANGE	REV	REFERENCE	DRAWN	NAME																																														
MJV0	19SEP19	ADDED CIRC A29/35A	B	95004Y	23132922	CIRCUIT DIAGRAM, RE BUS - CHASSIS																																														
	& A13FA	AT R/D 211M.			RELEASE NO.	DATE	PART NO.																																													
					93784R	27FEB17	AE08085143																																													
							SHEET 011																																													

Figure 123 Connector Body Composites (168A, 211M, 211N, 212M)

12.13. CONNECTOR BODY COMPOSITES (288X1, 289, 290, 291, 292), P. 12

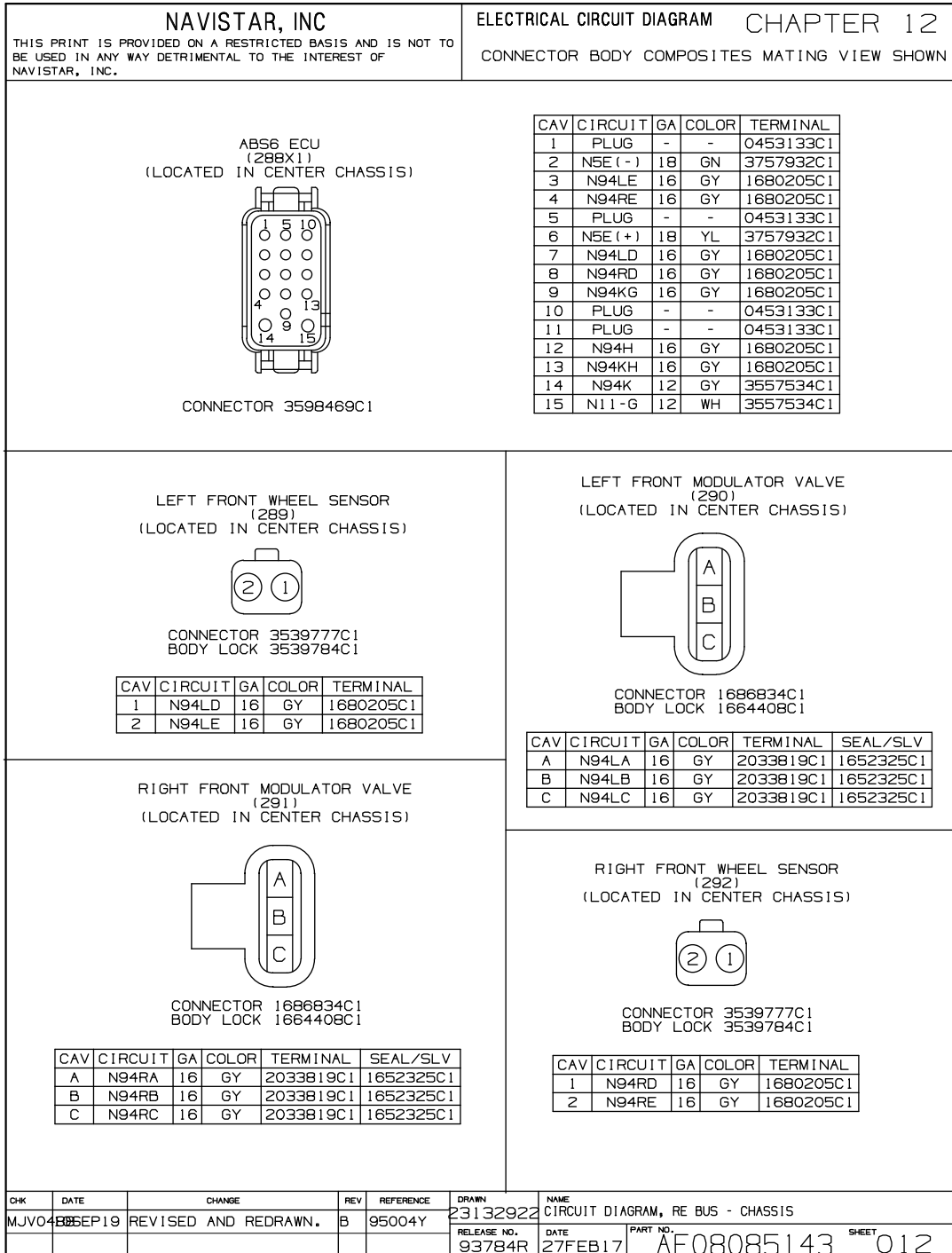


Figure 124 Connector Body Composites (288X1, 289, 290, 291, 292)

12.14. CONNECTOR BODY COMPOSITES (297, 299, 350X2, 351, 352, 353, 354), P. 13

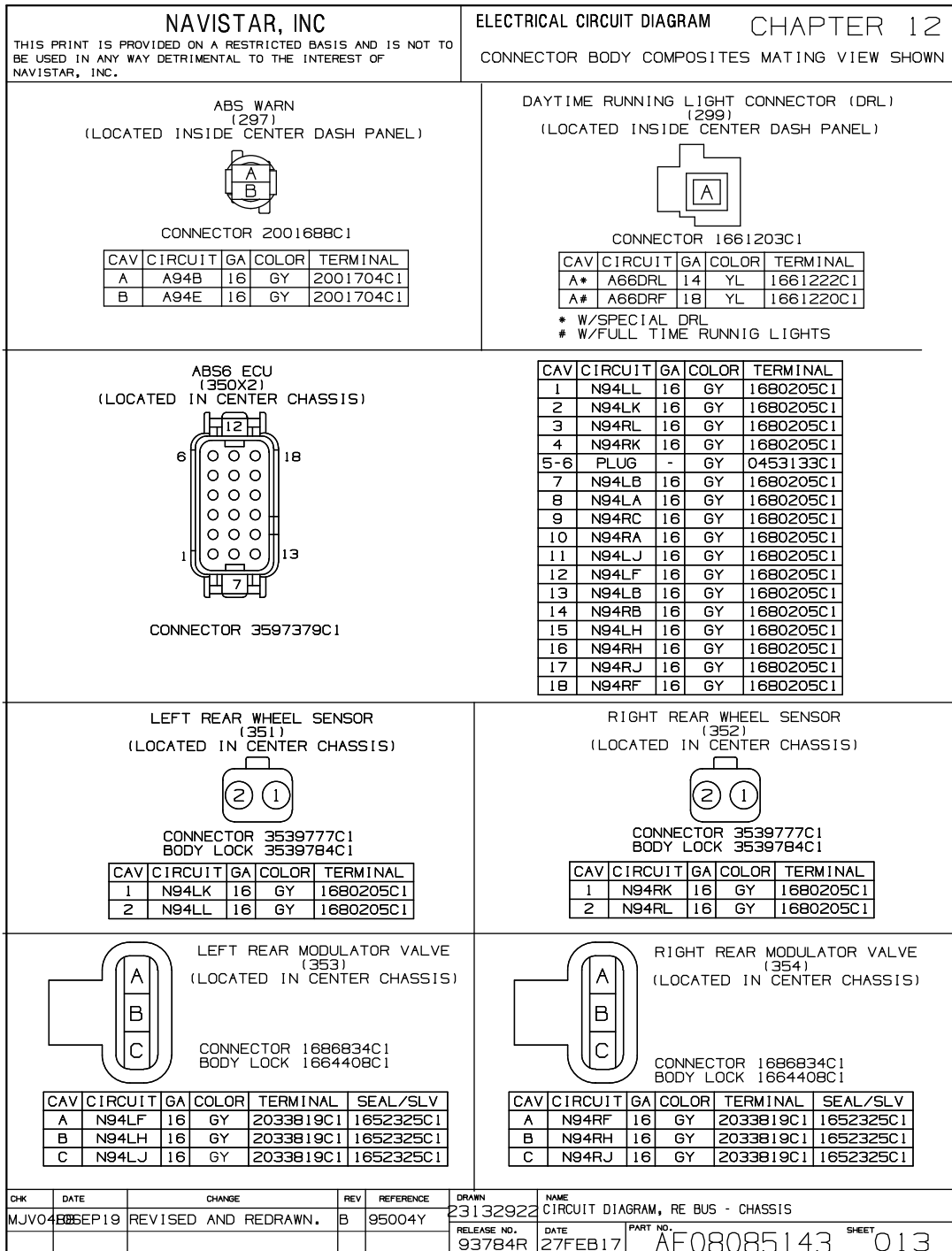


Figure 125 Connector Body Composites (297, 299, 350X2, 351, 352, 353, 354)

12.15. CONNECTOR BODY COMPOSITES (382M, 391, 392, 500), P. 14

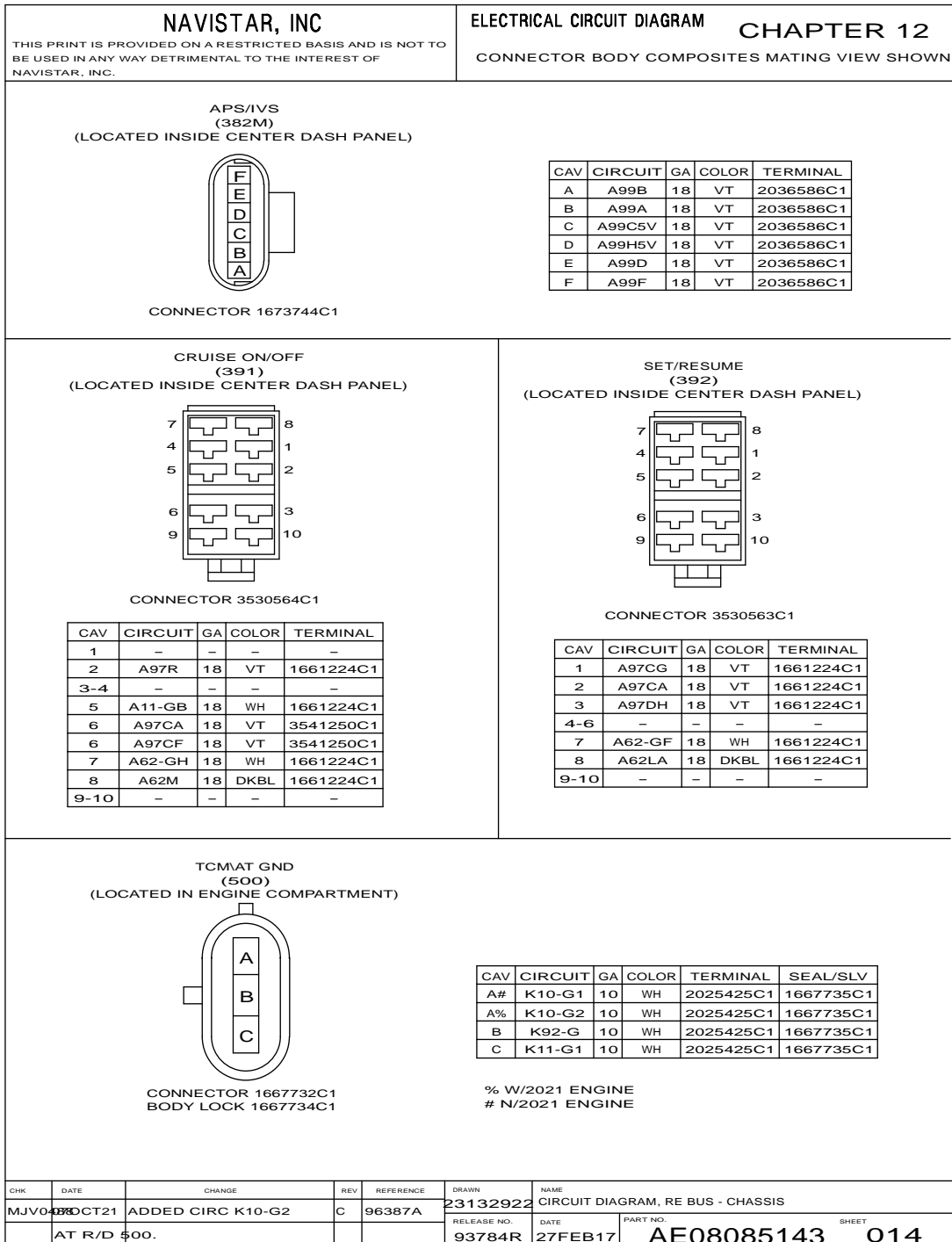


Figure 126 Connector Body Composites (382M, 391, 392, 500)

12.16. CONNECTOR BODY COMPOSITES (523), P. 15

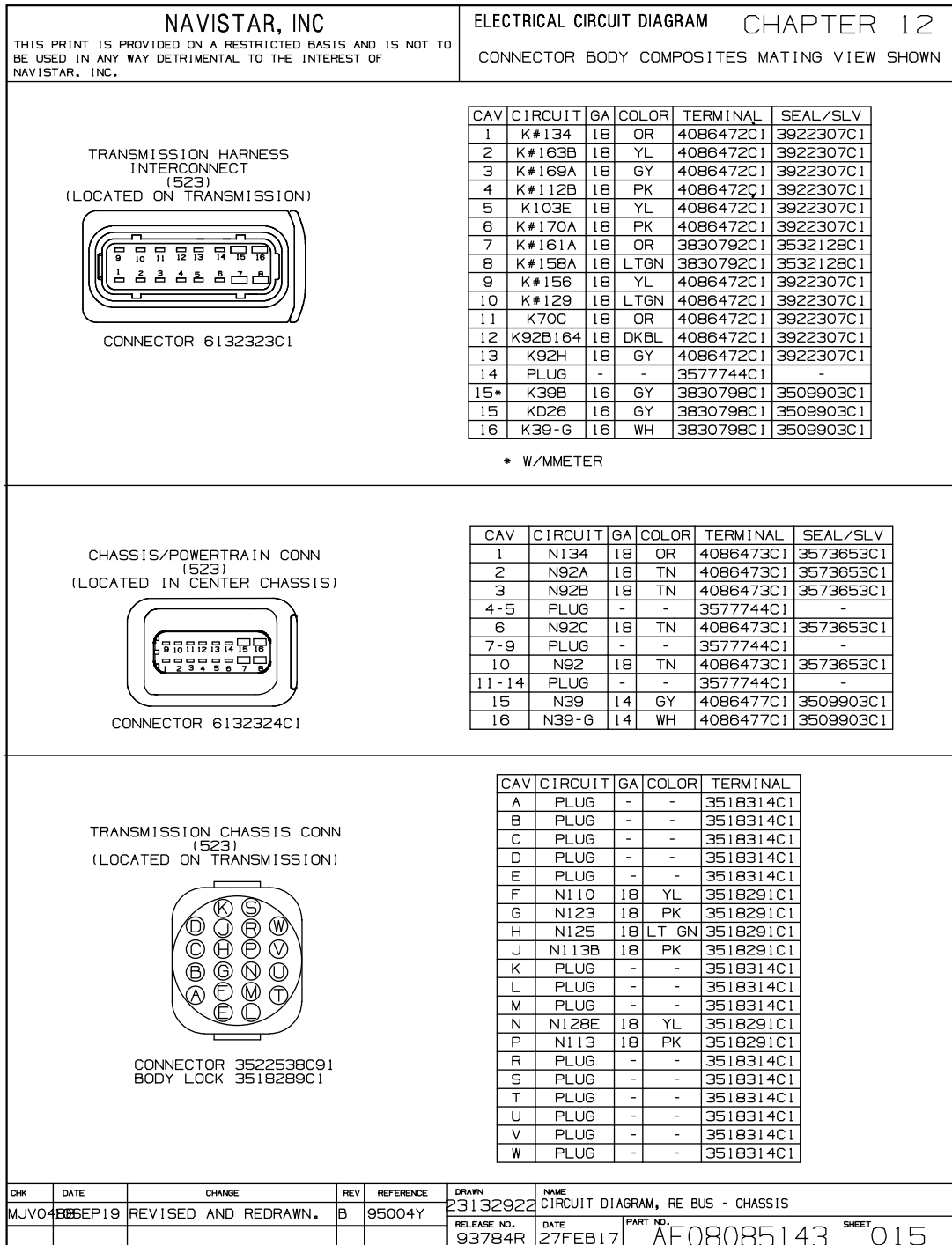


Figure 127 Connector Body Composites (523)

12.17. CONNECTOR BODY COMPOSITES (600, 674), P. 15A

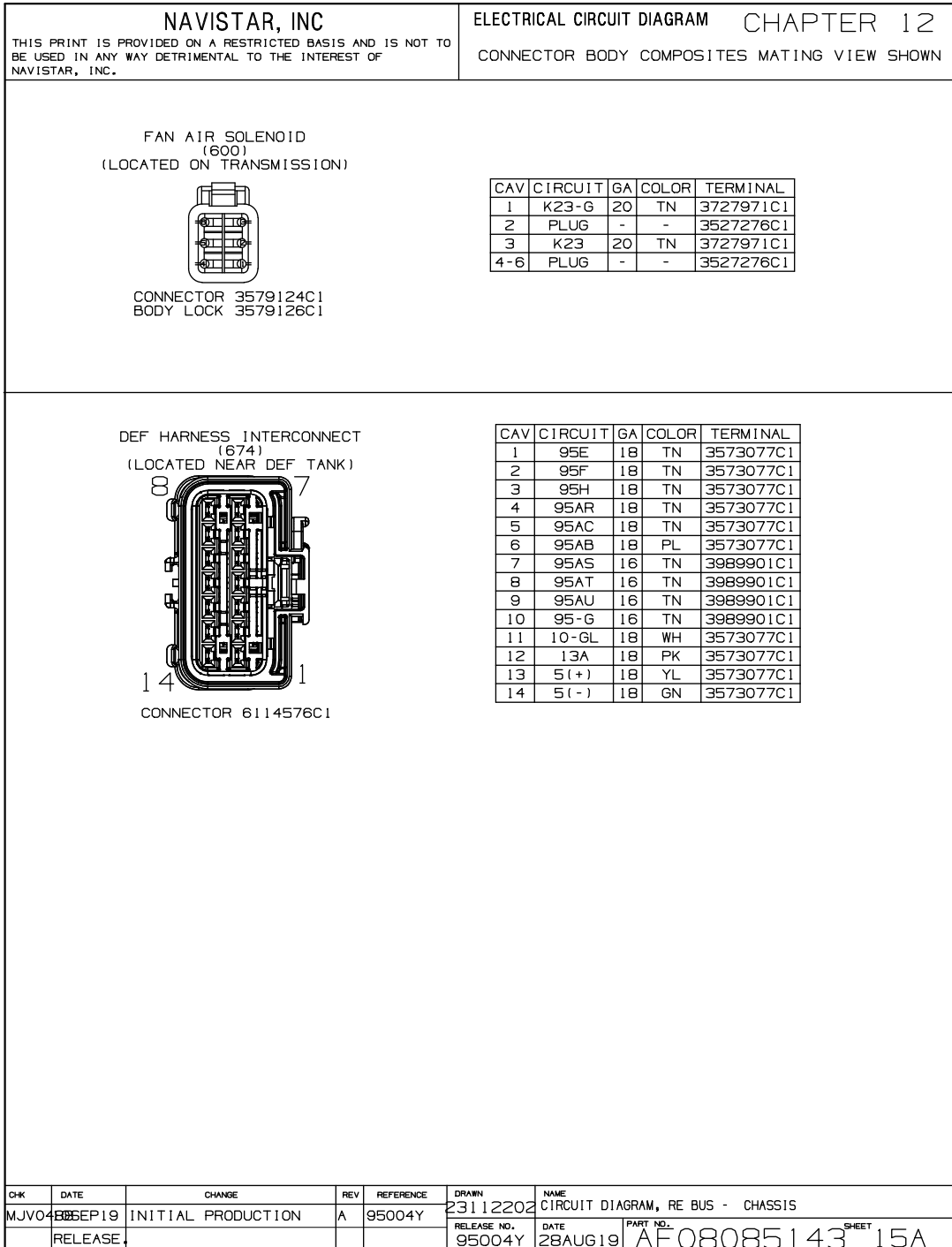


Figure 128 Connector Body Composites (600, 674)

12.18. CONNECTOR BODY COMPOSITES (674, 675, 676, 677, 678), P. 16

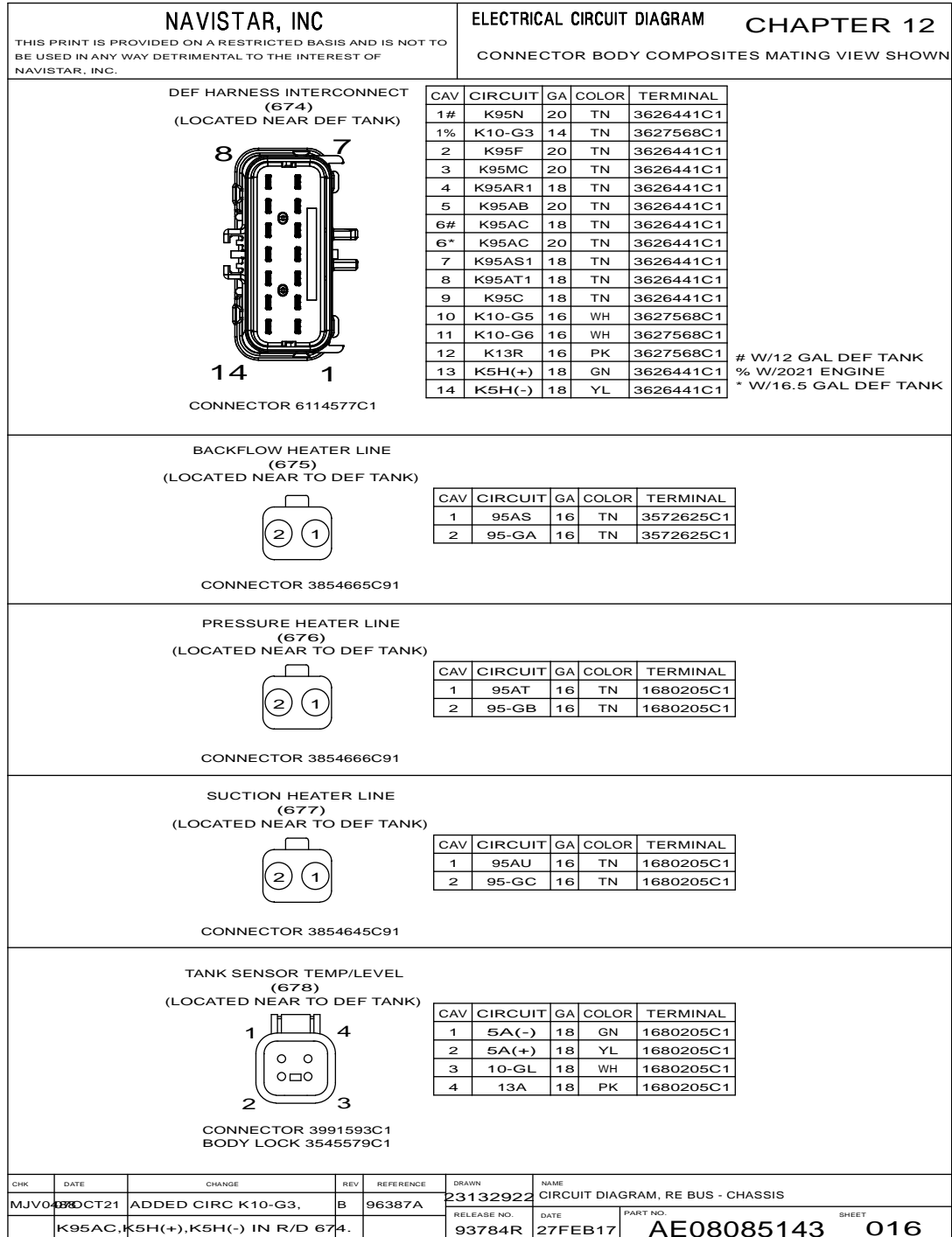


Figure 129 Connector Body Composites (674, 675, 676, 677, 678)

12.19. CONNECTOR BODY COMPOSITES (679), P. 17

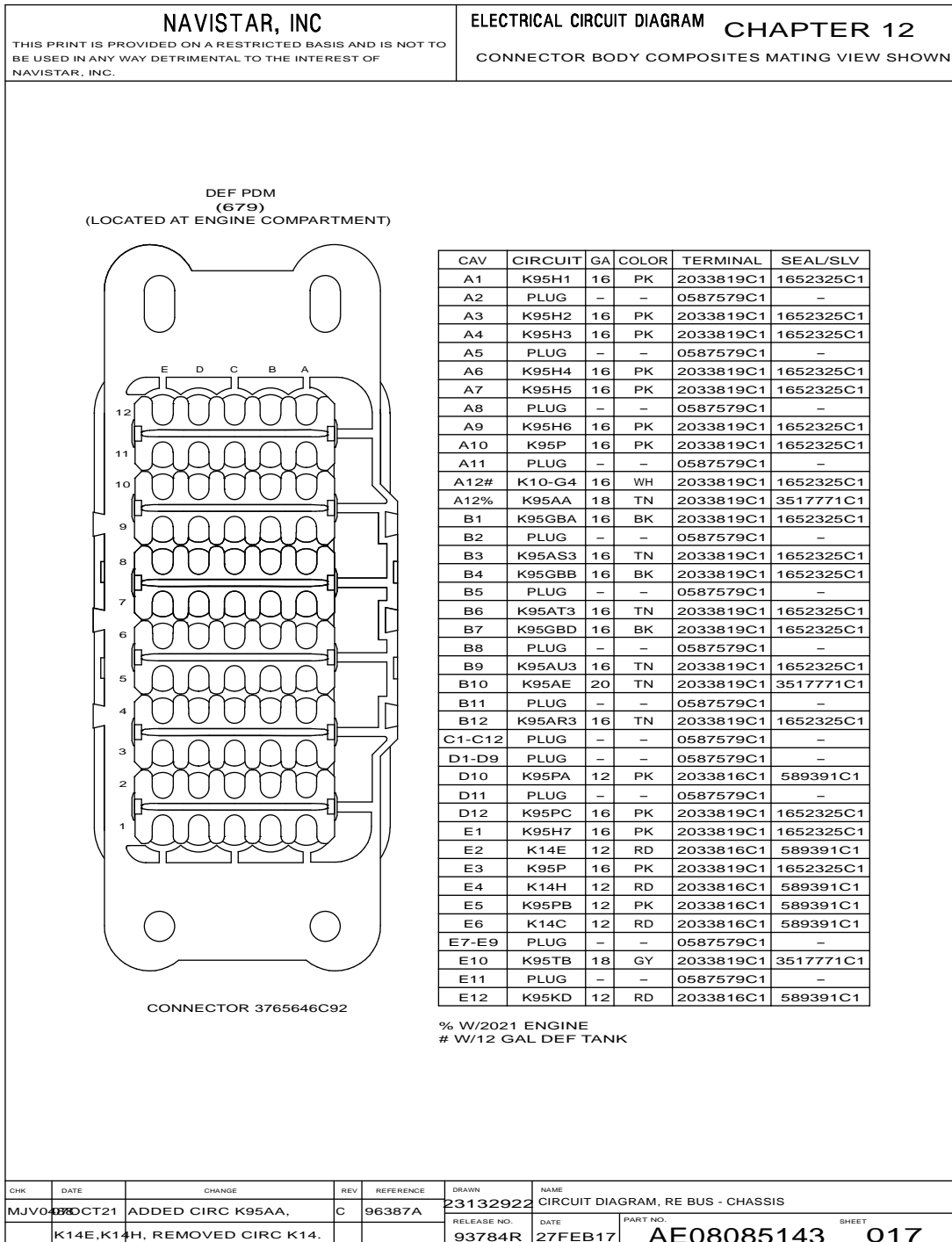


Figure 130 Connector Body Composites (679)

12.20. CONNECTOR BODY COMPOSITES (680, 681, 691, 898), P. 18

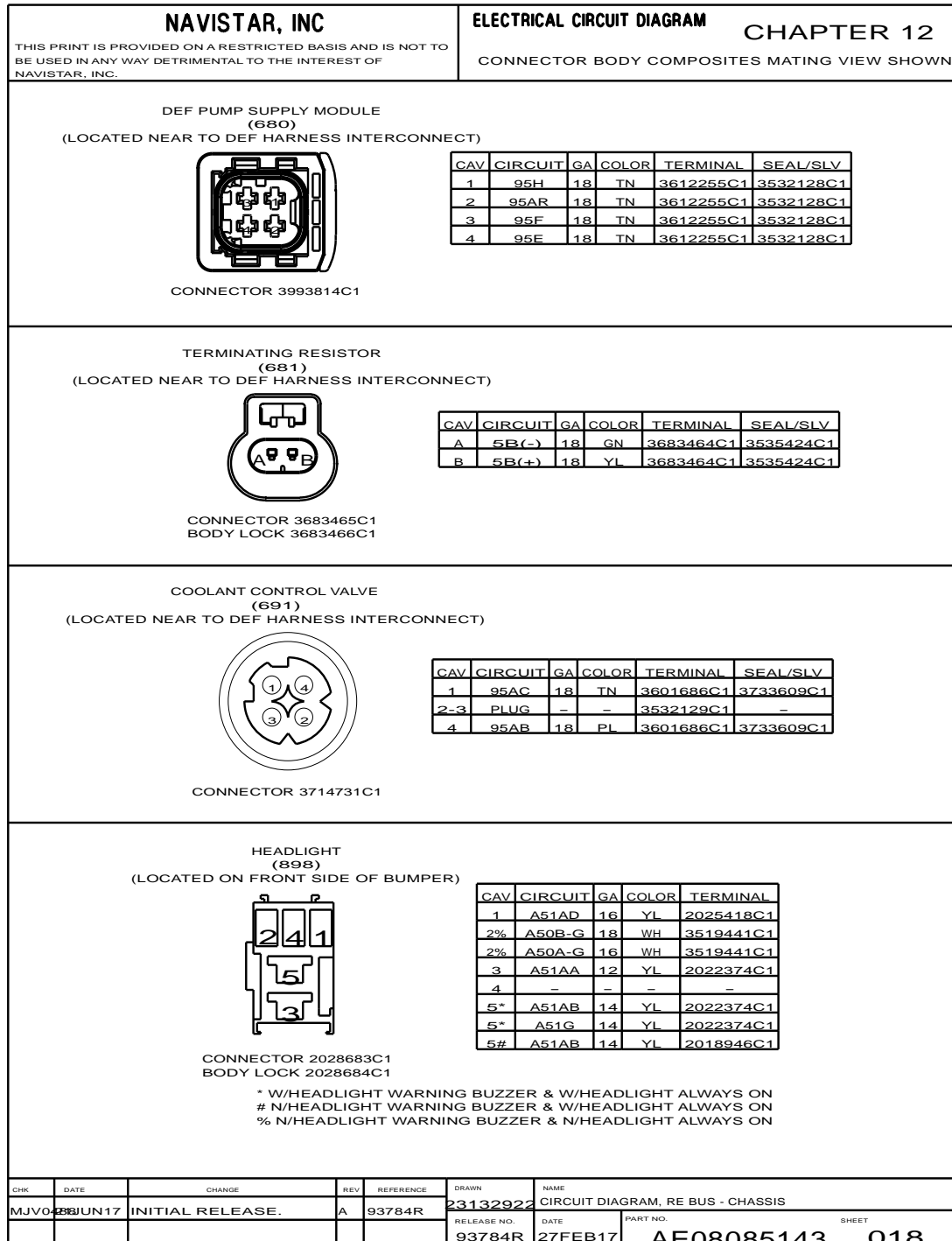


Figure 131 Connector Body Composites (680, 681, 691, 898)

12.21. CONNECTOR BODY COMPOSITES (899, 922, 922A, 925), P. 19

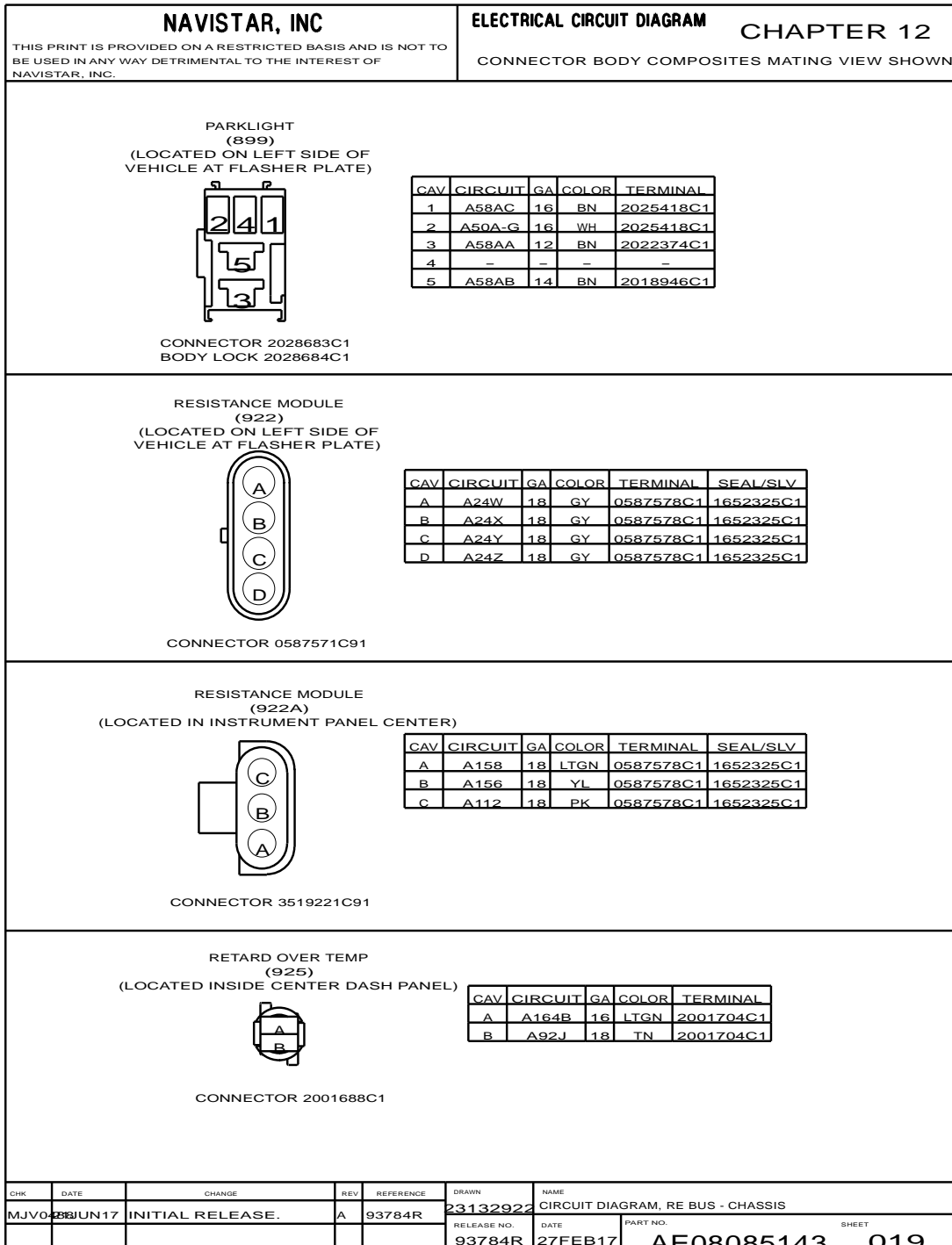


Figure 132 Connector Body Composites (899, 922, 922A, 925)

12.22. CONNECTOR BODY COMPOSITES (926, 992, 995, 996M), P. 20

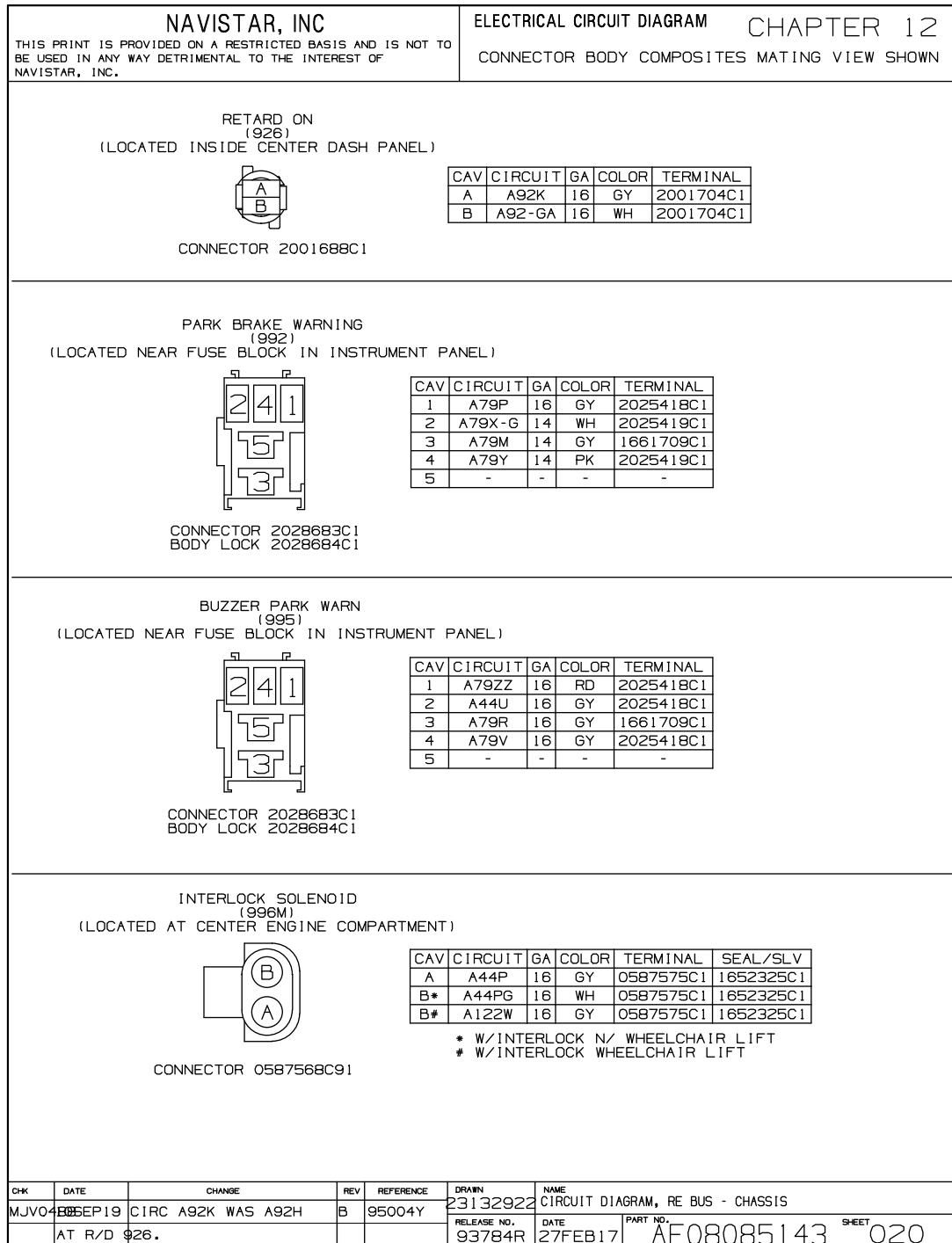


Figure 133 Connector Body Composites (926, 992, 995, 996M)

12.23. CONNECTOR BODY COMPOSITES (997, 998, 1003, 1004), P. 21

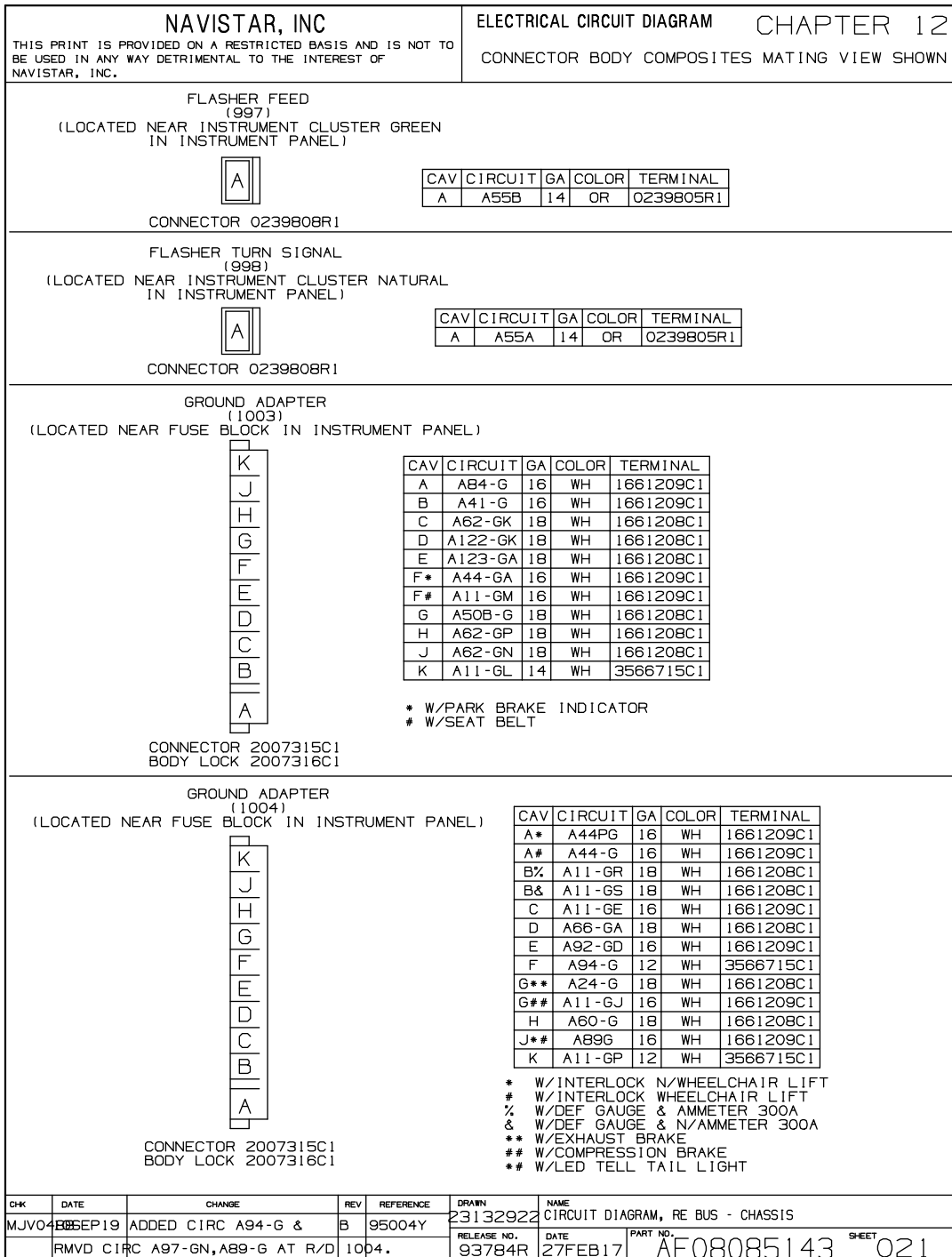


Figure 134 Connector Body Composites (997, 998, 1003, 1004)

12.24. CONNECTOR BODY COMPOSITES (1008, 1030), P. 22

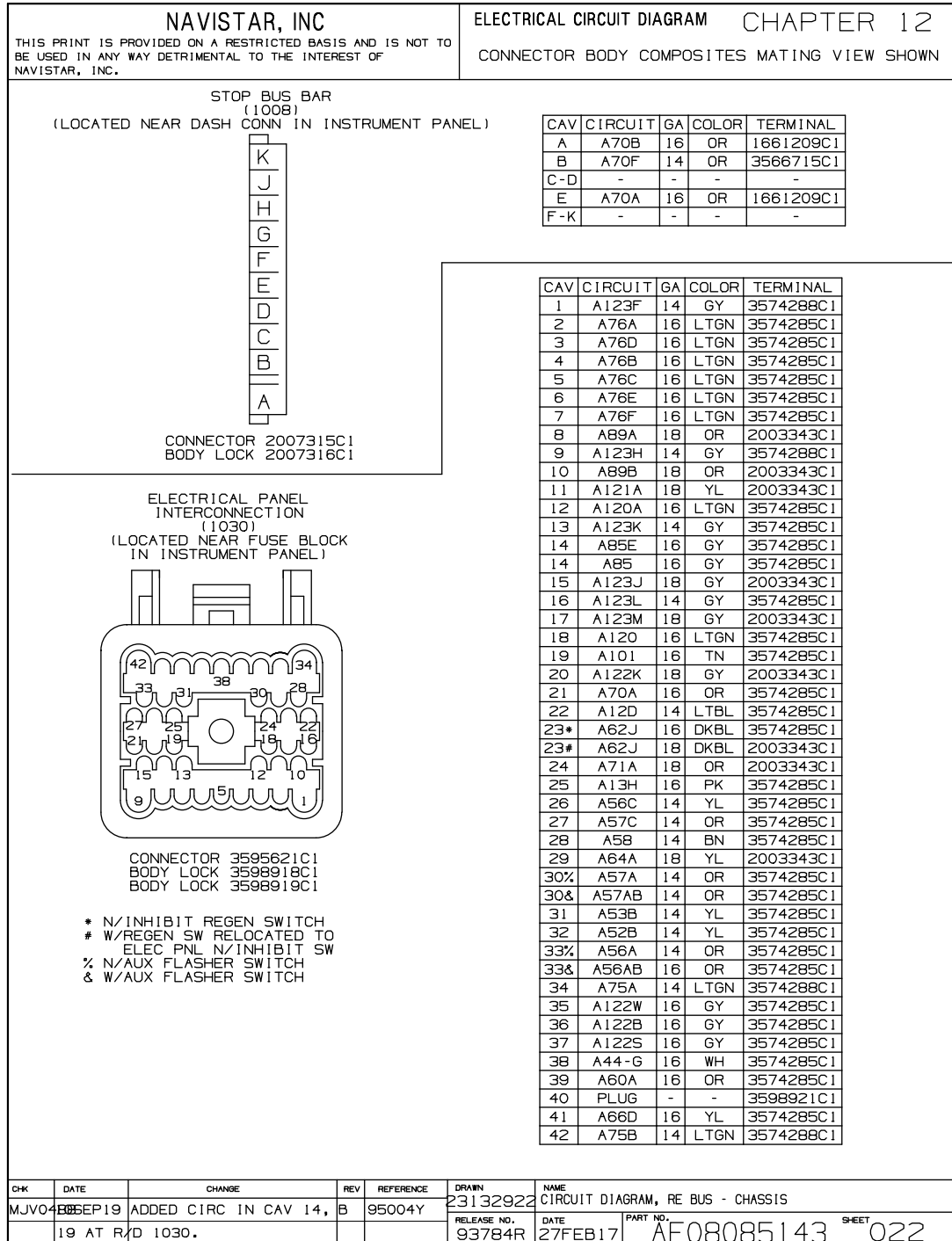


Figure 135 Connector Body Composites (1008, 1030)

12.25. CONNECTOR BODY COMPOSITES (1030), P. 23

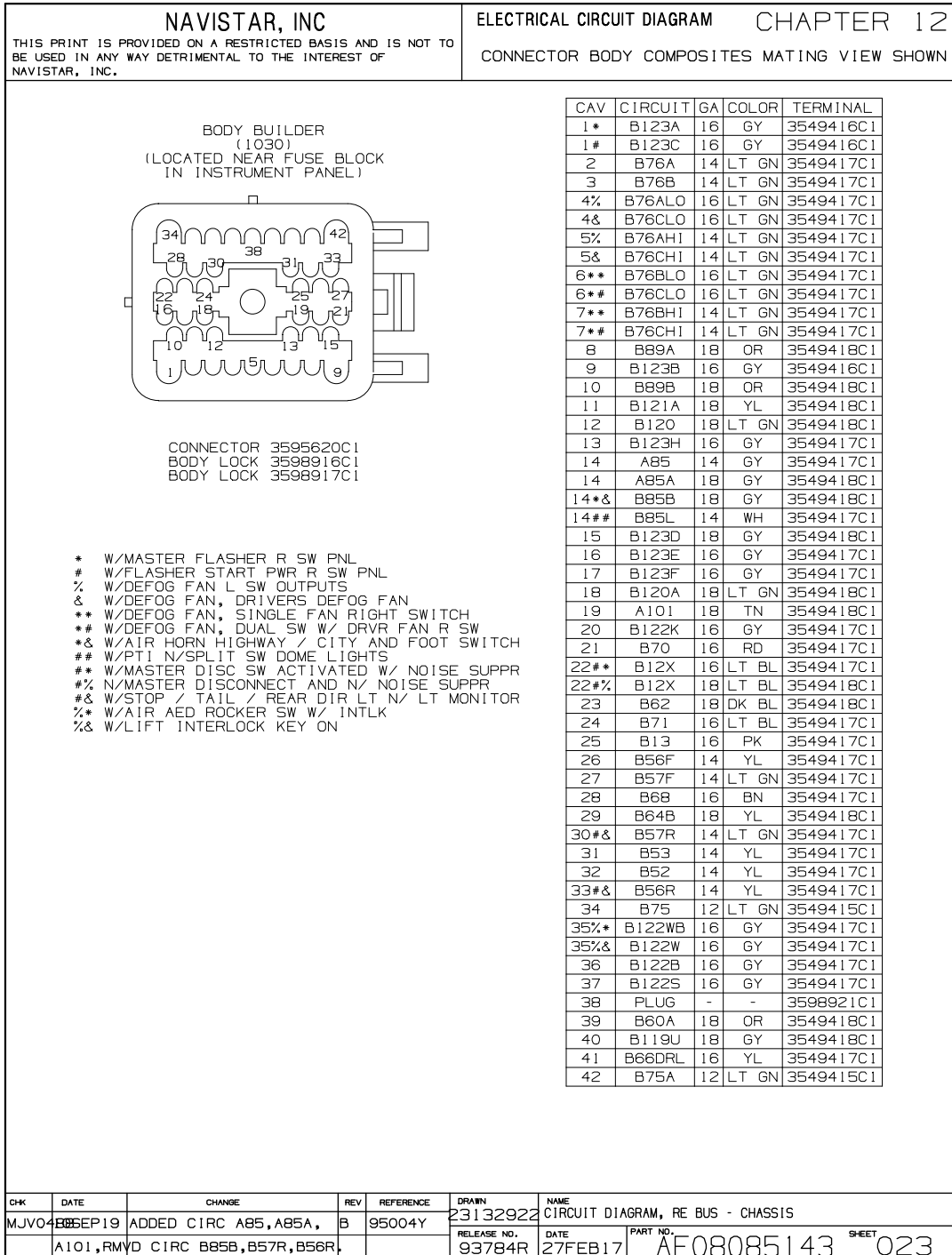


Figure 136 Connector Body Composites (1030)

12.26. CONNECTOR BODY COMPOSITES (1030P, 1031, 1032), P. 24

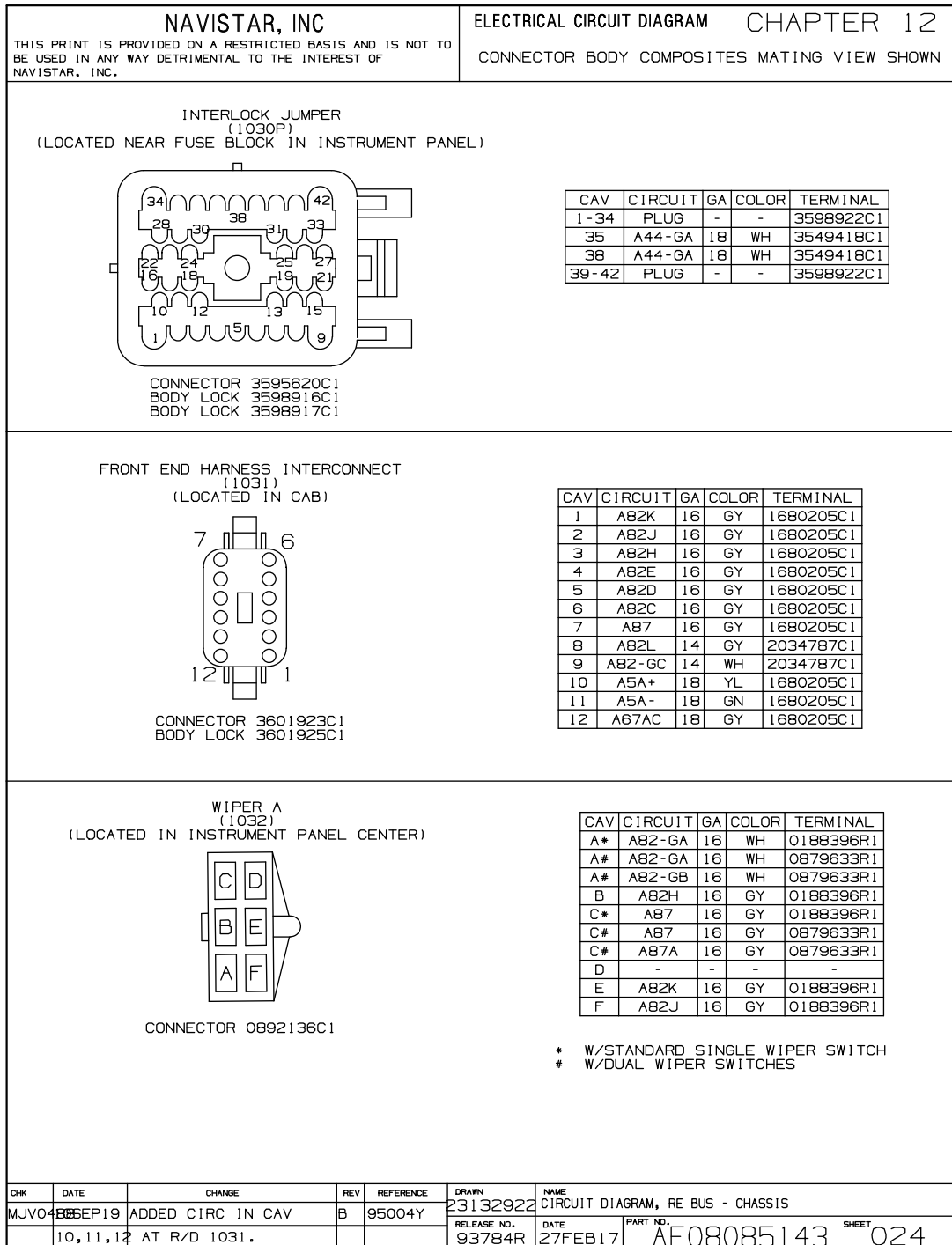


Figure 137 Connector Body Composites (1030P, 1031, 1032)

12.27. CONNECTOR BODY COMPOSITES (1033, 1034, 1036, 1037), P. 25

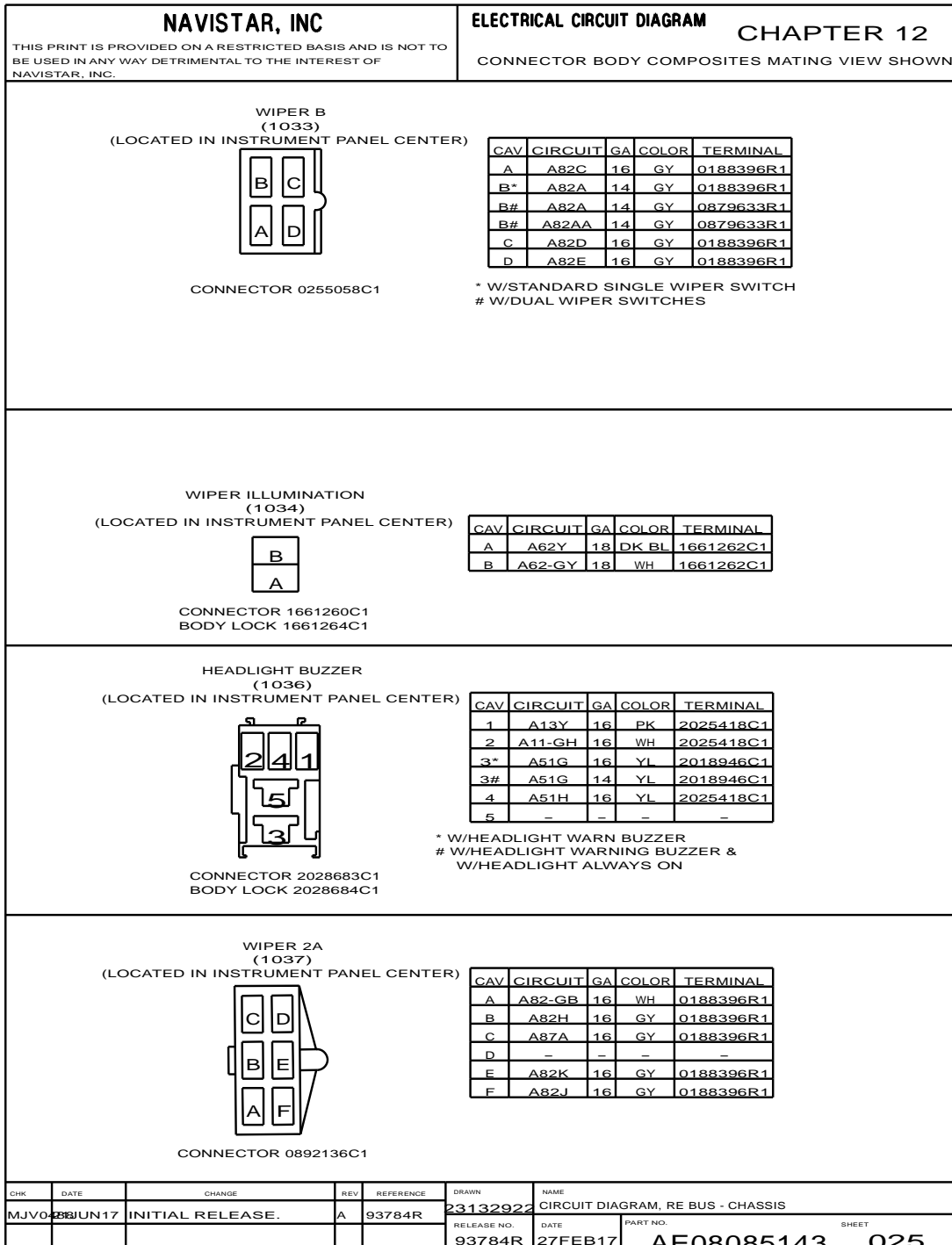


Figure 138 Connector Body Composites (1033, 1034, 1036, 1037)

12.28. CONNECTOR BODY COMPOSITES (1038, 1040, 1041), P. 26

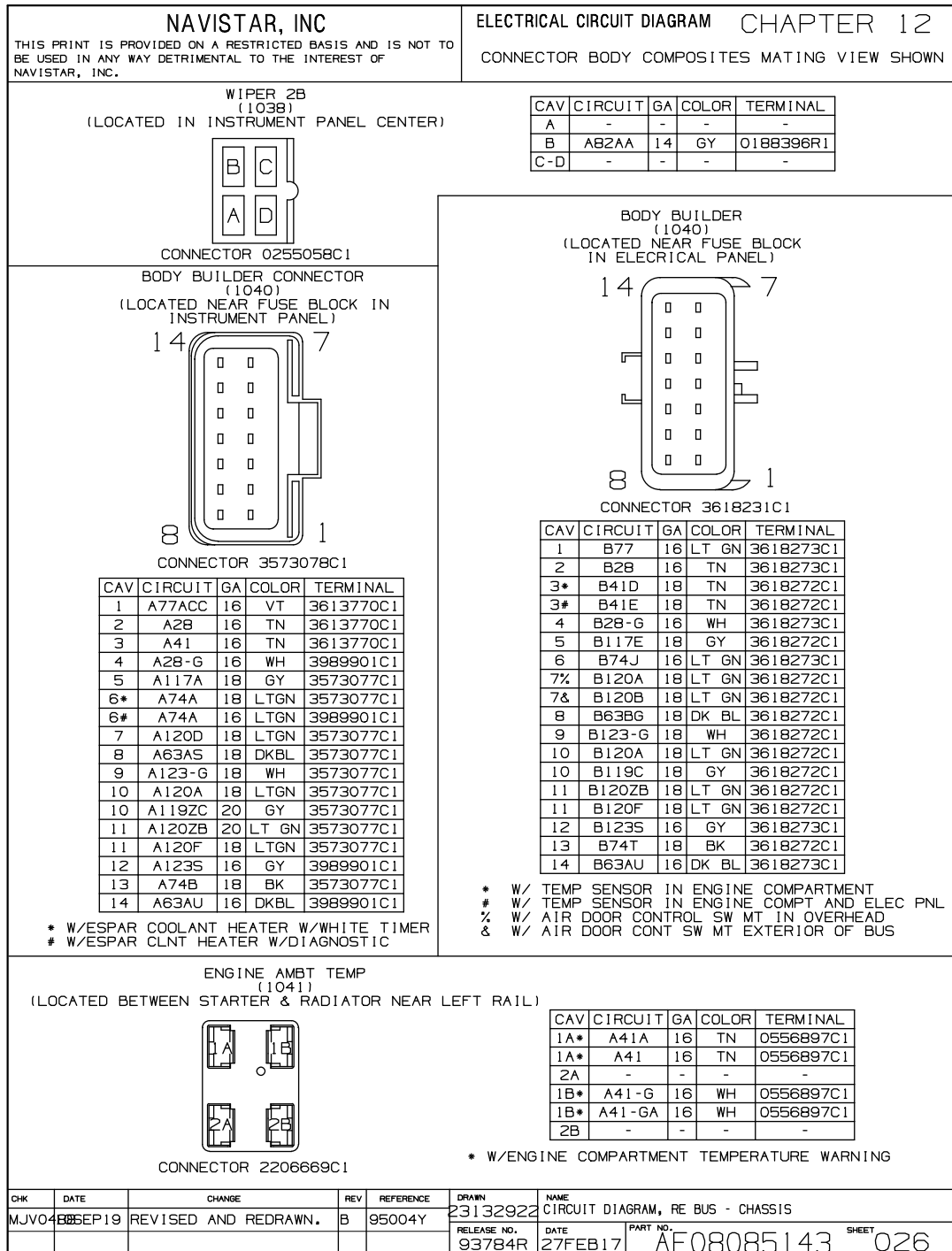


Figure 139 Connector Body Composites (1038, 1040, 1041)

12.29. CONNECTOR BODY COMPOSITES (1042A, 1042B, 1043A, 1050), P. 27



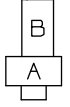
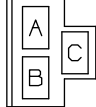
NAVISTAR, INC					ELECTRICAL CIRCUIT DIAGRAM CHAPTER 12																													
THIS PRINT IS PROVIDED ON A RESTRICTED BASIS AND IS NOT TO BE USED IN ANY WAY DETRIMENTAL TO THE INTEREST OF NAVISTAR, INC.					CONNECTOR BODY COMPOSITES MATING VIEW SHOWN																													
HUMPREY (1042A) (LOCATED NEAR DASH CONNECTOR IN INSTRUMENT PANEL)					<table border="1" style="width: 100%; border-collapse: collapse;"> <thead> <tr> <th>CAV</th> <th>CIRCUIT</th> <th>GA</th> <th>COLOR</th> <th>TERMINAL</th> </tr> </thead> <tbody> <tr> <td>A</td> <td>A62AE</td> <td>18</td> <td>DKBL</td> <td>0879630R1</td> </tr> </tbody> </table>					CAV	CIRCUIT	GA	COLOR	TERMINAL	A	A62AE	18	DKBL	0879630R1															
CAV	CIRCUIT	GA	COLOR	TERMINAL																														
A	A62AE	18	DKBL	0879630R1																														
 CONNECTOR 0899167R1																																		
HUMPREY (1042B) (LOCATED NEAR DASH CONNECTOR IN INSTRUMENT PANEL)					<table border="1" style="width: 100%; border-collapse: collapse;"> <thead> <tr> <th>CAV</th> <th>CIRCUIT</th> <th>GA</th> <th>COLOR</th> <th>TERMINAL</th> </tr> </thead> <tbody> <tr> <td>A</td> <td>A62-GL</td> <td>18</td> <td>WH</td> <td>0879630R1</td> </tr> </tbody> </table>					CAV	CIRCUIT	GA	COLOR	TERMINAL	A	A62-GL	18	WH	0879630R1															
CAV	CIRCUIT	GA	COLOR	TERMINAL																														
A	A62-GL	18	WH	0879630R1																														
 CONNECTOR 0899167R1																																		
PARK BRAKE DIODE (1043A) (LOCATED NEAR FUSE BLOCK IN INSTRUMENT PANEL)					<table border="1" style="width: 100%; border-collapse: collapse;"> <thead> <tr> <th>CAV</th> <th>CIRCUIT</th> <th>GA</th> <th>COLOR</th> <th>TERMINAL</th> </tr> </thead> <tbody> <tr> <td>A</td> <td>A44V</td> <td>16</td> <td>GY</td> <td>0188396R1</td> </tr> <tr> <td>B</td> <td>A44W</td> <td>16</td> <td>GY</td> <td>0188396R1</td> </tr> </tbody> </table>					CAV	CIRCUIT	GA	COLOR	TERMINAL	A	A44V	16	GY	0188396R1	B	A44W	16	GY	0188396R1										
CAV	CIRCUIT	GA	COLOR	TERMINAL																														
A	A44V	16	GY	0188396R1																														
B	A44W	16	GY	0188396R1																														
 CONNECTOR 0872291R1																																		
DIODE (1050) (LOCATED NEAR FUSE BLOCK IN INSTRUMENT PANEL)					<table border="1" style="width: 100%; border-collapse: collapse;"> <thead> <tr> <th>CAV</th> <th>CIRCUIT</th> <th>GA</th> <th>COLOR</th> <th>TERMINAL</th> </tr> </thead> <tbody> <tr> <td>A</td> <td>A70D</td> <td>18</td> <td>OR</td> <td>0333736C1</td> </tr> <tr> <td>A</td> <td>A97N</td> <td>18</td> <td>VT</td> <td>0333736C1</td> </tr> <tr> <td>B</td> <td>A97MA</td> <td>18</td> <td>VT</td> <td>0333732C1</td> </tr> <tr> <td>C</td> <td>A70E</td> <td>18</td> <td>OR</td> <td>0333732C1</td> </tr> </tbody> </table>					CAV	CIRCUIT	GA	COLOR	TERMINAL	A	A70D	18	OR	0333736C1	A	A97N	18	VT	0333736C1	B	A97MA	18	VT	0333732C1	C	A70E	18	OR	0333732C1
CAV	CIRCUIT	GA	COLOR	TERMINAL																														
A	A70D	18	OR	0333736C1																														
A	A97N	18	VT	0333736C1																														
B	A97MA	18	VT	0333732C1																														
C	A70E	18	OR	0333732C1																														
 CONNECTOR 0598839C1																																		
CHK	DATE	CHANGE	REV	REFERENCE	DRAWN	NAME																												
MJVO	08SEP19	RMVD CONN 1060A &	B	95004Y	23132922	CIRCUIT DIAGRAM, RE BUS - CHASSIS																												
					RELEASE NO.	DATE	PART NO.	SHEET																										
					93784R	28FEB17	AE08085143	027																										

Figure 140 Connector Body Composites (1042A, 1042B, 1043A, 1050)

12.30. CONNECTOR BODY COMPOSITES (1062, 1063, 1065), P. 28

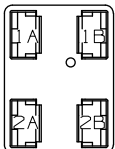
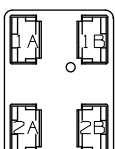
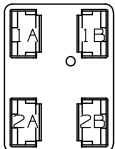
NAVISTAR, INC <small>THIS PRINT IS PROVIDED ON A RESTRICTED BASIS AND IS NOT TO BE USED IN ANY WAY DETRIMENTAL TO THE INTEREST OF NAVISTAR, INC.</small>				ELECTRICAL CIRCUIT DIAGRAM CHAPTER 12 CONNECTOR BODY COMPOSITES MATING VIEW SHOWN																											
<p>ENGINE COMP LIGHT (1062) (LOCATED NEAR INSTR CLUSTER NATURAL IN INSTRUMENT PANEL)</p>  <p>CONNECTOR Z206669C1</p> <table border="1" style="margin-left: auto; margin-right: auto;"> <thead> <tr> <th>CAV</th> <th>CIRCUIT</th> <th>GA</th> <th>COLOR</th> <th>TERMINAL</th> </tr> </thead> <tbody> <tr> <td>1A</td> <td>A121A</td> <td>1B</td> <td>YL</td> <td>1661224C1</td> </tr> <tr> <td>2A</td> <td>-</td> <td>-</td> <td>-</td> <td>-</td> </tr> <tr> <td>1B</td> <td>A121-GA</td> <td>1B</td> <td>WH</td> <td>1661224C1</td> </tr> <tr> <td>2B</td> <td>-</td> <td>-</td> <td>-</td> <td>-</td> </tr> </tbody> </table>							CAV	CIRCUIT	GA	COLOR	TERMINAL	1A	A121A	1B	YL	1661224C1	2A	-	-	-	-	1B	A121-GA	1B	WH	1661224C1	2B	-	-	-	-
CAV	CIRCUIT	GA	COLOR	TERMINAL																											
1A	A121A	1B	YL	1661224C1																											
2A	-	-	-	-																											
1B	A121-GA	1B	WH	1661224C1																											
2B	-	-	-	-																											
<p>LIFT LIGHT (1063) (LOCATED NEAR INSTR CLUSTER NATURAL IN INSTRUMENT PANEL)</p>  <p>CONNECTOR Z206669C1</p> <table border="1" style="margin-left: auto; margin-right: auto;"> <thead> <tr> <th>CAV</th> <th>CIRCUIT</th> <th>GA</th> <th>COLOR</th> <th>TERMINAL</th> </tr> </thead> <tbody> <tr> <td>1A</td> <td>A122K</td> <td>1B</td> <td>GY</td> <td>1661224C1</td> </tr> <tr> <td>2A</td> <td>-</td> <td>-</td> <td>-</td> <td>-</td> </tr> <tr> <td>1B</td> <td>A122-GK</td> <td>1B</td> <td>WH</td> <td>1661224C1</td> </tr> <tr> <td>2B</td> <td>-</td> <td>-</td> <td>-</td> <td>-</td> </tr> </tbody> </table>							CAV	CIRCUIT	GA	COLOR	TERMINAL	1A	A122K	1B	GY	1661224C1	2A	-	-	-	-	1B	A122-GK	1B	WH	1661224C1	2B	-	-	-	-
CAV	CIRCUIT	GA	COLOR	TERMINAL																											
1A	A122K	1B	GY	1661224C1																											
2A	-	-	-	-																											
1B	A122-GK	1B	WH	1661224C1																											
2B	-	-	-	-																											
<p>LIFT LIGHT (1065) (LOCATED NEAR INSTR CLUSTER NATURAL IN INSTRUMENT PANEL)</p>  <p>CONNECTOR Z206669C1</p> <table border="1" style="margin-left: auto; margin-right: auto;"> <thead> <tr> <th>CAV</th> <th>CIRCUIT</th> <th>GA</th> <th>COLOR</th> <th>TERMINAL</th> </tr> </thead> <tbody> <tr> <td>1A</td> <td>A117B</td> <td>1B</td> <td>GY</td> <td>1661224C1</td> </tr> <tr> <td>2A</td> <td>-</td> <td>-</td> <td>-</td> <td>-</td> </tr> <tr> <td>1B</td> <td>A117A</td> <td>1B</td> <td>GY</td> <td>1661224C1</td> </tr> <tr> <td>2B</td> <td>-</td> <td>-</td> <td>-</td> <td>-</td> </tr> </tbody> </table>							CAV	CIRCUIT	GA	COLOR	TERMINAL	1A	A117B	1B	GY	1661224C1	2A	-	-	-	-	1B	A117A	1B	GY	1661224C1	2B	-	-	-	-
CAV	CIRCUIT	GA	COLOR	TERMINAL																											
1A	A117B	1B	GY	1661224C1																											
2A	-	-	-	-																											
1B	A117A	1B	GY	1661224C1																											
2B	-	-	-	-																											
CHK	DATE	CHANGE	REV	REFERENCE	DRAWN	NAME																									
MJVO	28SEP19	ADDED R/D 1062, 1063, & 1065.	B	95004Y	23132922	CIRCUIT DIAGRAM, RE BUS - CHASSIS																									
					RELEASE NO. 93784R	DATE 28FEB17																									
						PART NO. AE08085143																									
						SHEET 028																									

Figure 141 Connector Body Composites (1062, 1063, 1065)

12.31. CONNECTOR BODY COMPOSITES (1100, 1111A, 1111M, 1135, 1136), P. 29

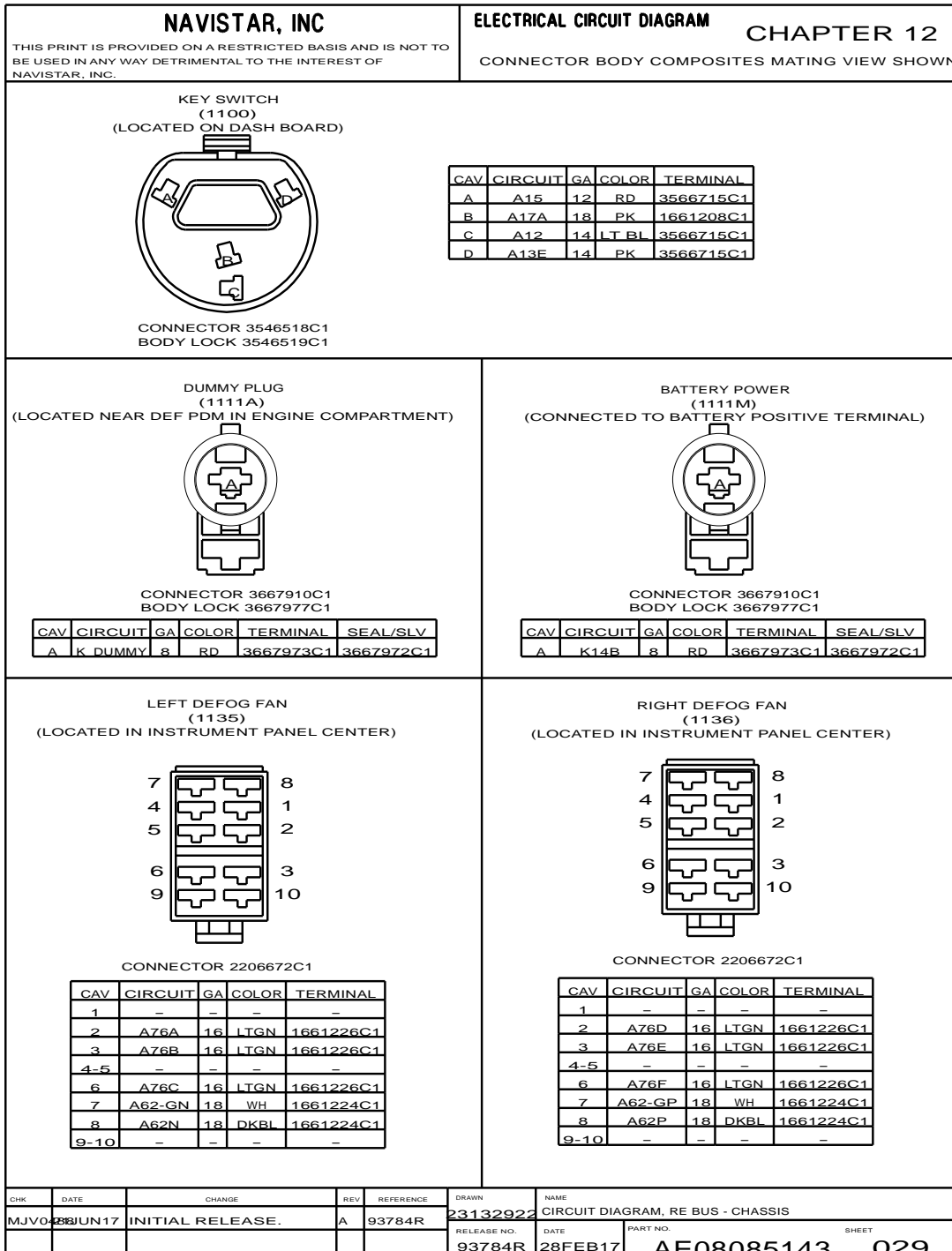


Figure 142 Connector Body Composites (1100, 1111A, 1111M, 1135, 1136)

12.32. CONNECTOR BODY COMPOSITES (1137, 1138, 1139, 1139A, 1139B), P. 30

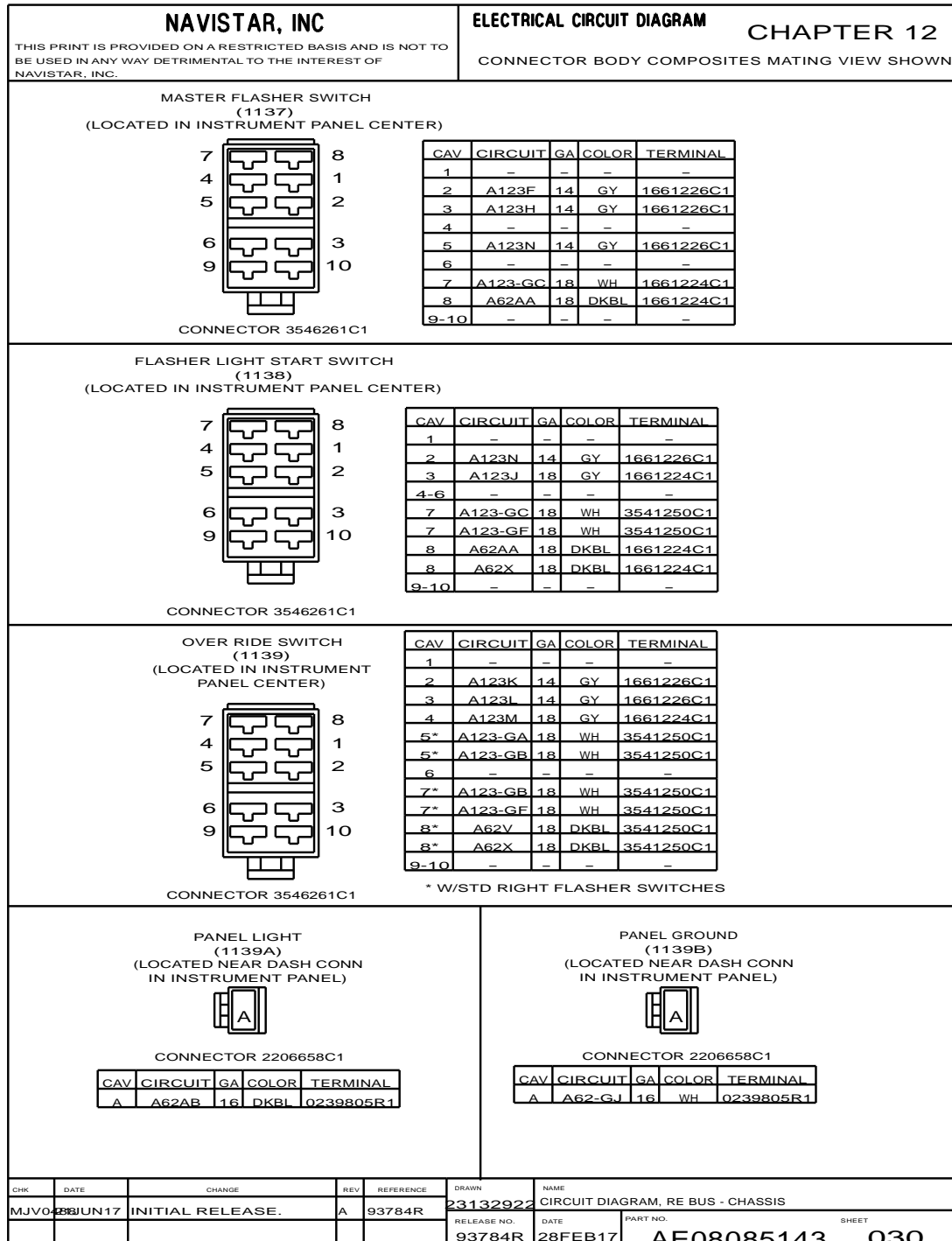


Figure 143 Connector Body Composites (1137, 1138, 1139, 1139A, 1139B)

12.33. CONNECTOR BODY COMPOSITES (1141, 1142, 1143A, 1143B), P. 31

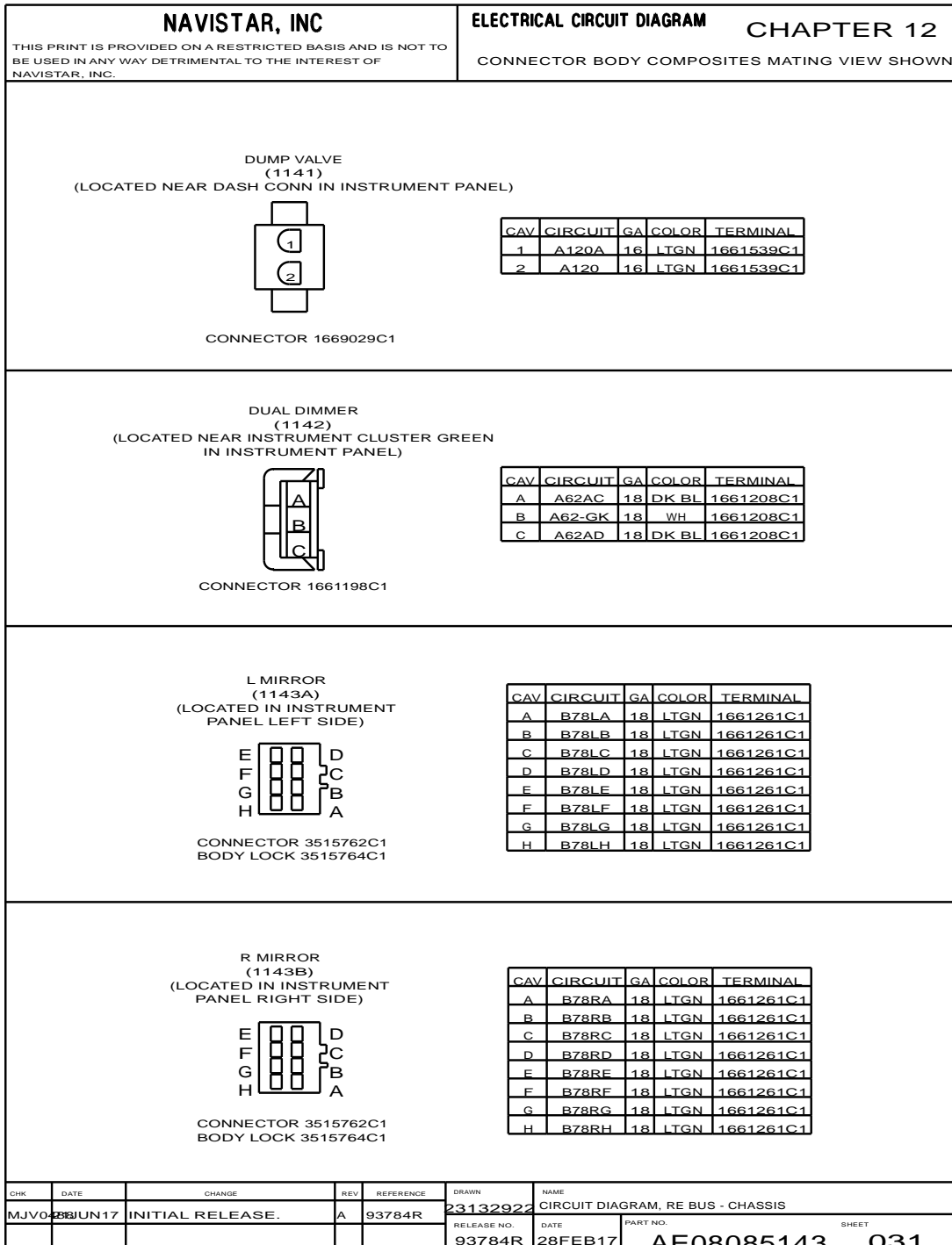


Figure 144 Connector Body Composites (1141, 1142, 1143A, 1143B)

12.34. CONNECTOR BODY COMPOSITES (1149, 1150, 1150B), P. 32

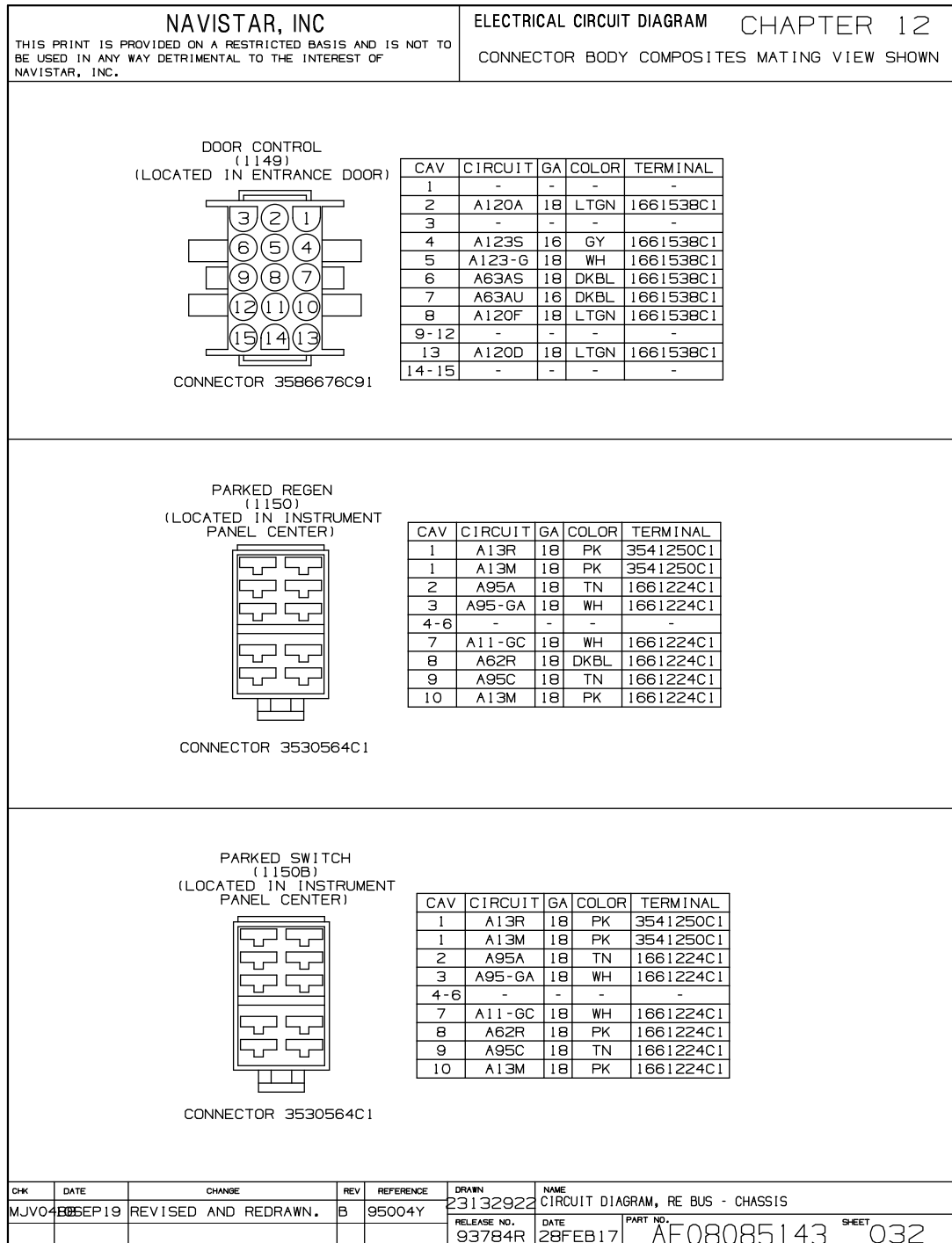


Figure 145 Connector Body Composites (1149, 1150, 1150B)

12.35. CONNECTOR BODY COMPOSITES (1151, 1151A, 1153, 1205), P. 33

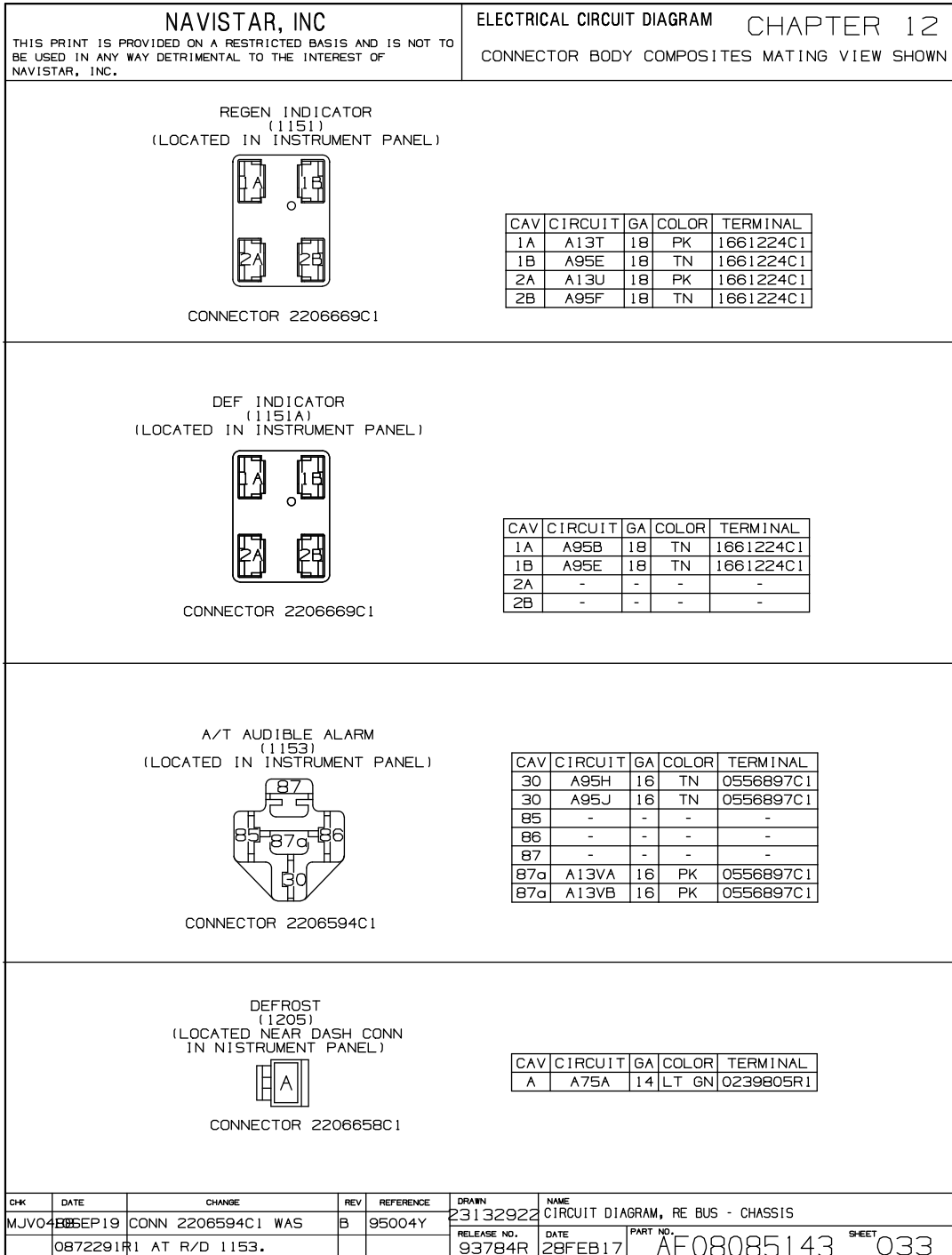


Figure 146 Connector Body Composites (1151, 1151A, 1153, 1205)

12.36. CONNECTOR BODY COMPOSITES (1206, 1272, 1600), P. 34

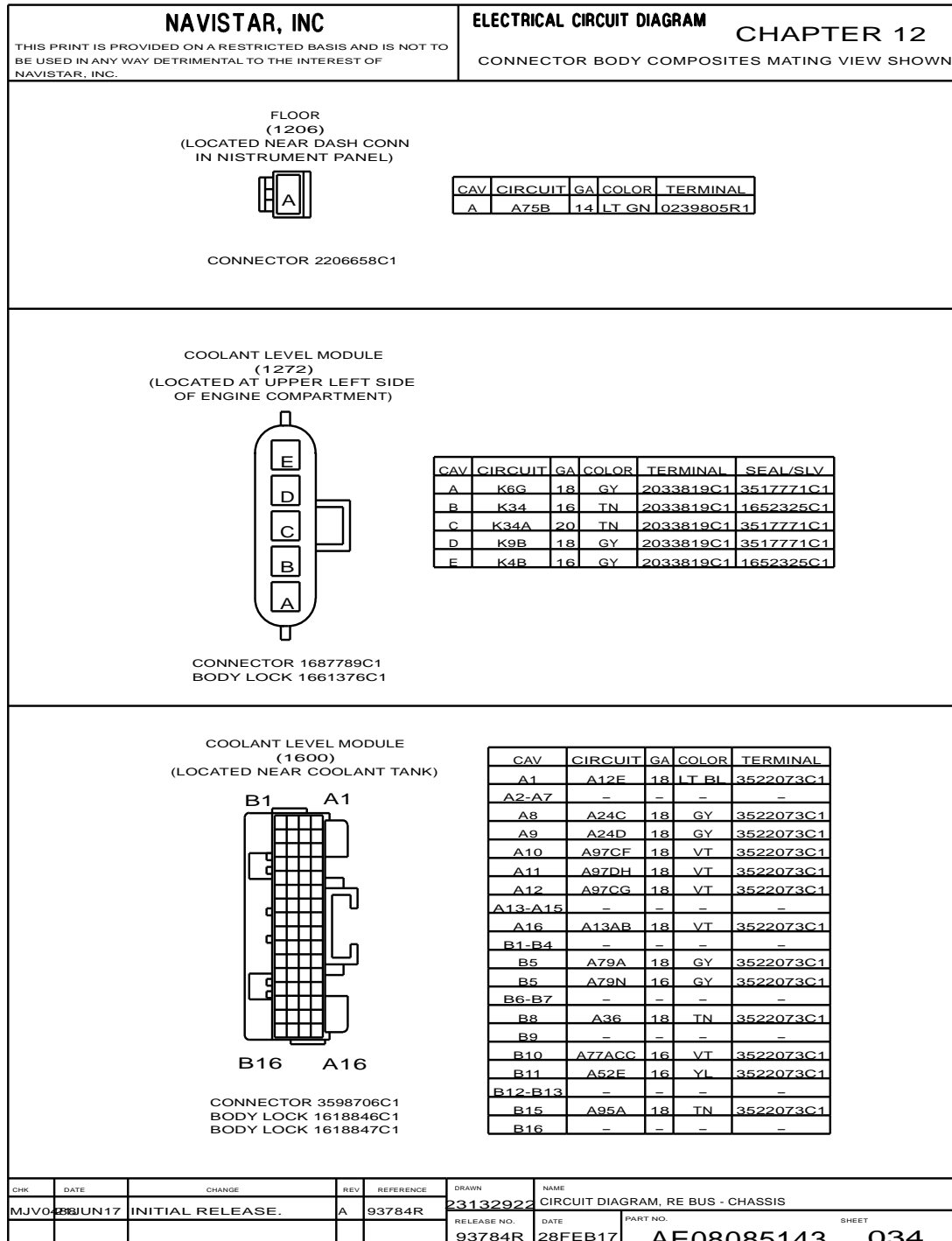


Figure 147 Connector Body Composites (1206, 1272, 1600)

12.37. CONNECTOR BODY COMPOSITES (1601, 1602), P. 35

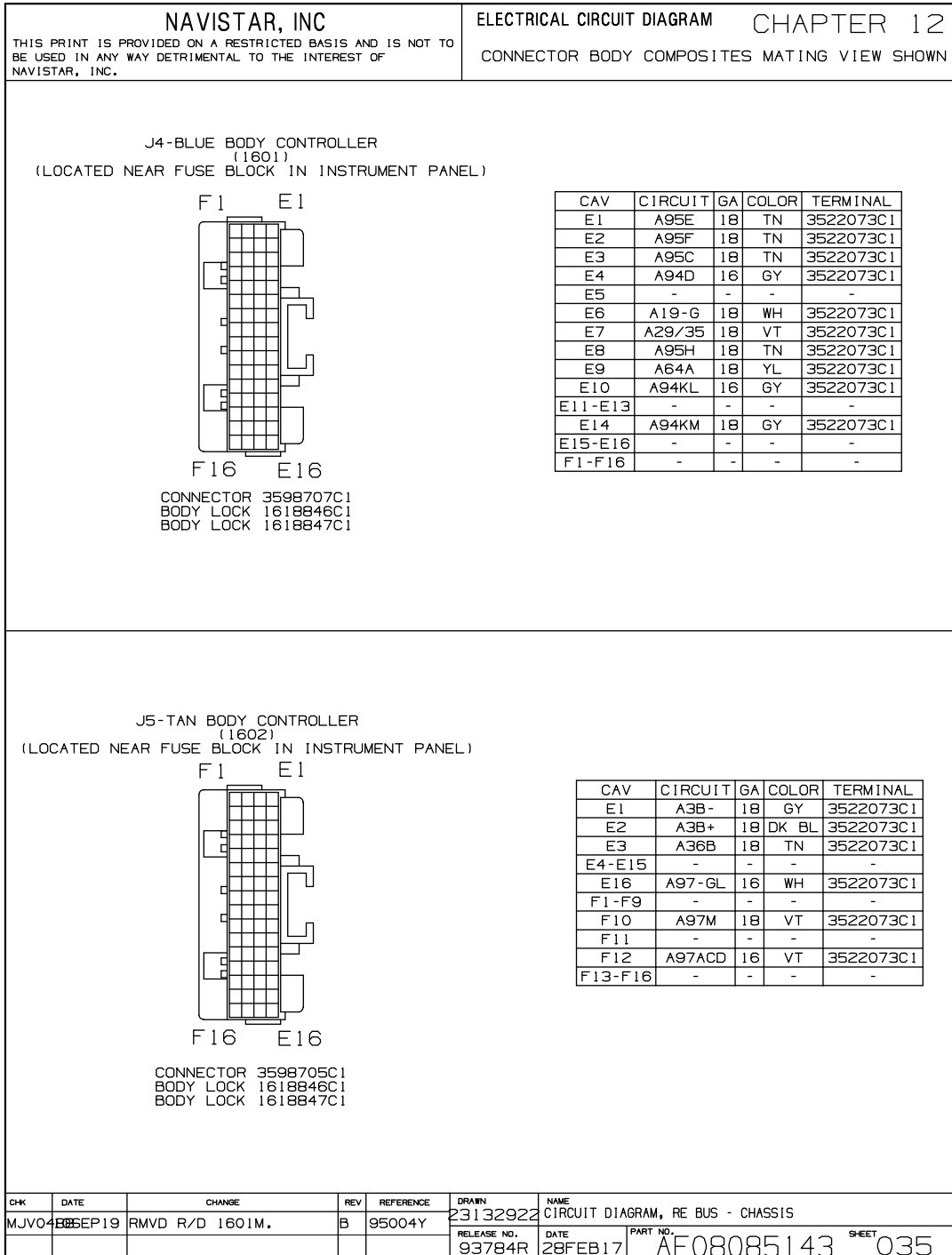


Figure 148 Connector Body Composites (1601, 1602)

12.38. CONNECTOR BODY COMPOSITES (1604, 1606, 1650), P. 36


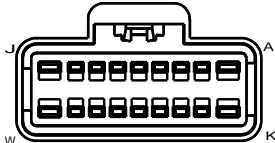
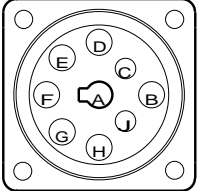
NAVISTAR, INC				ELECTRICAL CIRCUIT DIAGRAM				CHAPTER 12																																																
THIS PRINT IS PROVIDED ON A RESTRICTED BASIS AND IS NOT TO BE USED IN ANY WAY DETRIMENTAL TO THE INTEREST OF NAVISTAR, INC.								CONNECTOR BODY COMPOSITES MATING VIEW SHOWN																																																
<p>J2-10 WAY BODY CONTROLLER (1604) (LOCATED NEAR FUSE BLOCK IN INSTRUMENT PANEL)</p>																																																								
				<table border="1" style="width: 100%; border-collapse: collapse; font-size: x-small;"> <thead> <tr> <th>CAV</th> <th>CIRCUIT</th> <th>GA</th> <th>COLOR</th> <th>TERMINAL</th> </tr> </thead> <tbody> <tr> <td>A-D</td> <td>-</td> <td>-</td> <td>-</td> <td>-</td> </tr> <tr> <td>E</td> <td>A97-GK</td> <td>12</td> <td>WH</td> <td>3544877C1</td> </tr> <tr> <td>F-H</td> <td>-</td> <td>-</td> <td>-</td> <td>-</td> </tr> <tr> <td>J</td> <td>A53C</td> <td>14</td> <td>YL</td> <td>3544877C1</td> </tr> <tr> <td>K</td> <td>-</td> <td>-</td> <td>-</td> <td>-</td> </tr> </tbody> </table>								CAV	CIRCUIT	GA	COLOR	TERMINAL	A-D	-	-	-	-	E	A97-GK	12	WH	3544877C1	F-H	-	-	-	-	J	A53C	14	YL	3544877C1	K	-	-	-	-															
CAV	CIRCUIT	GA	COLOR	TERMINAL																																																				
A-D	-	-	-	-																																																				
E	A97-GK	12	WH	3544877C1																																																				
F-H	-	-	-	-																																																				
J	A53C	14	YL	3544877C1																																																				
K	-	-	-	-																																																				
CONNECTOR 3598710C1																																																								
<p>J6-18WAY BODY CONTROLLER (1606) (LOCATED NEAR FUSE BLOCK IN INSTRUMENT PANEL)</p>																																																								
				<table border="1" style="width: 100%; border-collapse: collapse; font-size: x-small;"> <thead> <tr> <th>CAV</th> <th>CIRCUIT</th> <th>GA</th> <th>COLOR</th> <th>TERMINAL</th> </tr> </thead> <tbody> <tr> <td>A-F</td> <td>-</td> <td>-</td> <td>-</td> <td>-</td> </tr> <tr> <td>G</td> <td>A5B-</td> <td>18</td> <td>GN</td> <td>3544884C1</td> </tr> <tr> <td>H</td> <td>A5B+</td> <td>18</td> <td>YL</td> <td>3544884C1</td> </tr> <tr> <td>J</td> <td>A36A</td> <td>18</td> <td>TN</td> <td>3544876C1</td> </tr> <tr> <td>K</td> <td>A97-G</td> <td>18</td> <td>WH</td> <td>3544876C1</td> </tr> <tr> <td>L</td> <td>A97N</td> <td>18</td> <td>VT</td> <td>3544884C1</td> </tr> <tr> <td>M-W</td> <td>-</td> <td>-</td> <td>-</td> <td>-</td> </tr> </tbody> </table>								CAV	CIRCUIT	GA	COLOR	TERMINAL	A-F	-	-	-	-	G	A5B-	18	GN	3544884C1	H	A5B+	18	YL	3544884C1	J	A36A	18	TN	3544876C1	K	A97-G	18	WH	3544876C1	L	A97N	18	VT	3544884C1	M-W	-	-	-	-					
CAV	CIRCUIT	GA	COLOR	TERMINAL																																																				
A-F	-	-	-	-																																																				
G	A5B-	18	GN	3544884C1																																																				
H	A5B+	18	YL	3544884C1																																																				
J	A36A	18	TN	3544876C1																																																				
K	A97-G	18	WH	3544876C1																																																				
L	A97N	18	VT	3544884C1																																																				
M-W	-	-	-	-																																																				
CONNECTOR 3759005C1 BODY LOCK 3573833C1																																																								
<p>GREEN DIAGNOSTIC CONNECTOR (1650) (LOCATED NEAR FUSE BLOCK IN INSTRUMENT PANEL)</p>																																																								
				<table border="1" style="width: 100%; border-collapse: collapse; font-size: x-small;"> <thead> <tr> <th>CAV</th> <th>CIRCUIT</th> <th>GA</th> <th>COLOR</th> <th>TERMINAL</th> </tr> </thead> <tbody> <tr> <td>A</td> <td>A98-G</td> <td>14</td> <td>WH</td> <td>2034788C1</td> </tr> <tr> <td>B</td> <td>A98</td> <td>14</td> <td>RD</td> <td>2034788C1</td> </tr> <tr> <td>C</td> <td>A5D+</td> <td>18</td> <td>YL</td> <td>1680206C1</td> </tr> <tr> <td>D</td> <td>A5D-</td> <td>18</td> <td>GN</td> <td>1680206C1</td> </tr> <tr> <td>E</td> <td>-</td> <td>-</td> <td>-</td> <td>-</td> </tr> <tr> <td>F</td> <td>A3A+</td> <td>14</td> <td>DKBL</td> <td>2034788C1</td> </tr> <tr> <td>G</td> <td>A3A-</td> <td>14</td> <td>GY</td> <td>2034788C1</td> </tr> <tr> <td>H-J</td> <td>-</td> <td>-</td> <td>-</td> <td>-</td> </tr> </tbody> </table>								CAV	CIRCUIT	GA	COLOR	TERMINAL	A	A98-G	14	WH	2034788C1	B	A98	14	RD	2034788C1	C	A5D+	18	YL	1680206C1	D	A5D-	18	GN	1680206C1	E	-	-	-	-	F	A3A+	14	DKBL	2034788C1	G	A3A-	14	GY	2034788C1	H-J	-	-	-	-
CAV	CIRCUIT	GA	COLOR	TERMINAL																																																				
A	A98-G	14	WH	2034788C1																																																				
B	A98	14	RD	2034788C1																																																				
C	A5D+	18	YL	1680206C1																																																				
D	A5D-	18	GN	1680206C1																																																				
E	-	-	-	-																																																				
F	A3A+	14	DKBL	2034788C1																																																				
G	A3A-	14	GY	2034788C1																																																				
H-J	-	-	-	-																																																				
CONNECTOR 3757649C1																																																								
CHK	DATE	CHANGE	REV	REFERENCE	DRAWN	NAME																																																		
MJVO	28 JUN 17	INITIAL RELEASE.	A	93784R	23132922	CIRCUIT DIAGRAM, RE BUS - CHASSIS																																																		
					RELEASE NO.	DATE	PART NO.	SHEET																																																
					93784R	28 FEB 17	AE08085143	036																																																

Figure 149 Connector Body Composites (1604, 1606, 1650)

12.39. CONNECTOR BODY COMPOSITES (1700), P. 36A

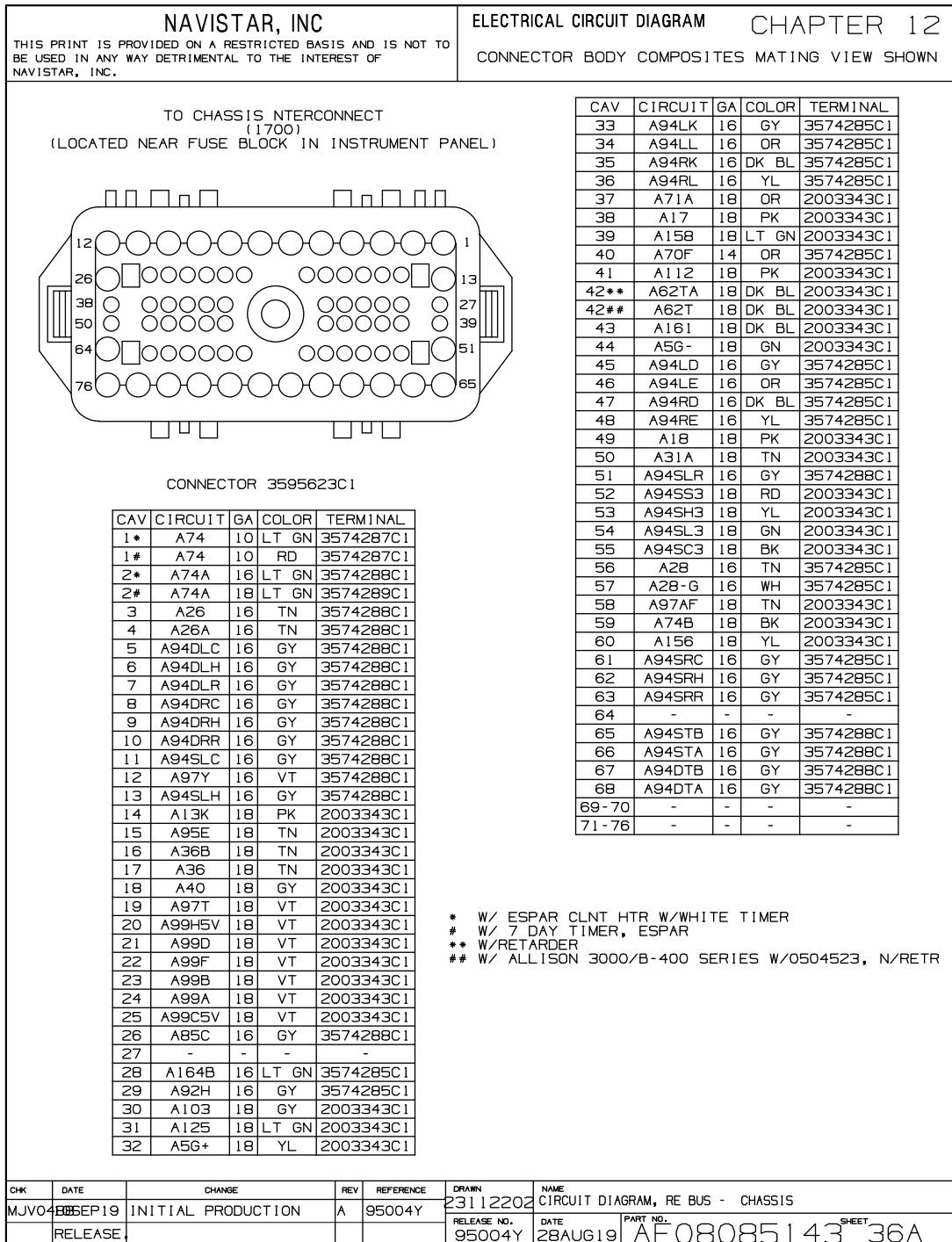


Figure 150 Connector Body Composites (1700)

12.40. CONNECTOR BODY COMPOSITES (1707M, 1800M, 1850, 1908, 1952, 2233), P. 37

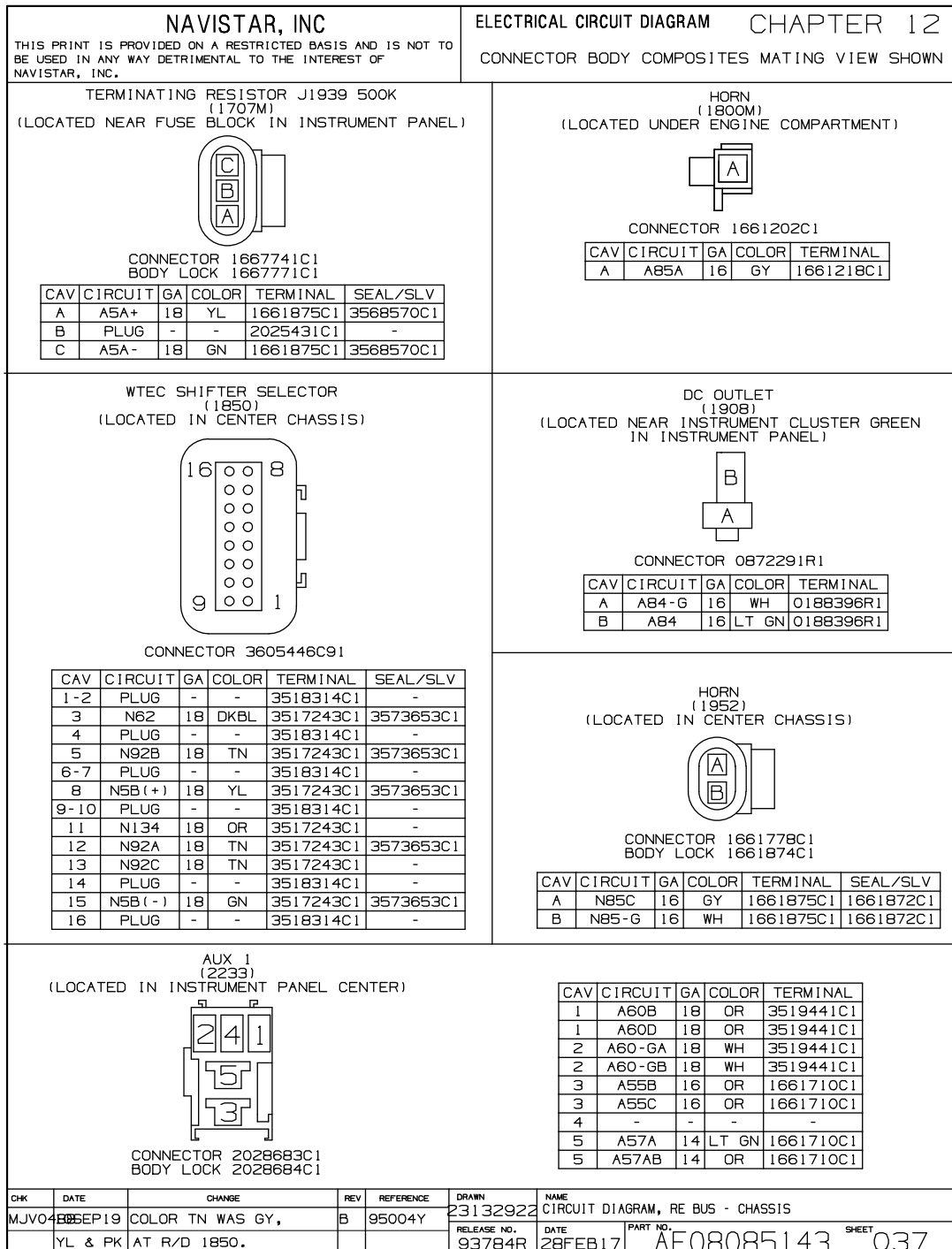


Figure 151 Connector Body Composites (1707M, 1800M, 1850, 1908, 1952, 2233)

12.41. CONNECTOR BODY COMPOSITES (3117, 3118, 3322), P. 38

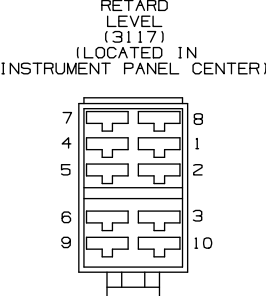
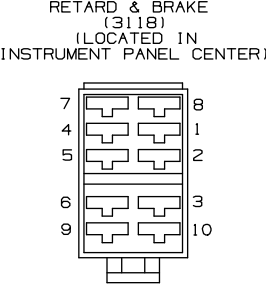
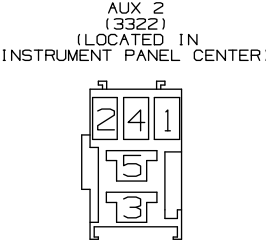
NAVISTAR, INC <small>THIS PRINT IS PROVIDED ON A RESTRICTED BASIS AND IS NOT TO BE USED IN ANY WAY DETRIMENTAL TO THE INTEREST OF NAVISTAR, INC.</small>				ELECTRICAL CIRCUIT DIAGRAM CHAPTER 12 CONNECTOR BODY COMPOSITES MATING VIEW SHOWN																																																																																																												
RETARD LEVEL (3117) (LOCATED IN INSTRUMENT PANEL CENTER)  CONNECTOR 3530563C1				<table border="1" style="width:100%; border-collapse: collapse;"> <thead> <tr> <th>CAV</th> <th>CIRCUIT</th> <th>GA</th> <th>COLOR</th> <th>TERMINAL</th> </tr> </thead> <tbody> <tr><td>1</td><td>A24X</td><td>18</td><td>GY</td><td>1661224C1</td></tr> <tr><td>2</td><td>A24W</td><td>18</td><td>GY</td><td>1661224C1</td></tr> <tr><td>3</td><td>A24C</td><td>18</td><td>GY</td><td>1661224C1</td></tr> <tr><td>4</td><td>A24E</td><td>18</td><td>GY</td><td>1661224C1</td></tr> <tr><td>5*</td><td>A24Y</td><td>18</td><td>GY</td><td>1661224C1</td></tr> <tr><td>5#</td><td>A24B</td><td>18</td><td>GY</td><td>1661224C1</td></tr> <tr><td>6#</td><td>A24E</td><td>18</td><td>GY</td><td>3541250C1</td></tr> <tr><td>6*</td><td>A24Z</td><td>18</td><td>GY</td><td>1661224C1</td></tr> <tr><td>6#</td><td>A24D</td><td>18</td><td>GY</td><td>3541250C1</td></tr> <tr><td>7</td><td>A92-GC</td><td>16</td><td>WH</td><td>1661226C1</td></tr> <tr><td>8</td><td>A62L</td><td>18</td><td>DK BL</td><td>1661224C1</td></tr> <tr><td>9-10</td><td>-</td><td>-</td><td>-</td><td>-</td></tr> </tbody> </table> <p style="font-size: small;">* W/ 3000 SERIES WITH RETARDER # W/ COMPRESSION BRAKE</p>				CAV	CIRCUIT	GA	COLOR	TERMINAL	1	A24X	18	GY	1661224C1	2	A24W	18	GY	1661224C1	3	A24C	18	GY	1661224C1	4	A24E	18	GY	1661224C1	5*	A24Y	18	GY	1661224C1	5#	A24B	18	GY	1661224C1	6#	A24E	18	GY	3541250C1	6*	A24Z	18	GY	1661224C1	6#	A24D	18	GY	3541250C1	7	A92-GC	16	WH	1661226C1	8	A62L	18	DK BL	1661224C1	9-10	-	-	-	-																																								
CAV	CIRCUIT	GA	COLOR	TERMINAL																																																																																																												
1	A24X	18	GY	1661224C1																																																																																																												
2	A24W	18	GY	1661224C1																																																																																																												
3	A24C	18	GY	1661224C1																																																																																																												
4	A24E	18	GY	1661224C1																																																																																																												
5*	A24Y	18	GY	1661224C1																																																																																																												
5#	A24B	18	GY	1661224C1																																																																																																												
6#	A24E	18	GY	3541250C1																																																																																																												
6*	A24Z	18	GY	1661224C1																																																																																																												
6#	A24D	18	GY	3541250C1																																																																																																												
7	A92-GC	16	WH	1661226C1																																																																																																												
8	A62L	18	DK BL	1661224C1																																																																																																												
9-10	-	-	-	-																																																																																																												
RETARD & BRAKE (3118) (LOCATED IN INSTRUMENT PANEL CENTER)  CONNECTOR 3530563C1				<table border="1" style="width:100%; border-collapse: collapse;"> <thead> <tr> <th>CAV</th> <th>CIRCUIT</th> <th>GA</th> <th>COLOR</th> <th>TERMINAL</th> </tr> </thead> <tbody> <tr><td>1</td><td>-</td><td>-</td><td>-</td><td>-</td></tr> <tr><td>2</td><td>A92L</td><td>18</td><td>GY</td><td>1661224C1</td></tr> <tr><td>2</td><td>A24-GA</td><td>18</td><td>WH</td><td>1661224C1</td></tr> <tr><td>2</td><td>A24-G</td><td>18</td><td>WH</td><td>1661224C1</td></tr> <tr><td>3</td><td>A24E</td><td>18</td><td>GY</td><td>3541250C1</td></tr> <tr><td>3</td><td>A24B</td><td>18</td><td>GY</td><td>3541250C1</td></tr> <tr><td>3</td><td>A24F</td><td>18</td><td>GY</td><td>3541250C1</td></tr> <tr><td>3</td><td>A24C</td><td>18</td><td>GY</td><td>3541250C1</td></tr> <tr><td>4</td><td>-</td><td>-</td><td>-</td><td>-</td></tr> <tr><td>5</td><td>A103</td><td>18</td><td>GY</td><td>1661224C1</td></tr> <tr><td>6</td><td>A161</td><td>18</td><td>DK BL</td><td>1661224C1</td></tr> <tr><td>7</td><td>A62W-G</td><td>18</td><td>WH</td><td>1661224C1</td></tr> <tr><td>7</td><td>A92-GB</td><td>16</td><td>WH</td><td>1661226C1</td></tr> <tr><td>8</td><td>A62W</td><td>18</td><td>DK BL</td><td>1661224C1</td></tr> <tr><td>8</td><td>A62K</td><td>18</td><td>DK BL</td><td>1661224C1</td></tr> <tr><td>9</td><td>A24D</td><td>18</td><td>GY</td><td>3541250C1</td></tr> <tr><td>9</td><td>A24E</td><td>18</td><td>GY</td><td>3541250C1</td></tr> <tr><td>9</td><td>A24F</td><td>18</td><td>GY</td><td>1661224C1</td></tr> <tr><td>10</td><td>A24F</td><td>18</td><td>GY</td><td>1661224C1</td></tr> <tr><td>10</td><td>A24G</td><td>18</td><td>GY</td><td>1661224C1</td></tr> </tbody> </table>				CAV	CIRCUIT	GA	COLOR	TERMINAL	1	-	-	-	-	2	A92L	18	GY	1661224C1	2	A24-GA	18	WH	1661224C1	2	A24-G	18	WH	1661224C1	3	A24E	18	GY	3541250C1	3	A24B	18	GY	3541250C1	3	A24F	18	GY	3541250C1	3	A24C	18	GY	3541250C1	4	-	-	-	-	5	A103	18	GY	1661224C1	6	A161	18	DK BL	1661224C1	7	A62W-G	18	WH	1661224C1	7	A92-GB	16	WH	1661226C1	8	A62W	18	DK BL	1661224C1	8	A62K	18	DK BL	1661224C1	9	A24D	18	GY	3541250C1	9	A24E	18	GY	3541250C1	9	A24F	18	GY	1661224C1	10	A24F	18	GY	1661224C1	10	A24G	18	GY	1661224C1
CAV	CIRCUIT	GA	COLOR	TERMINAL																																																																																																												
1	-	-	-	-																																																																																																												
2	A92L	18	GY	1661224C1																																																																																																												
2	A24-GA	18	WH	1661224C1																																																																																																												
2	A24-G	18	WH	1661224C1																																																																																																												
3	A24E	18	GY	3541250C1																																																																																																												
3	A24B	18	GY	3541250C1																																																																																																												
3	A24F	18	GY	3541250C1																																																																																																												
3	A24C	18	GY	3541250C1																																																																																																												
4	-	-	-	-																																																																																																												
5	A103	18	GY	1661224C1																																																																																																												
6	A161	18	DK BL	1661224C1																																																																																																												
7	A62W-G	18	WH	1661224C1																																																																																																												
7	A92-GB	16	WH	1661226C1																																																																																																												
8	A62W	18	DK BL	1661224C1																																																																																																												
8	A62K	18	DK BL	1661224C1																																																																																																												
9	A24D	18	GY	3541250C1																																																																																																												
9	A24E	18	GY	3541250C1																																																																																																												
9	A24F	18	GY	1661224C1																																																																																																												
10	A24F	18	GY	1661224C1																																																																																																												
10	A24G	18	GY	1661224C1																																																																																																												
AUX 2 (3322) (LOCATED IN INSTRUMENT PANEL CENTER)  CONNECTOR 2028683C1 BODY LOCK 2028684C1				<table border="1" style="width:100%; border-collapse: collapse;"> <thead> <tr> <th>CAV</th> <th>CIRCUIT</th> <th>GA</th> <th>COLOR</th> <th>TERMINAL</th> </tr> </thead> <tbody> <tr><td>1</td><td>A60B</td><td>18</td><td>OR</td><td>3519441C1</td></tr> <tr><td>1</td><td>A60C</td><td>18</td><td>OR</td><td>3519441C1</td></tr> <tr><td>2</td><td>A60-GB</td><td>18</td><td>WH</td><td>3519441C1</td></tr> <tr><td>2</td><td>A60-GC</td><td>18</td><td>WH</td><td>3519441C1</td></tr> <tr><td>3</td><td>A55B</td><td>16</td><td>OR</td><td>1661710C1</td></tr> <tr><td>3</td><td>A55D</td><td>16</td><td>OR</td><td>1661710C1</td></tr> <tr><td>4</td><td>-</td><td>-</td><td>-</td><td>-</td></tr> <tr><td>5</td><td>A56A</td><td>16</td><td>YL</td><td>1661710C1</td></tr> <tr><td>5</td><td>A56AB</td><td>16</td><td>OR</td><td>1661710C1</td></tr> </tbody> </table>				CAV	CIRCUIT	GA	COLOR	TERMINAL	1	A60B	18	OR	3519441C1	1	A60C	18	OR	3519441C1	2	A60-GB	18	WH	3519441C1	2	A60-GC	18	WH	3519441C1	3	A55B	16	OR	1661710C1	3	A55D	16	OR	1661710C1	4	-	-	-	-	5	A56A	16	YL	1661710C1	5	A56AB	16	OR	1661710C1																																																							
CAV	CIRCUIT	GA	COLOR	TERMINAL																																																																																																												
1	A60B	18	OR	3519441C1																																																																																																												
1	A60C	18	OR	3519441C1																																																																																																												
2	A60-GB	18	WH	3519441C1																																																																																																												
2	A60-GC	18	WH	3519441C1																																																																																																												
3	A55B	16	OR	1661710C1																																																																																																												
3	A55D	16	OR	1661710C1																																																																																																												
4	-	-	-	-																																																																																																												
5	A56A	16	YL	1661710C1																																																																																																												
5	A56AB	16	OR	1661710C1																																																																																																												
CHK	DATE	CHANGE	REV	REFERENCE	DRAWN	NAME																																																																																																										
MJVO	08SEP19	REVISED AND REDRAWN.	B	95004Y	23132922	CIRCUIT DIAGRAM, RE BUS - CHASSIS																																																																																																										
					RELEASE NO.	DATE	PART NO.																																																																																																									
					93784R	28FEB17	AE08085143																																																																																																									
						SHEET	038																																																																																																									

Figure 152 Connector Body Composites (3117, 3118, 3322)

12.42. CONNECTOR BODY COMPOSITES (3344, 4009, 4433), P. 39

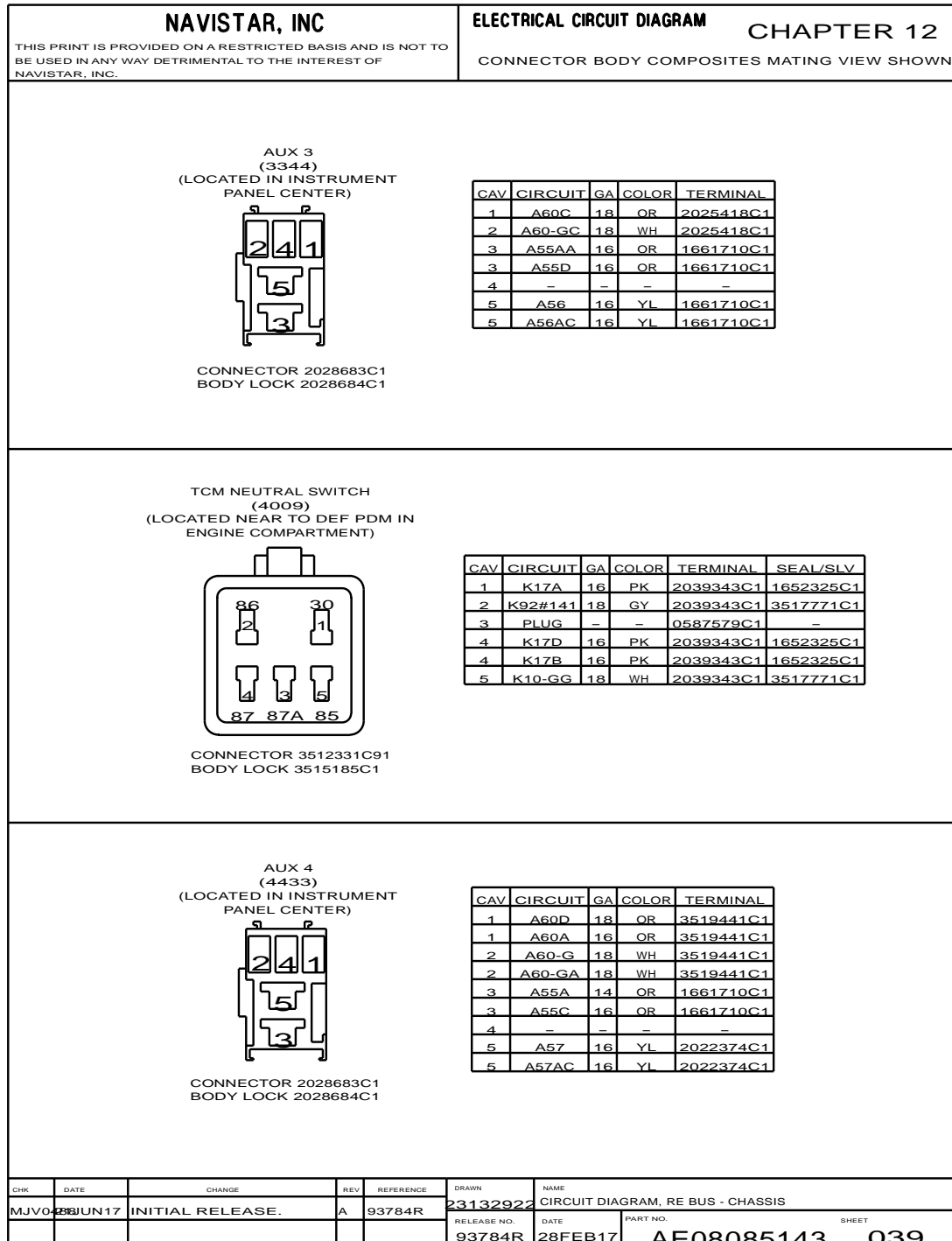


Figure 153 Connector Body Composites (3344, 4009, 4433)

12.43. CONNECTOR BODY COMPOSITES (4800, 5263C, 5263F, 5263M, 5556M), P. 40

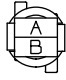
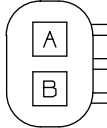
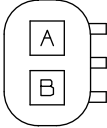
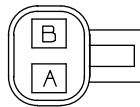
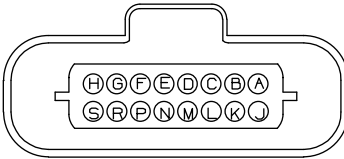
NAVISTAR, INC <small>THIS PRINT IS PROVIDED ON A RESTRICTED BASIS AND IS NOT TO BE USED IN ANY WAY DETRIMENTAL TO THE INTEREST OF NAVISTAR, INC.</small>				ELECTRICAL CIRCUIT DIAGRAM CHAPTER 12 CONNECTOR BODY COMPOSITES MATING VIEW SHOWN																																																																																																			
ATC (4800) (LOCATED NEAR INSTR CLUSTER NATURAL IN INSTRUMENT PANEL)  CONNECTOR 2001688C1				FULL TIME LIGHTS POWER CAP (5263C) (LOCATED NEAR FUSE BLOCK IN INSTRUMENT PANEL)  CONNECTOR 1671611C1 BODY LOCK 1671608C1																																																																																																			
<table border="1" style="width:100%; border-collapse: collapse;"> <thead> <tr> <th>CAV</th> <th>CIRCUIT</th> <th>GA</th> <th>COLOR</th> <th>TERMINAL</th> </tr> </thead> <tbody> <tr> <td>A</td> <td>A94KH</td> <td>18</td> <td>GY</td> <td>2001704C1</td> </tr> <tr> <td>A</td> <td>A94-GB</td> <td>18</td> <td>WH</td> <td>2001704C1</td> </tr> <tr> <td>B</td> <td>A94KL</td> <td>16</td> <td>GY</td> <td>2001704C1</td> </tr> </tbody> </table>				CAV	CIRCUIT	GA	COLOR	TERMINAL	A	A94KH	18	GY	2001704C1	A	A94-GB	18	WH	2001704C1	B	A94KL	16	GY	2001704C1	<table border="1" style="width:100%; border-collapse: collapse;"> <thead> <tr> <th>CAV</th> <th>CIRCUIT</th> <th>GA</th> <th>COLOR</th> <th>TERMINAL</th> <th>SEAL/SLV</th> </tr> </thead> <tbody> <tr> <td>A</td> <td>JUMPER</td> <td>16</td> <td>PK</td> <td>2033911C1</td> <td>1652325C1</td> </tr> <tr> <td>B</td> <td>JUMPER</td> <td>16</td> <td>PK</td> <td>2033911C1</td> <td>1652325C1</td> </tr> </tbody> </table>				CAV	CIRCUIT	GA	COLOR	TERMINAL	SEAL/SLV	A	JUMPER	16	PK	2033911C1	1652325C1	B	JUMPER	16	PK	2033911C1	1652325C1																																																										
CAV	CIRCUIT	GA	COLOR	TERMINAL																																																																																																			
A	A94KH	18	GY	2001704C1																																																																																																			
A	A94-GB	18	WH	2001704C1																																																																																																			
B	A94KL	16	GY	2001704C1																																																																																																			
CAV	CIRCUIT	GA	COLOR	TERMINAL	SEAL/SLV																																																																																																		
A	JUMPER	16	PK	2033911C1	1652325C1																																																																																																		
B	JUMPER	16	PK	2033911C1	1652325C1																																																																																																		
FULL TIME LIGHTS POWER (5263F) (LOCATED NEAR FUSE BLOCK IN INSTRUMENT PANEL)  CONNECTOR 1671611C1 BODY LOCK 1671608C1				FULL TIME LIGHTS POWER 5263M (LOCATED NEAR FUSE BLOCK IN INSTRUMENT PANEL)  CONNECTOR 1671610C1 BODY LOCK 1671608C1																																																																																																			
<table border="1" style="width:100%; border-collapse: collapse;"> <thead> <tr> <th>CAV</th> <th>CIRCUIT</th> <th>GA</th> <th>COLOR</th> <th>TERMINAL</th> <th>SEAL/SLV</th> </tr> </thead> <tbody> <tr> <td>A</td> <td>A66L</td> <td>14</td> <td>YL</td> <td>2033912C1</td> <td>0589391C1</td> </tr> <tr> <td>B</td> <td>A66M</td> <td>14</td> <td>YL</td> <td>2033912C1</td> <td>0589391C1</td> </tr> </tbody> </table>				CAV	CIRCUIT	GA	COLOR	TERMINAL	SEAL/SLV	A	A66L	14	YL	2033912C1	0589391C1	B	A66M	14	YL	2033912C1	0589391C1	<table border="1" style="width:100%; border-collapse: collapse;"> <thead> <tr> <th>CAV</th> <th>CIRCUIT</th> <th>GA</th> <th>COLOR</th> <th>TERMINAL</th> <th>SEAL/SLV</th> </tr> </thead> <tbody> <tr> <td>A</td> <td>A13AB</td> <td>14</td> <td>PK</td> <td>2033816C1</td> <td>0589391C1</td> </tr> <tr> <td>B</td> <td>A13AC</td> <td>16</td> <td>PK</td> <td>2033819C1</td> <td>1652325C1</td> </tr> </tbody> </table>				CAV	CIRCUIT	GA	COLOR	TERMINAL	SEAL/SLV	A	A13AB	14	PK	2033816C1	0589391C1	B	A13AC	16	PK	2033819C1	1652325C1																																																												
CAV	CIRCUIT	GA	COLOR	TERMINAL	SEAL/SLV																																																																																																		
A	A66L	14	YL	2033912C1	0589391C1																																																																																																		
B	A66M	14	YL	2033912C1	0589391C1																																																																																																		
CAV	CIRCUIT	GA	COLOR	TERMINAL	SEAL/SLV																																																																																																		
A	A13AB	14	PK	2033816C1	0589391C1																																																																																																		
B	A13AC	16	PK	2033819C1	1652325C1																																																																																																		
POWER DISTRIBUTION MODULE #1 (5556M) (LOCATED AT ENGINE COMPARTMENT)  CONNECTOR 3580539C1 BODY LOCK 3757411C1 BODY LOCK 3573833C1				<table border="1" style="width:100%; border-collapse: collapse;"> <thead> <tr> <th>CAV</th> <th>CIRCUIT</th> <th>GA</th> <th>COLOR</th> <th>TERMINAL</th> <th>SEAL/SLV</th> </tr> </thead> <tbody> <tr> <td>A-C</td> <td>PLUG</td> <td>-</td> <td>-</td> <td>3535430C1</td> <td>-</td> </tr> <tr> <td>D</td> <td>K11-GH</td> <td>16</td> <td>WH</td> <td>3534162C1</td> <td>3535428C1</td> </tr> <tr> <td>E</td> <td>K18T</td> <td>18</td> <td>PK</td> <td>3534162C1</td> <td>3535427C1</td> </tr> <tr> <td>E</td> <td>K17F</td> <td>18</td> <td>PK</td> <td>3534162C1</td> <td>3535427C1</td> </tr> <tr> <td>F</td> <td>K11-GJ</td> <td>16</td> <td>WH</td> <td>3534162C1</td> <td>3535428C1</td> </tr> <tr> <td>G</td> <td>K11B</td> <td>16</td> <td>PK</td> <td>3534162C1</td> <td>3535427C1</td> </tr> <tr> <td>H</td> <td>K97F</td> <td>14</td> <td>VT</td> <td>3534163C1</td> <td>3535428C1</td> </tr> <tr> <td>J</td> <td>K70C</td> <td>18</td> <td>OR</td> <td>3534162C1</td> <td>3535427C1</td> </tr> <tr> <td>K</td> <td>K18F</td> <td>12</td> <td>GY</td> <td>3534163C1</td> <td>3535428C1</td> </tr> <tr> <td>L-M</td> <td>PLUG</td> <td>-</td> <td>-</td> <td>3535430C1</td> <td>-</td> </tr> <tr> <td>N</td> <td>K26</td> <td>16</td> <td>GY</td> <td>3534162C1</td> <td>3535428C1</td> </tr> <tr> <td>N</td> <td>K39</td> <td>16</td> <td>GY</td> <td>3534162C1</td> <td>3535428C1</td> </tr> <tr> <td>P</td> <td>K39A</td> <td>16</td> <td>GY</td> <td>3534162C1</td> <td>3535427C1</td> </tr> <tr> <td>R</td> <td>PLUG</td> <td>-</td> <td>-</td> <td>3535430C1</td> <td>-</td> </tr> <tr> <td>S</td> <td>K17A</td> <td>16</td> <td>PK</td> <td>3534162C1</td> <td>3535427C1</td> </tr> </tbody> </table>				CAV	CIRCUIT	GA	COLOR	TERMINAL	SEAL/SLV	A-C	PLUG	-	-	3535430C1	-	D	K11-GH	16	WH	3534162C1	3535428C1	E	K18T	18	PK	3534162C1	3535427C1	E	K17F	18	PK	3534162C1	3535427C1	F	K11-GJ	16	WH	3534162C1	3535428C1	G	K11B	16	PK	3534162C1	3535427C1	H	K97F	14	VT	3534163C1	3535428C1	J	K70C	18	OR	3534162C1	3535427C1	K	K18F	12	GY	3534163C1	3535428C1	L-M	PLUG	-	-	3535430C1	-	N	K26	16	GY	3534162C1	3535428C1	N	K39	16	GY	3534162C1	3535428C1	P	K39A	16	GY	3534162C1	3535427C1	R	PLUG	-	-	3535430C1	-	S	K17A	16	PK	3534162C1	3535427C1
CAV	CIRCUIT	GA	COLOR	TERMINAL	SEAL/SLV																																																																																																		
A-C	PLUG	-	-	3535430C1	-																																																																																																		
D	K11-GH	16	WH	3534162C1	3535428C1																																																																																																		
E	K18T	18	PK	3534162C1	3535427C1																																																																																																		
E	K17F	18	PK	3534162C1	3535427C1																																																																																																		
F	K11-GJ	16	WH	3534162C1	3535428C1																																																																																																		
G	K11B	16	PK	3534162C1	3535427C1																																																																																																		
H	K97F	14	VT	3534163C1	3535428C1																																																																																																		
J	K70C	18	OR	3534162C1	3535427C1																																																																																																		
K	K18F	12	GY	3534163C1	3535428C1																																																																																																		
L-M	PLUG	-	-	3535430C1	-																																																																																																		
N	K26	16	GY	3534162C1	3535428C1																																																																																																		
N	K39	16	GY	3534162C1	3535428C1																																																																																																		
P	K39A	16	GY	3534162C1	3535427C1																																																																																																		
R	PLUG	-	-	3535430C1	-																																																																																																		
S	K17A	16	PK	3534162C1	3535427C1																																																																																																		
<table border="1" style="width:100%; border-collapse: collapse;"> <thead> <tr> <th>CHK</th> <th>DATE</th> <th>CHANGE</th> <th>REV</th> <th>REFERENCE</th> <th>DRAWN</th> <th>NAME</th> </tr> </thead> <tbody> <tr> <td>MJV04</td> <td>23SEP19</td> <td>REVISED AND REDRAWN.</td> <td>B</td> <td>95004Y</td> <td>23132922</td> <td>CIRCUIT DIAGRAM, RE BUS - CHASSIS</td> </tr> </tbody> </table>				CHK	DATE	CHANGE	REV	REFERENCE	DRAWN	NAME	MJV04	23SEP19	REVISED AND REDRAWN.	B	95004Y	23132922	CIRCUIT DIAGRAM, RE BUS - CHASSIS	<table border="1" style="width:100%; border-collapse: collapse;"> <thead> <tr> <th>RELEASE NO.</th> <th>DATE</th> <th>PART NO.</th> <th>SHEET</th> </tr> </thead> <tbody> <tr> <td>93784R</td> <td>28FEB17</td> <td>AE08085143</td> <td>040</td> </tr> </tbody> </table>				RELEASE NO.	DATE	PART NO.	SHEET	93784R	28FEB17	AE08085143	040																																																																										
CHK	DATE	CHANGE	REV	REFERENCE	DRAWN	NAME																																																																																																	
MJV04	23SEP19	REVISED AND REDRAWN.	B	95004Y	23132922	CIRCUIT DIAGRAM, RE BUS - CHASSIS																																																																																																	
RELEASE NO.	DATE	PART NO.	SHEET																																																																																																				
93784R	28FEB17	AE08085143	040																																																																																																				

Figure 154 Connector Body Composites (4800, 5263C, 5263F, 5263M, 5556M)

12.44. CONNECTOR BODY COMPOSITES (6000), P. 41

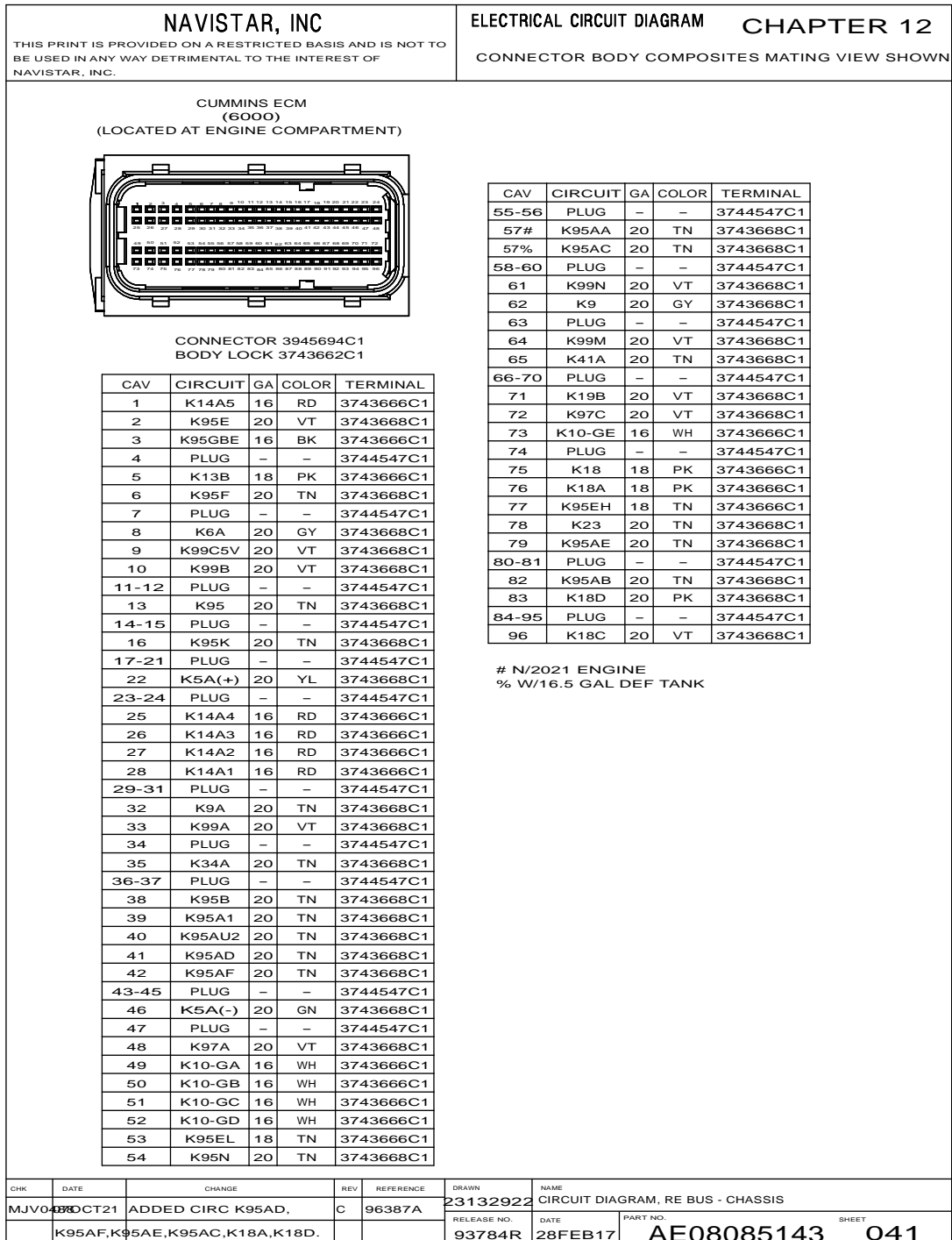


Figure 155 Connector Body Composites (6000)

12.45. CONNECTOR BODY COMPOSITES (6010, 6012, 6120, 6200), P. 42

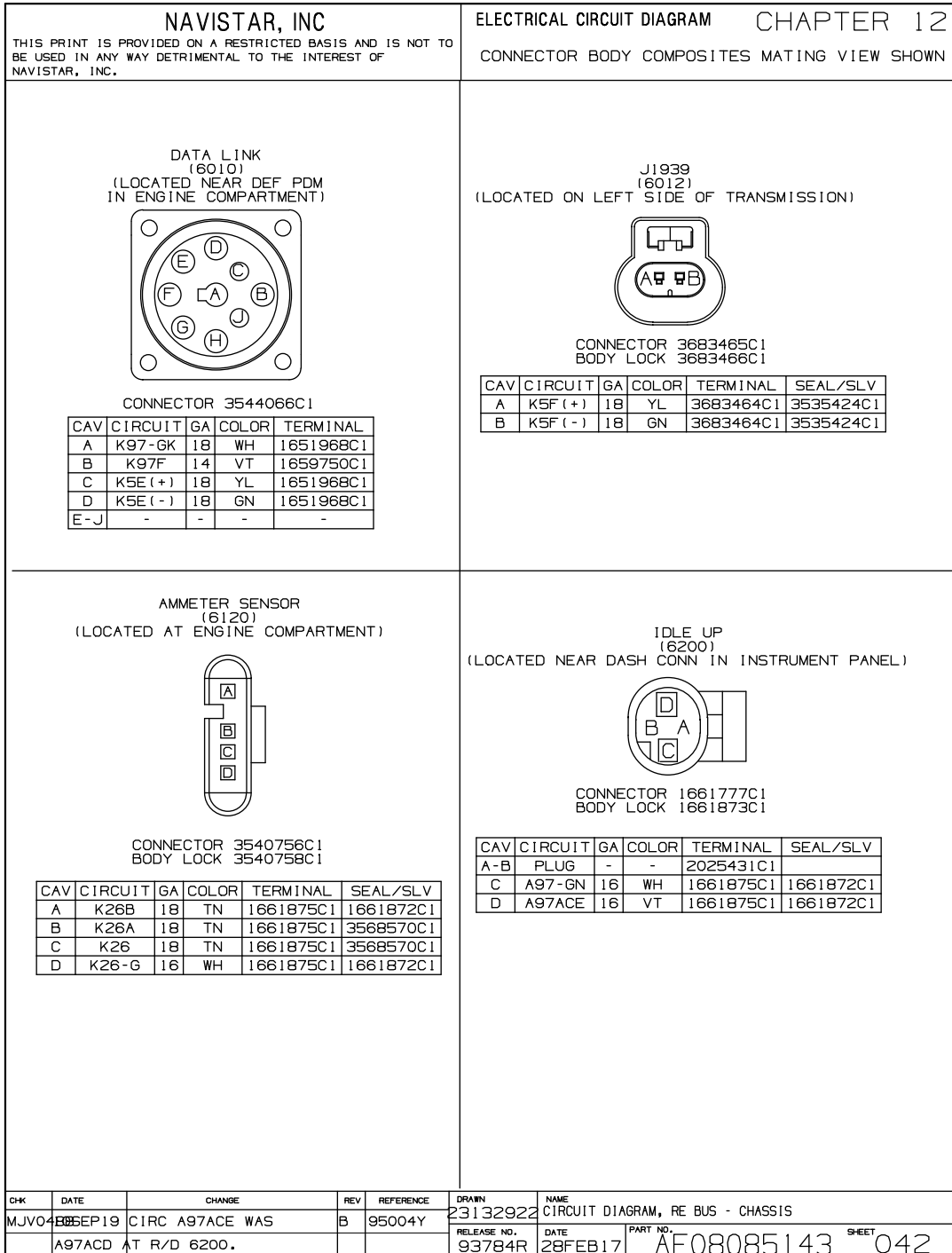


Figure 156 Connector Body Composites (6010, 6012, 6120, 6200)

12.46. CONNECTOR BODY COMPOSITES (6308, 6316M, 6348F, 6348M), P. 43

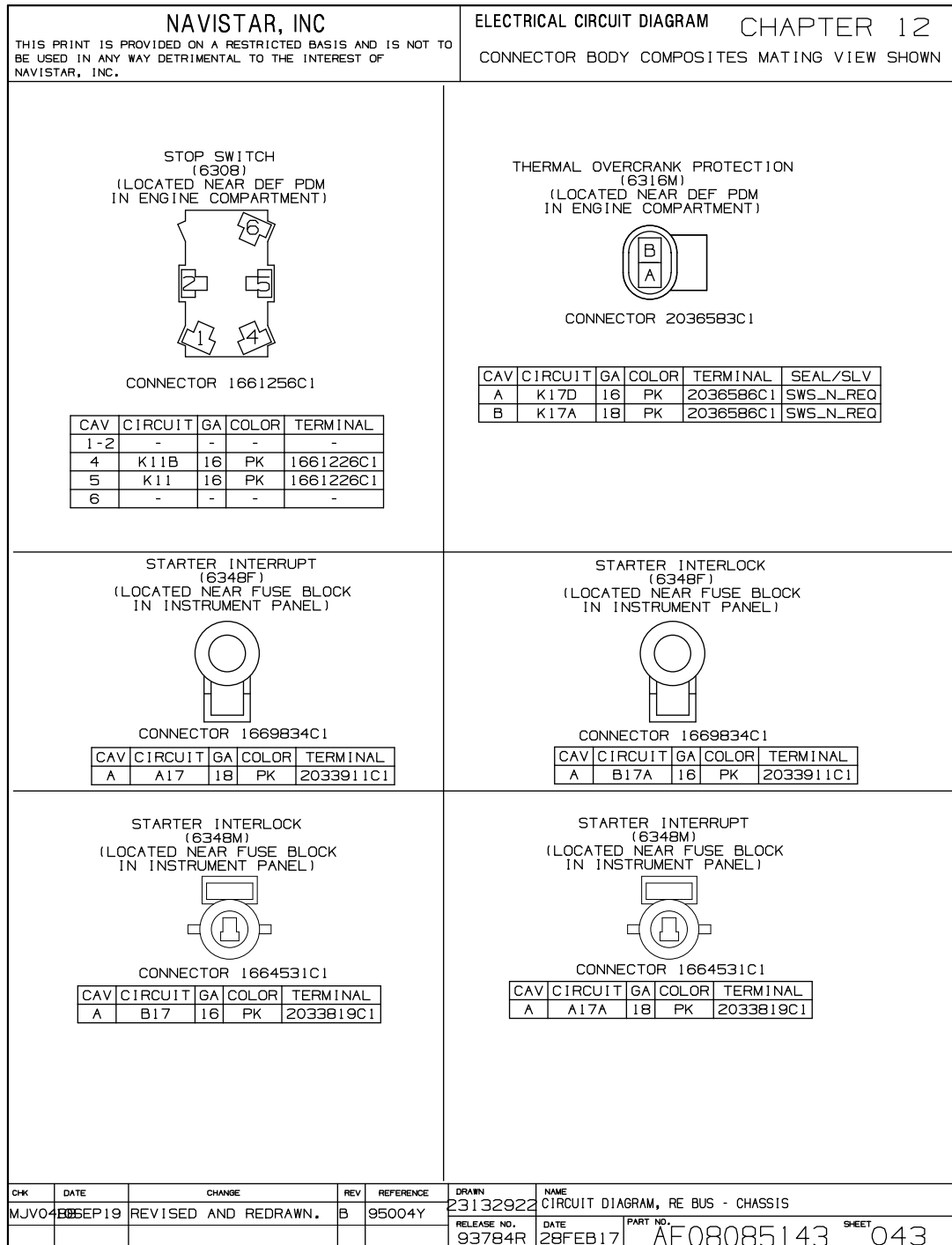


Figure 157 Connector Body Composites (6308, 6316M, 6348F, 6348M)

12.47. CONNECTOR BODY COMPOSITES (6400, 6402, 6500, 6665M, 6704), P. 44

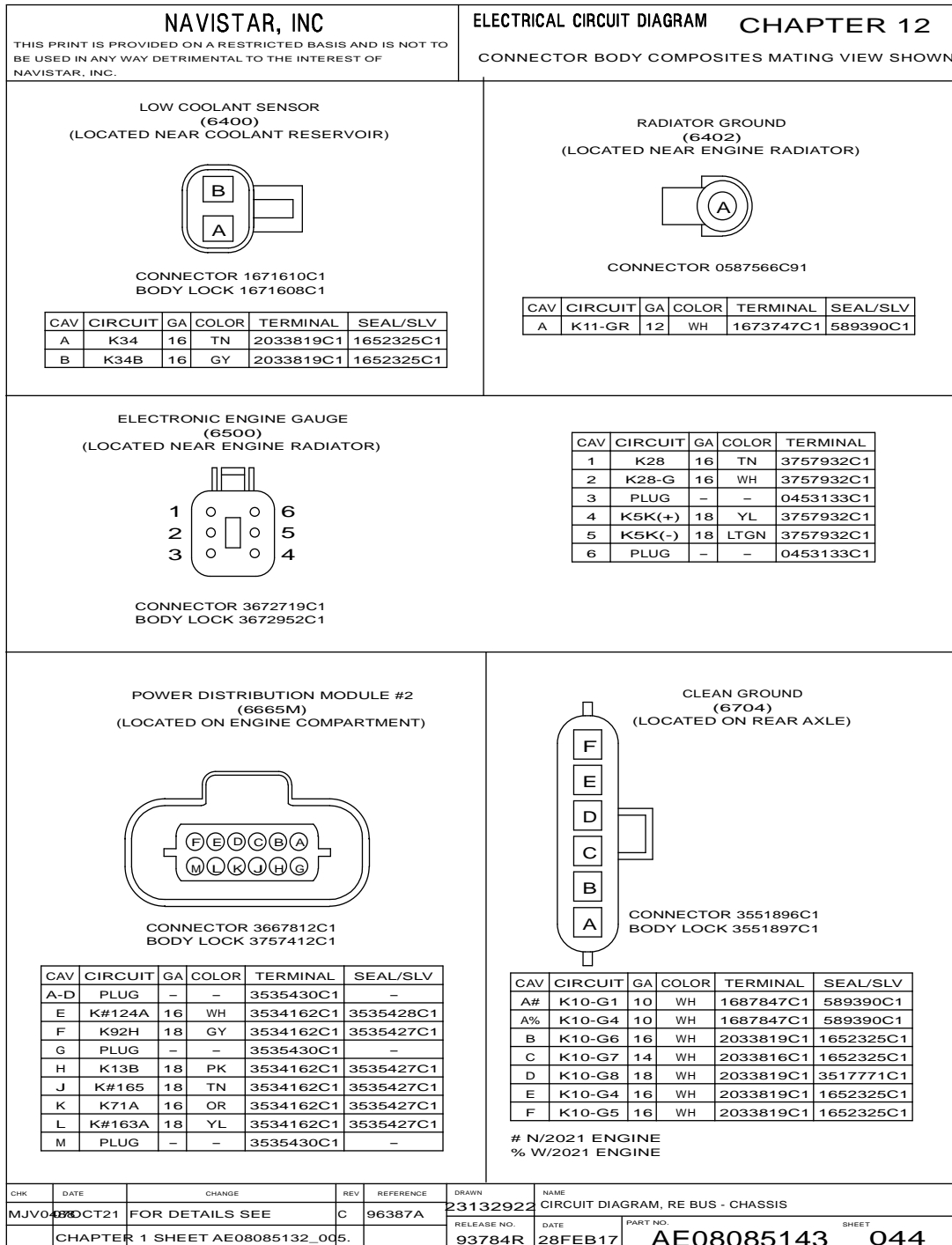


Figure 158 Connector Body Composites (6400, 6402, 6500, 6665M, 6704)

12.48. CONNECTOR BODY COMPOSITES (6741, 6747, 7010), P. 45

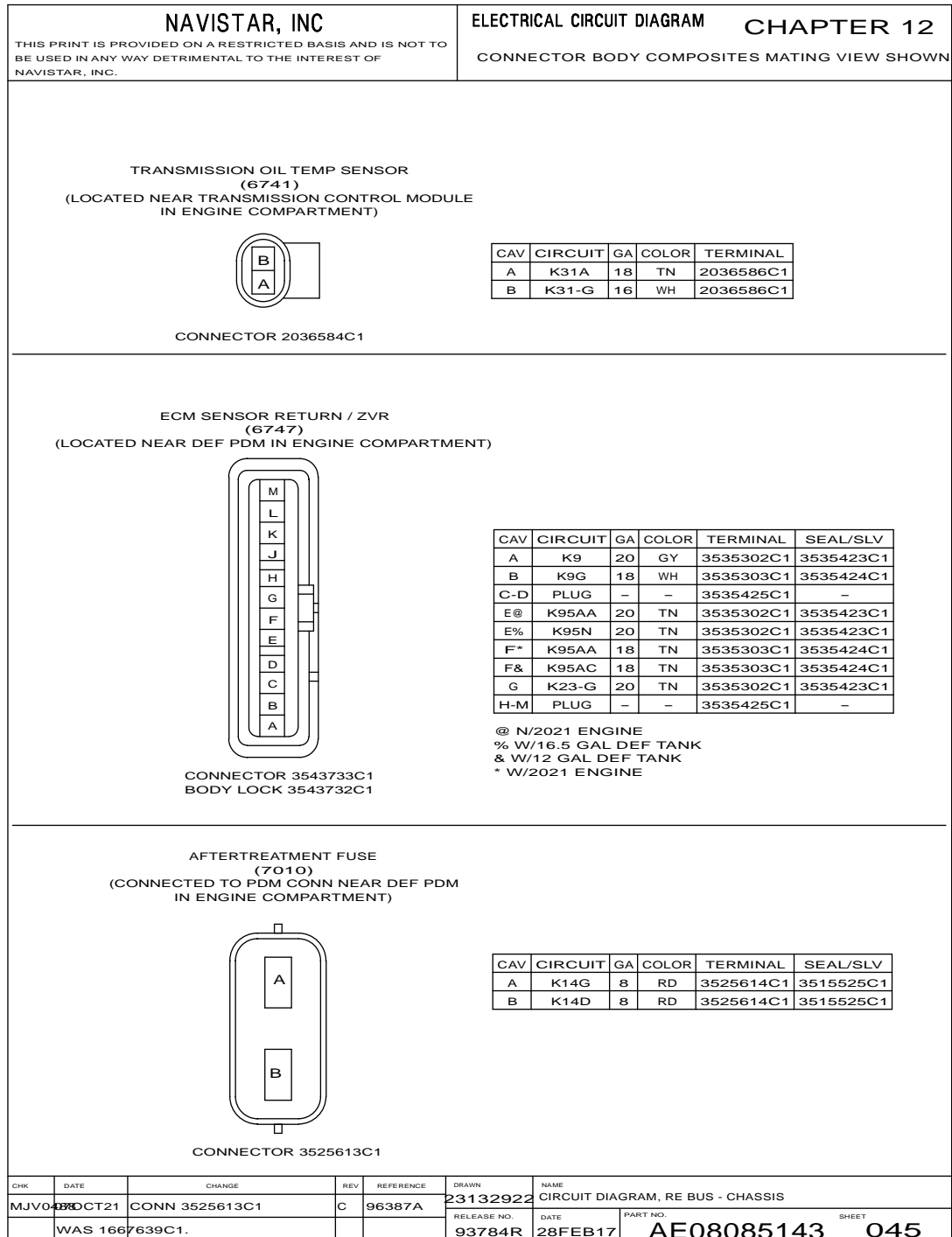


Figure 159 Connector Body Composites (6741, 6747, 7010)

12.49. CONNECTOR BODY COMPOSITES (7150), P. 46

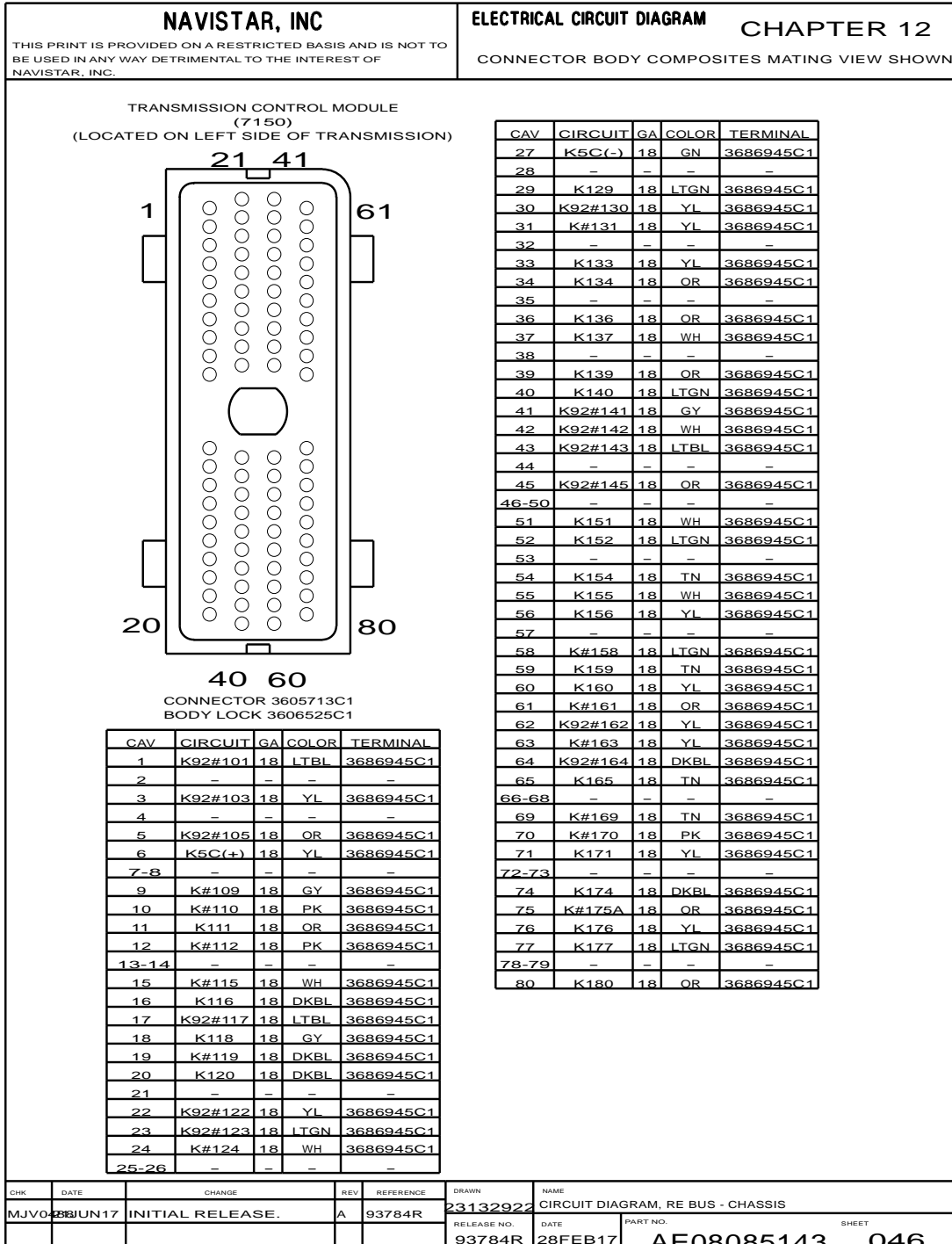


Figure 160 Connector Body Composites (7150)

12.50. CONNECTOR BODY COMPOSITES (7205F, 7206F, 7207F), P. 47

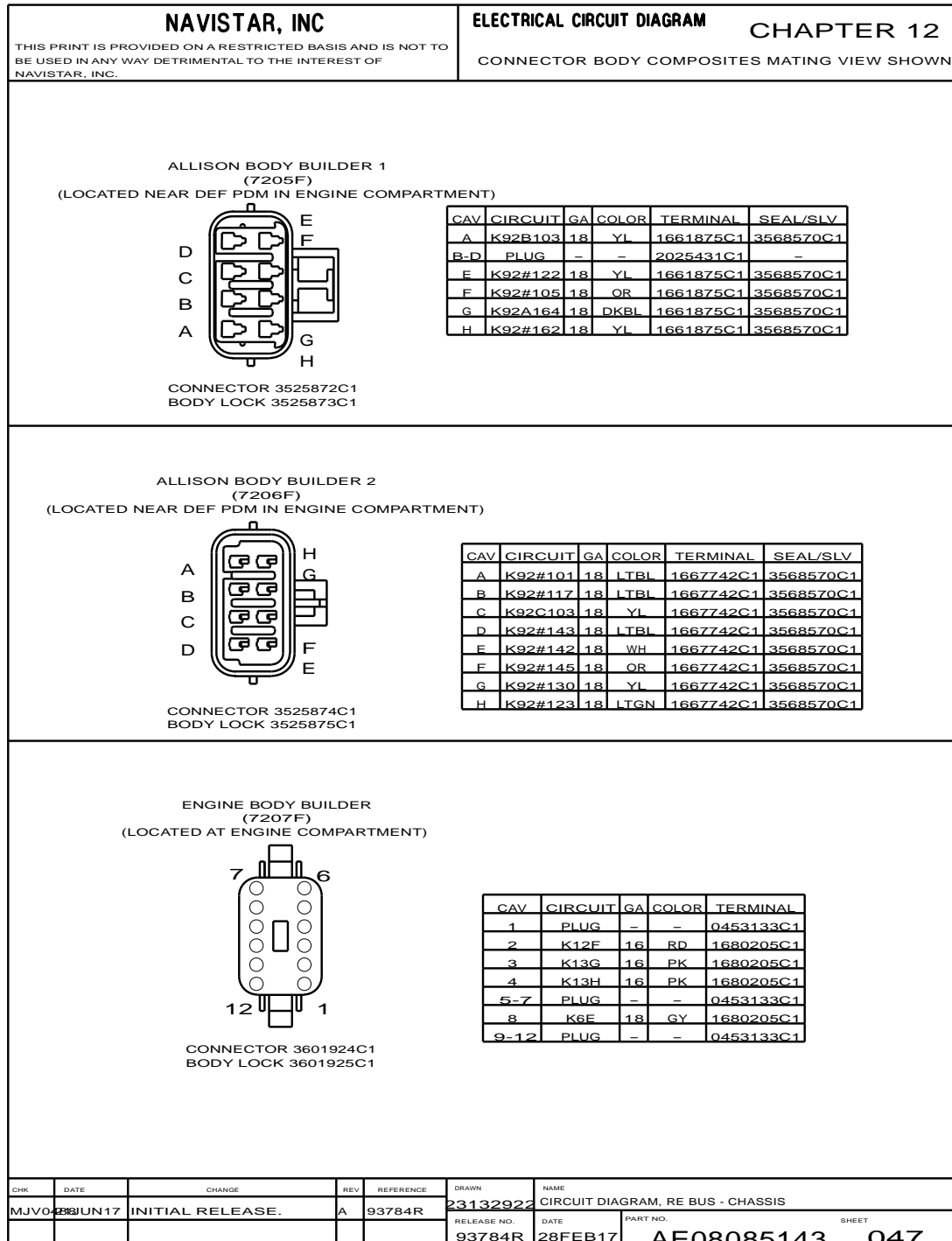


Figure 161 Connector Body Composites (7205F, 7206F, 7207F)

12.51. CONNECTOR BODY COMPOSITES (7250, 7306F, 7603), P. 48

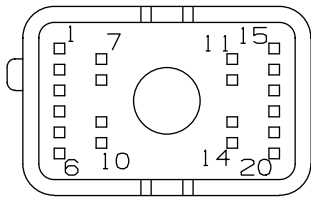
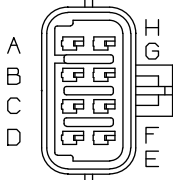
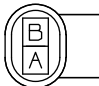
NAVISTAR, INC <small>THIS PRINT IS PROVIDED ON A RESTRICTED BASIS AND IS NOT TO BE USED IN ANY WAY DETRIMENTAL TO THE INTEREST OF NAVISTAR, INC.</small>				ELECTRICAL CIRCUIT DIAGRAM CHAPTER 12 CONNECTOR BODY COMPOSITES MATING VIEW SHOWN																																																																																																												
<p style="text-align: center;">TRANSMISSION BULKHEAD (7250) (LOCATED IN ENGINE COMPARTMENT)</p>  <p style="text-align: center;">CONNECTOR 3605715C1 BODY LOCK 3606532C1</p>				<table border="1" style="width:100%; border-collapse: collapse;"> <thead> <tr> <th>CAV</th> <th>CIRCUIT</th> <th>GA</th> <th>COLOR</th> <th>TERMINAL</th> </tr> </thead> <tbody> <tr><td>1</td><td>K111</td><td>18</td><td>OR</td><td>3686945C1</td></tr> <tr><td>2</td><td>K155</td><td>18</td><td>WH</td><td>3686945C1</td></tr> <tr><td>3</td><td>K177</td><td>18</td><td>LTGN</td><td>3686945C1</td></tr> <tr><td>4</td><td>K136</td><td>18</td><td>OR</td><td>3686945C1</td></tr> <tr><td>5</td><td>K152</td><td>18</td><td>LTGN</td><td>3686945C1</td></tr> <tr><td>6</td><td>K171</td><td>18</td><td>YL</td><td>3686945C1</td></tr> <tr><td>7</td><td>-</td><td>-</td><td>-</td><td>-</td></tr> <tr><td>8</td><td>K174</td><td>18</td><td>DKBL</td><td>3686945C1</td></tr> <tr><td>9</td><td>K133</td><td>18</td><td>YL</td><td>3686945C1</td></tr> <tr><td>10</td><td>K151</td><td>18</td><td>WH</td><td>3686945C1</td></tr> <tr><td>11</td><td>K#131C</td><td>18</td><td>YL</td><td>3686945C1</td></tr> <tr><td>12</td><td>K137</td><td>18</td><td>WH</td><td>3686945C1</td></tr> <tr><td>13</td><td>K180</td><td>18</td><td>OR</td><td>3686945C1</td></tr> <tr><td>14</td><td>K120</td><td>18</td><td>DKBL</td><td>3686945C1</td></tr> <tr><td>15</td><td>K116</td><td>18</td><td>DKBL</td><td>3686945C1</td></tr> <tr><td>16</td><td>K#112A</td><td>18</td><td>PK</td><td>3686945C1</td></tr> <tr><td>17</td><td>K118</td><td>18</td><td>GY</td><td>3686945C1</td></tr> <tr><td>18</td><td>K154</td><td>18</td><td>TN</td><td>3686945C1</td></tr> <tr><td>19</td><td>K#158B</td><td>18</td><td>LTGN</td><td>3686945C1</td></tr> <tr><td>20</td><td>K176</td><td>18</td><td>YL</td><td>3686945C1</td></tr> </tbody> </table>				CAV	CIRCUIT	GA	COLOR	TERMINAL	1	K111	18	OR	3686945C1	2	K155	18	WH	3686945C1	3	K177	18	LTGN	3686945C1	4	K136	18	OR	3686945C1	5	K152	18	LTGN	3686945C1	6	K171	18	YL	3686945C1	7	-	-	-	-	8	K174	18	DKBL	3686945C1	9	K133	18	YL	3686945C1	10	K151	18	WH	3686945C1	11	K#131C	18	YL	3686945C1	12	K137	18	WH	3686945C1	13	K180	18	OR	3686945C1	14	K120	18	DKBL	3686945C1	15	K116	18	DKBL	3686945C1	16	K#112A	18	PK	3686945C1	17	K118	18	GY	3686945C1	18	K154	18	TN	3686945C1	19	K#158B	18	LTGN	3686945C1	20	K176	18	YL	3686945C1
CAV	CIRCUIT	GA	COLOR	TERMINAL																																																																																																												
1	K111	18	OR	3686945C1																																																																																																												
2	K155	18	WH	3686945C1																																																																																																												
3	K177	18	LTGN	3686945C1																																																																																																												
4	K136	18	OR	3686945C1																																																																																																												
5	K152	18	LTGN	3686945C1																																																																																																												
6	K171	18	YL	3686945C1																																																																																																												
7	-	-	-	-																																																																																																												
8	K174	18	DKBL	3686945C1																																																																																																												
9	K133	18	YL	3686945C1																																																																																																												
10	K151	18	WH	3686945C1																																																																																																												
11	K#131C	18	YL	3686945C1																																																																																																												
12	K137	18	WH	3686945C1																																																																																																												
13	K180	18	OR	3686945C1																																																																																																												
14	K120	18	DKBL	3686945C1																																																																																																												
15	K116	18	DKBL	3686945C1																																																																																																												
16	K#112A	18	PK	3686945C1																																																																																																												
17	K118	18	GY	3686945C1																																																																																																												
18	K154	18	TN	3686945C1																																																																																																												
19	K#158B	18	LTGN	3686945C1																																																																																																												
20	K176	18	YL	3686945C1																																																																																																												
<p style="text-align: center;">ELECTRONIC ENGINE GAUGE (7306F) (LOCATED ON REAR OF TRANSMISSION)</p>  <p style="text-align: center;">CONNECTOR 3525874C1 BODY LOCK 3525875C1</p>				<table border="1" style="width:100%; border-collapse: collapse;"> <thead> <tr> <th>CAV</th> <th>CIRCUIT</th> <th>GA</th> <th>COLOR</th> <th>TERMINAL</th> <th>SEAL/SLV</th> </tr> </thead> <tbody> <tr><td>A</td><td>N110</td><td>18</td><td>YL</td><td>1667742C1</td><td>3568570C1</td></tr> <tr><td>B</td><td>N123</td><td>18</td><td>PK</td><td>1667742C1</td><td>3568570C1</td></tr> <tr><td>C</td><td>N125</td><td>18</td><td>LT GN</td><td>1667742C1</td><td>3568570C1</td></tr> <tr><td>D</td><td>N128E</td><td>18</td><td>YL</td><td>1667742C1</td><td>3568570C1</td></tr> <tr><td>E</td><td>N113</td><td>18</td><td>PK</td><td>1667742C1</td><td>3568570C1</td></tr> <tr><td>F</td><td>-</td><td>-</td><td>-</td><td>-</td><td>-</td></tr> <tr><td>G</td><td>N113B</td><td>18</td><td>PK</td><td>1667742C1</td><td>3568570C1</td></tr> <tr><td>H</td><td>-</td><td>-</td><td>-</td><td>-</td><td>-</td></tr> </tbody> </table>				CAV	CIRCUIT	GA	COLOR	TERMINAL	SEAL/SLV	A	N110	18	YL	1667742C1	3568570C1	B	N123	18	PK	1667742C1	3568570C1	C	N125	18	LT GN	1667742C1	3568570C1	D	N128E	18	YL	1667742C1	3568570C1	E	N113	18	PK	1667742C1	3568570C1	F	-	-	-	-	-	G	N113B	18	PK	1667742C1	3568570C1	H	-	-	-	-	-																																																			
CAV	CIRCUIT	GA	COLOR	TERMINAL	SEAL/SLV																																																																																																											
A	N110	18	YL	1667742C1	3568570C1																																																																																																											
B	N123	18	PK	1667742C1	3568570C1																																																																																																											
C	N125	18	LT GN	1667742C1	3568570C1																																																																																																											
D	N128E	18	YL	1667742C1	3568570C1																																																																																																											
E	N113	18	PK	1667742C1	3568570C1																																																																																																											
F	-	-	-	-	-																																																																																																											
G	N113B	18	PK	1667742C1	3568570C1																																																																																																											
H	-	-	-	-	-																																																																																																											
<p style="text-align: center;">INPUT SPEED SENSOR (7603) (LOCATED ON REAR OF TRANSMISSION)</p>  <p style="text-align: center;">CONNECTOR 3610533C1 BODY LOCK 3610532C1</p>				<table border="1" style="width:100%; border-collapse: collapse;"> <thead> <tr> <th>CAV</th> <th>CIRCUIT</th> <th>GA</th> <th>COLOR</th> <th>TERMINAL</th> <th>SEAL/SLV</th> </tr> </thead> <tbody> <tr><td>A</td><td>K159</td><td>18</td><td>TN</td><td>3554322C1</td><td>3554318C1</td></tr> <tr><td>B</td><td>K139</td><td>18</td><td>OR</td><td>3554322C1</td><td>3554318C1</td></tr> </tbody> </table>				CAV	CIRCUIT	GA	COLOR	TERMINAL	SEAL/SLV	A	K159	18	TN	3554322C1	3554318C1	B	K139	18	OR	3554322C1	3554318C1																																																																																							
CAV	CIRCUIT	GA	COLOR	TERMINAL	SEAL/SLV																																																																																																											
A	K159	18	TN	3554322C1	3554318C1																																																																																																											
B	K139	18	OR	3554322C1	3554318C1																																																																																																											
CHK	DATE	CHANGE	REV	REFERENCE	DRAWN	NAME																																																																																																										
MJV04	18SEP19	ADDED R/D 7306F.	B	95004Y	23132922	CIRCUIT DIAGRAM, RE BUS - CHASSIS																																																																																																										
					RELEASE NO.	DATE																																																																																																										
					937B4R	28FEB17																																																																																																										
					PART NO.	SHEET																																																																																																										
					AE08085143	048																																																																																																										

Figure 162 Connector Body Composites (7250, 7603, 7777M, 7980)

12.52. CONNECTOR BODY COMPOSITES (7777M, 7980), P. 48A

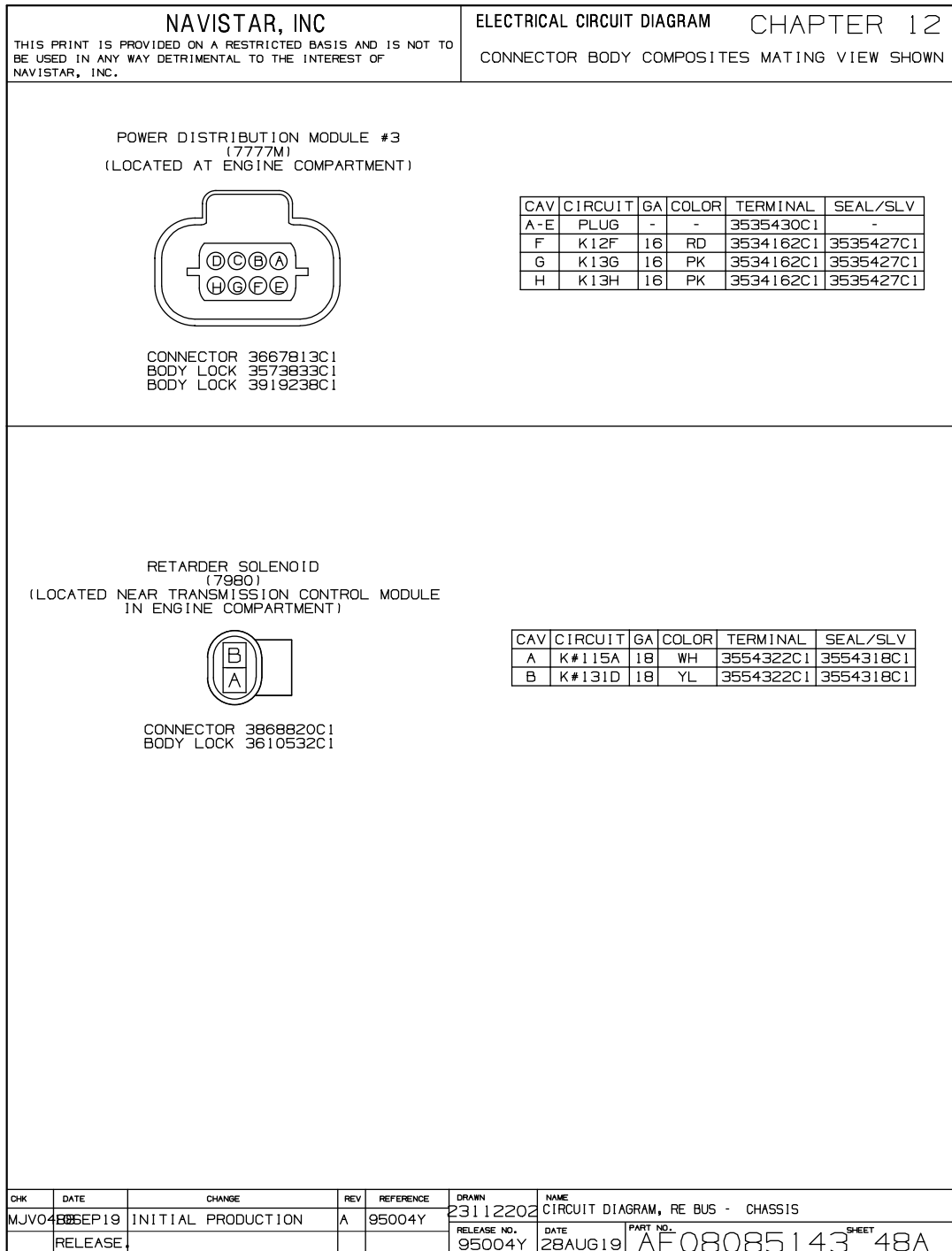


Figure 163 Connector Body Composites (7777M, 7980)

12.53. CONNECTOR BODY COMPOSITES (7981, 7982, 7983, 8500, 8600), P. 49

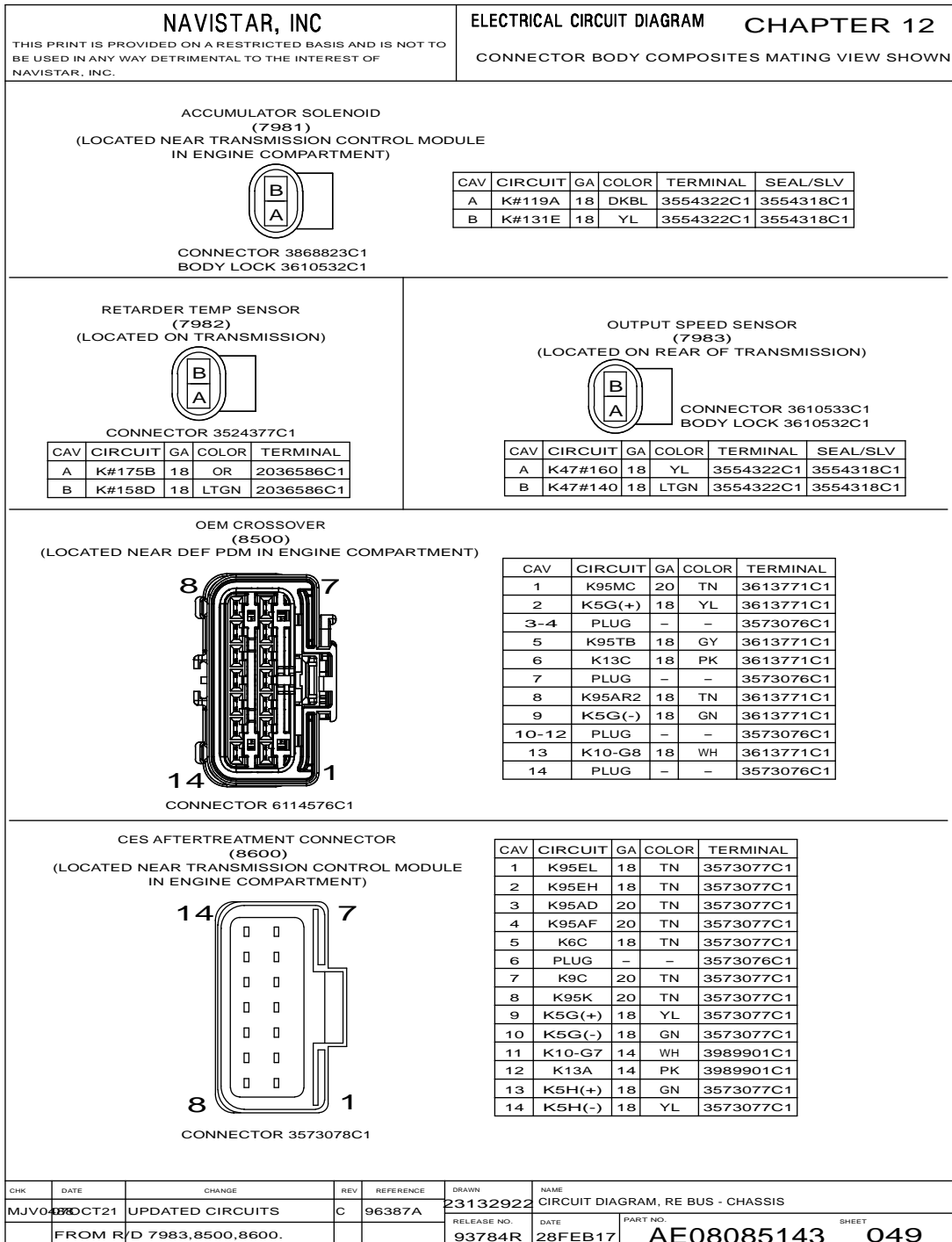


Figure 164 Connector Body Composites (7981, 7982, 7983, 8500, 8600)

12.54. CONNECTOR BODY COMPOSITES (8721, 8800, 9001, 9003, 9003A, 9261), P. 50

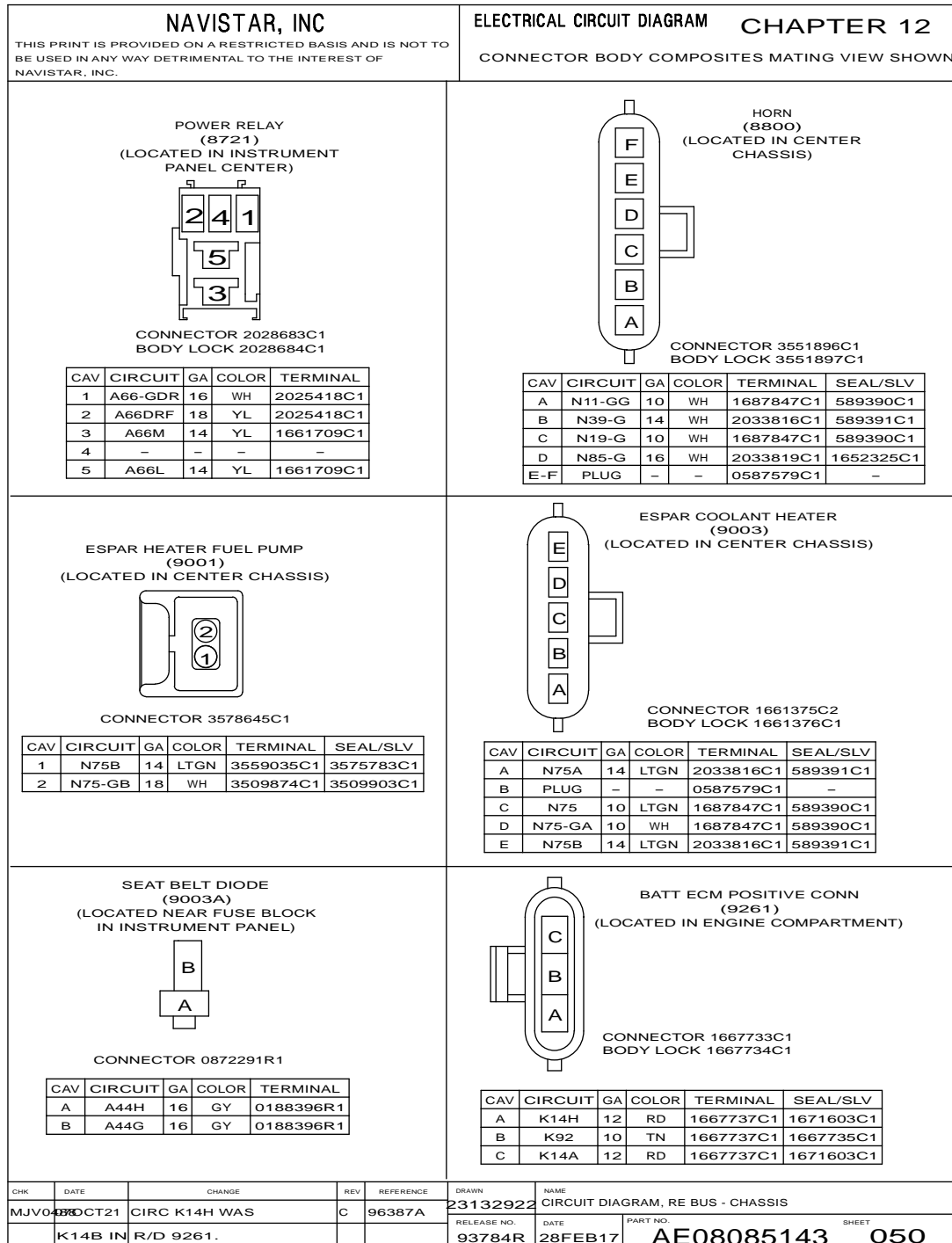


Figure 165 Connector Body Composites (8721, 8800, 9001, 9003, 9003A, 9261)

12.55. CONNECTOR BODY COMPOSITES (9550, 9850), P. 51

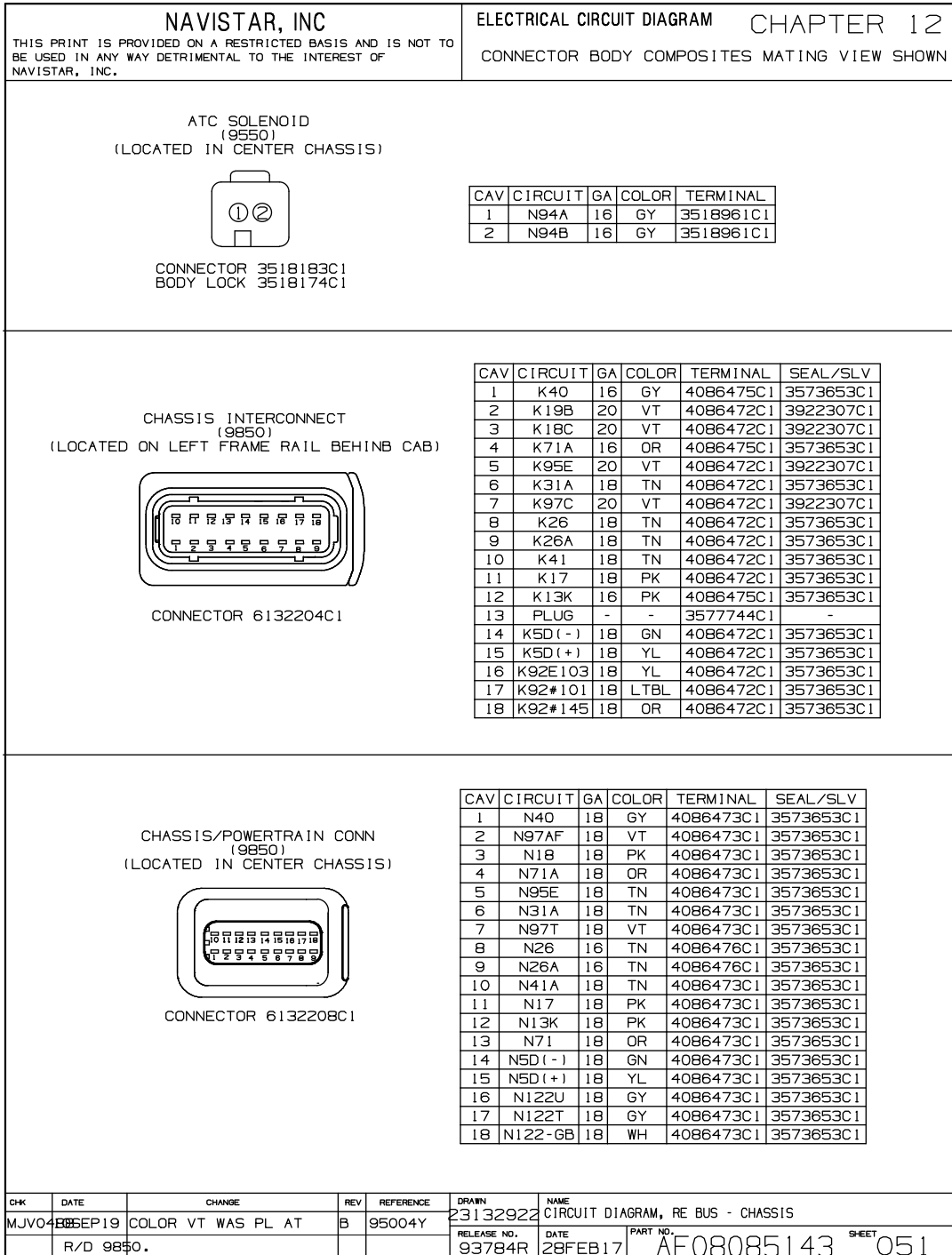


Figure 166 Connector Body Composites (9550, 9850)

12.56. CONNECTOR BODY COMPOSITES (9851, 9900), P. 52

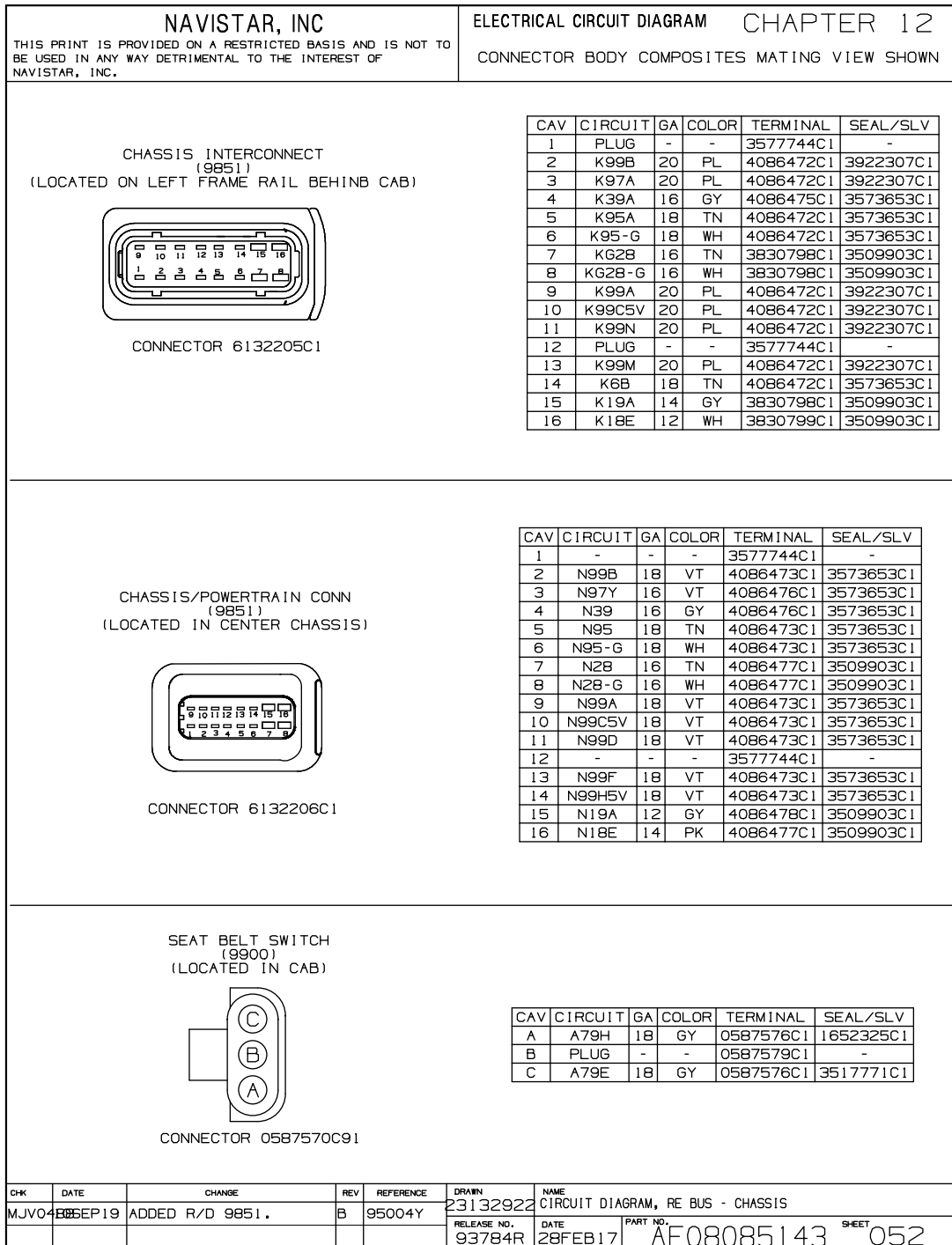


Figure 167 Connector Body Composites (9851, 9900)

12.57. CONNECTOR BODY COMPOSITES (9900A, 9901, 9902, 9902A), P. 53

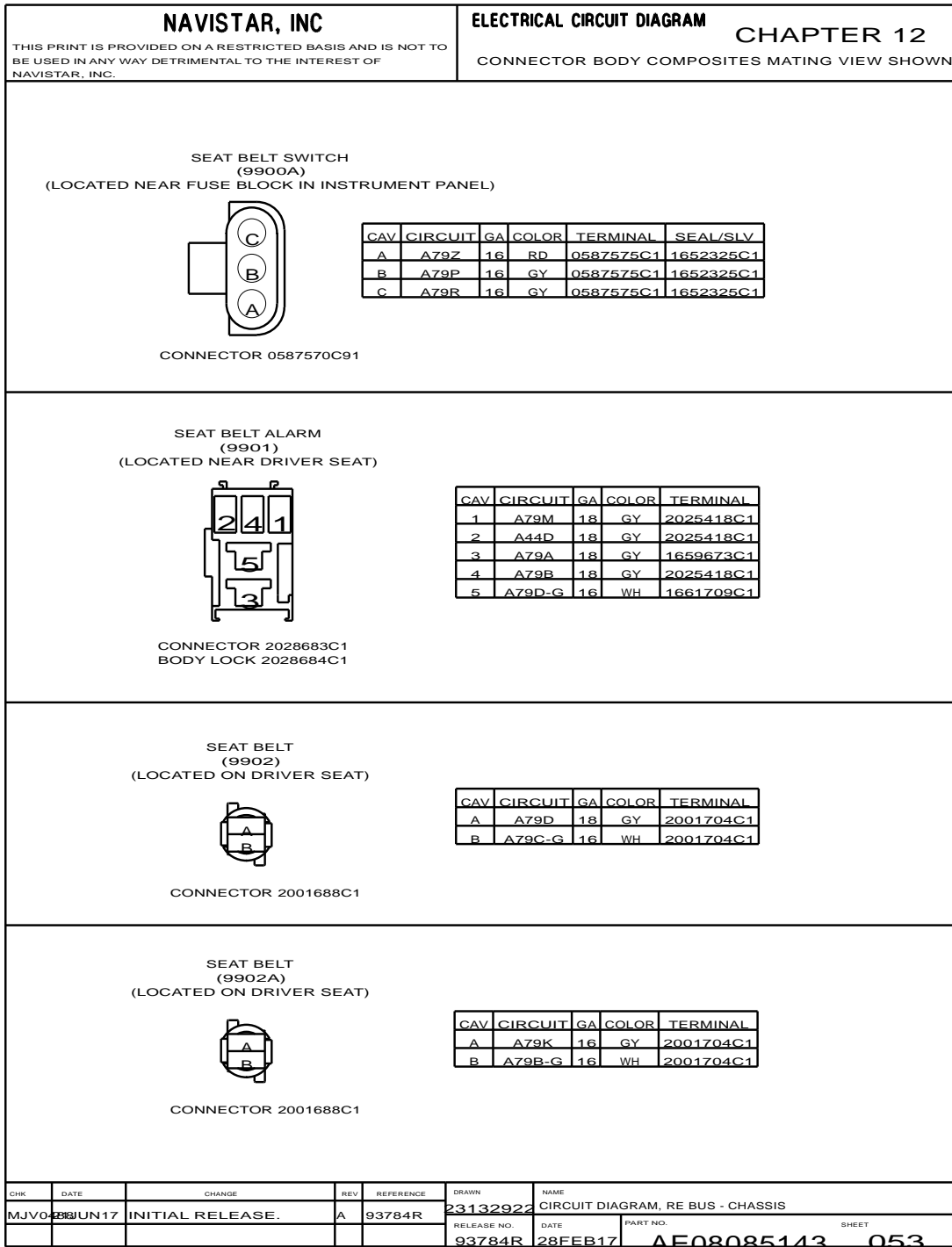


Figure 168 Connector Body Composites (9900A, 9901, 9902, 9902A)

12.58. CONNECTOR BODY COMPOSITES (9903, 9904, 9996, 9999, 9999M), P. 54

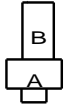
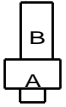
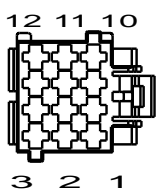
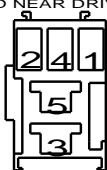

NAVISTAR, INC				ELECTRICAL CIRCUIT DIAGRAM																																																										
THIS PRINT IS PROVIDED ON A RESTRICTED BASIS AND IS NOT TO BE USED IN ANY WAY DETRIMENTAL TO THE INTEREST OF NAVISTAR, INC.				CHAPTER 12																																																										
				CONNECTOR BODY COMPOSITES MATING VIEW SHOWN																																																										
<p>SEAT BELT DIODE (9903) (LOCATED NEAR FUSE BLOCK IN INSTRUMENT PANEL)</p>  <p>CONNECTOR 0872291R1</p> <table border="1" style="width: 100%; border-collapse: collapse; font-size: x-small;"> <thead> <tr> <th>CAV</th> <th>CIRCUIT</th> <th>GA</th> <th>COLOR</th> <th>TERMINAL</th> </tr> </thead> <tbody> <tr> <td>A</td> <td>A44D</td> <td>18</td> <td>GY</td> <td>0879630R1</td> </tr> <tr> <td>B</td> <td>A44B</td> <td>18</td> <td>GY</td> <td>0879630R1</td> </tr> </tbody> </table>				CAV	CIRCUIT	GA	COLOR	TERMINAL	A	A44D	18	GY	0879630R1	B	A44B	18	GY	0879630R1	<p>EMERGENCY EXIT DIODE (9904) (LOCATED NEAR FUSE BLOCK IN INSTRUMENT PANEL)</p>  <p>CONNECTOR 0872291R1</p> <table border="1" style="width: 100%; border-collapse: collapse; font-size: x-small;"> <thead> <tr> <th>CAV</th> <th>CIRCUIT</th> <th>GA</th> <th>COLOR</th> <th>TERMINAL</th> </tr> </thead> <tbody> <tr> <td>A</td> <td>A117C</td> <td>18</td> <td>GY</td> <td>0879630R1</td> </tr> <tr> <td>B</td> <td>A117B</td> <td>18</td> <td>GY</td> <td>0879630R1</td> </tr> </tbody> </table>				CAV	CIRCUIT	GA	COLOR	TERMINAL	A	A117C	18	GY	0879630R1	B	A117B	18	GY	0879630R1																									
CAV	CIRCUIT	GA	COLOR	TERMINAL																																																										
A	A44D	18	GY	0879630R1																																																										
B	A44B	18	GY	0879630R1																																																										
CAV	CIRCUIT	GA	COLOR	TERMINAL																																																										
A	A117C	18	GY	0879630R1																																																										
B	A117B	18	GY	0879630R1																																																										
<p>7 DAY TIMER CLNT HEATER (9996) (LOCATED IN PLATFORM)</p>  <p>CONNECTOR 3924168C1 BODY LOCK 3924983C1</p>				<table border="1" style="width: 100%; border-collapse: collapse; font-size: x-small;"> <thead> <tr> <th>CAV</th> <th>CIRCUIT</th> <th>GA</th> <th>COLOR</th> <th>TERMINAL</th> </tr> </thead> <tbody> <tr> <td>1</td> <td>B62BM</td> <td>18</td> <td>DK BL</td> <td>3548971C1</td> </tr> <tr> <td>2</td> <td>B74L</td> <td>18</td> <td>LT GN</td> <td>3548971C1</td> </tr> <tr> <td>3</td> <td>-</td> <td>-</td> <td>-</td> <td>-</td> </tr> <tr> <td>4</td> <td>B74-GH</td> <td>18</td> <td>WH</td> <td>3548971C1</td> </tr> <tr> <td>5-7</td> <td>-</td> <td>-</td> <td>-</td> <td>-</td> </tr> <tr> <td>8</td> <td>B74T</td> <td>18</td> <td>BK</td> <td>3548971C1</td> </tr> <tr> <td>9</td> <td>-</td> <td>-</td> <td>-</td> <td>-</td> </tr> <tr> <td>10</td> <td>B74P</td> <td>18</td> <td>PK</td> <td>3548971C1</td> </tr> <tr> <td>11</td> <td>B74N</td> <td>18</td> <td>RD</td> <td>3548971C1</td> </tr> <tr> <td>12</td> <td>B74-GG</td> <td>18</td> <td>WH</td> <td>3548971C1</td> </tr> </tbody> </table>				CAV	CIRCUIT	GA	COLOR	TERMINAL	1	B62BM	18	DK BL	3548971C1	2	B74L	18	LT GN	3548971C1	3	-	-	-	-	4	B74-GH	18	WH	3548971C1	5-7	-	-	-	-	8	B74T	18	BK	3548971C1	9	-	-	-	-	10	B74P	18	PK	3548971C1	11	B74N	18	RD	3548971C1	12	B74-GG	18	WH	3548971C1
CAV	CIRCUIT	GA	COLOR	TERMINAL																																																										
1	B62BM	18	DK BL	3548971C1																																																										
2	B74L	18	LT GN	3548971C1																																																										
3	-	-	-	-																																																										
4	B74-GH	18	WH	3548971C1																																																										
5-7	-	-	-	-																																																										
8	B74T	18	BK	3548971C1																																																										
9	-	-	-	-																																																										
10	B74P	18	PK	3548971C1																																																										
11	B74N	18	RD	3548971C1																																																										
12	B74-GG	18	WH	3548971C1																																																										
<p>SEAT BELT ALARM (9999) (LOCATED NEAR DRIVER SEAT)</p>  <p>CONNECTOR 2028683C1 BODY LOCK 2028684C1</p>				<table border="1" style="width: 100%; border-collapse: collapse; font-size: x-small;"> <thead> <tr> <th>CAV</th> <th>CIRCUIT</th> <th>GA</th> <th>COLOR</th> <th>TERMINAL</th> </tr> </thead> <tbody> <tr> <td>1</td> <td>A79J</td> <td>16</td> <td>GY</td> <td>2025418C1</td> </tr> <tr> <td>2</td> <td>A44H</td> <td>16</td> <td>GY</td> <td>2025418C1</td> </tr> <tr> <td>3</td> <td>A79N</td> <td>16</td> <td>GY</td> <td>1661709C1</td> </tr> <tr> <td>4</td> <td>A79L</td> <td>14</td> <td>GY</td> <td>2025419C1</td> </tr> <tr> <td>5</td> <td>A79D-G</td> <td>16</td> <td>WH</td> <td>1661709C1</td> </tr> </tbody> </table>				CAV	CIRCUIT	GA	COLOR	TERMINAL	1	A79J	16	GY	2025418C1	2	A44H	16	GY	2025418C1	3	A79N	16	GY	1661709C1	4	A79L	14	GY	2025419C1	5	A79D-G	16	WH	1661709C1																									
CAV	CIRCUIT	GA	COLOR	TERMINAL																																																										
1	A79J	16	GY	2025418C1																																																										
2	A44H	16	GY	2025418C1																																																										
3	A79N	16	GY	1661709C1																																																										
4	A79L	14	GY	2025419C1																																																										
5	A79D-G	16	WH	1661709C1																																																										
<p>BATTERY POWER (9999M) (CONNECTED TO STARTER POSITIVE TERMINAL)</p>  <p>CONNECTOR 3667910C1 BODY LOCK 3667977C1</p>				<table border="1" style="width: 100%; border-collapse: collapse; font-size: x-small;"> <thead> <tr> <th>CAV</th> <th>CIRCUIT</th> <th>GA</th> <th>COLOR</th> <th>TERMINAL</th> <th>SEAL/SLV</th> </tr> </thead> <tbody> <tr> <td>A</td> <td>K14</td> <td>8</td> <td>RD</td> <td>3667973C1</td> <td>3667972C1</td> </tr> </tbody> </table>				CAV	CIRCUIT	GA	COLOR	TERMINAL	SEAL/SLV	A	K14	8	RD	3667973C1	3667972C1																																											
CAV	CIRCUIT	GA	COLOR	TERMINAL	SEAL/SLV																																																									
A	K14	8	RD	3667973C1	3667972C1																																																									
CHK	DATE	CHANGE	REV	REFERENCE	DRAWN	NAME																																																								
MJVO	28 JUN 17	INITIAL RELEASE.	A	93784R	23132922	CIRCUIT DIAGRAM, RE BUS - CHASSIS																																																								
					RELEASE NO.	DATE	PART NO.																																																							
					93784R	28 FEB 17	AE08085143																																																							
							SHEET 054																																																							

Figure 169 Connector Body Composites (9903, 9904, 9996, 9999, 9999M)

12.59. CONNECTOR BODY COMPOSITES (10000), P. 55

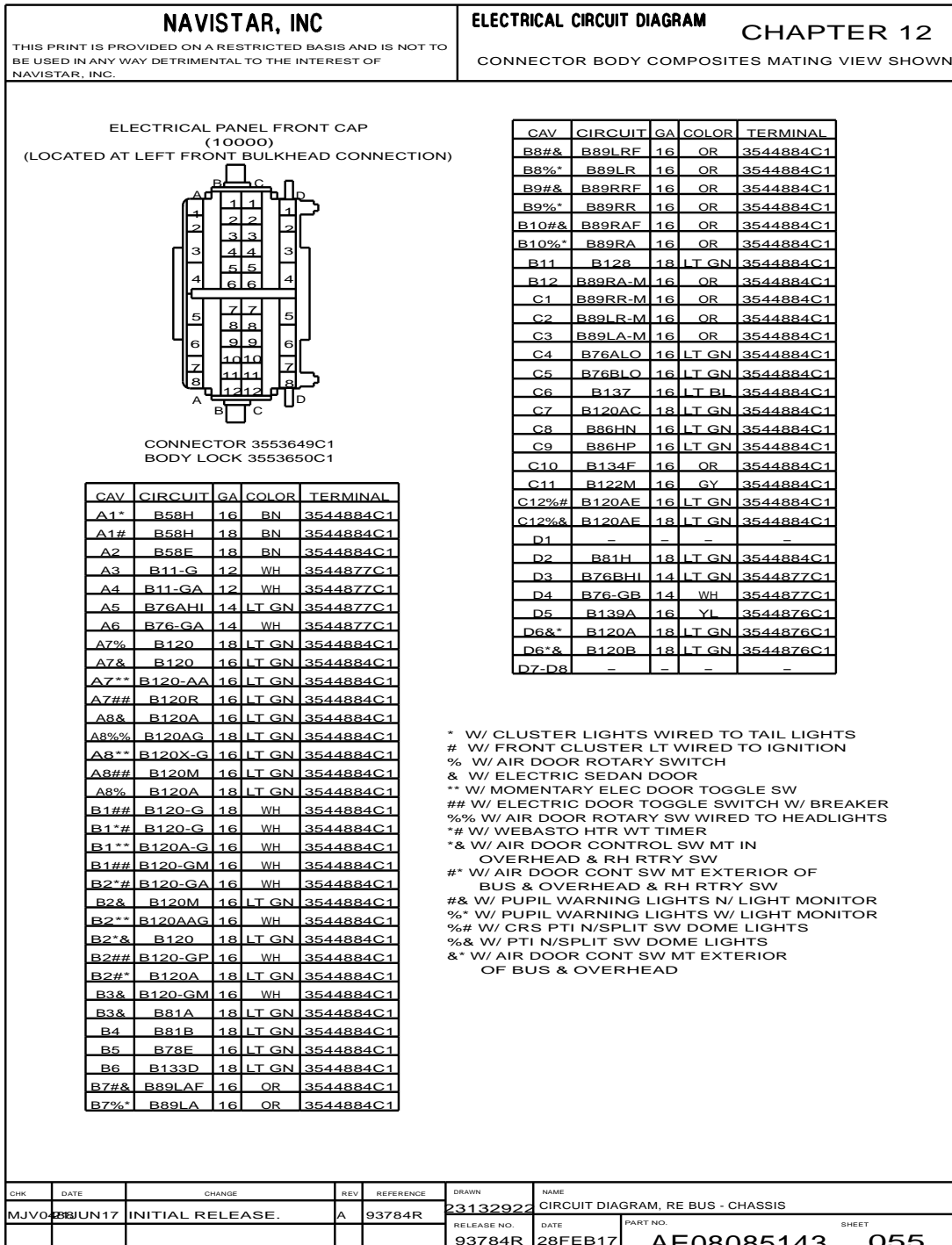


Figure 170 Connector Body Composites (10000)

12.60. CONNECTOR BODY COMPOSITES (10003, 10003L, 10004), P. 56

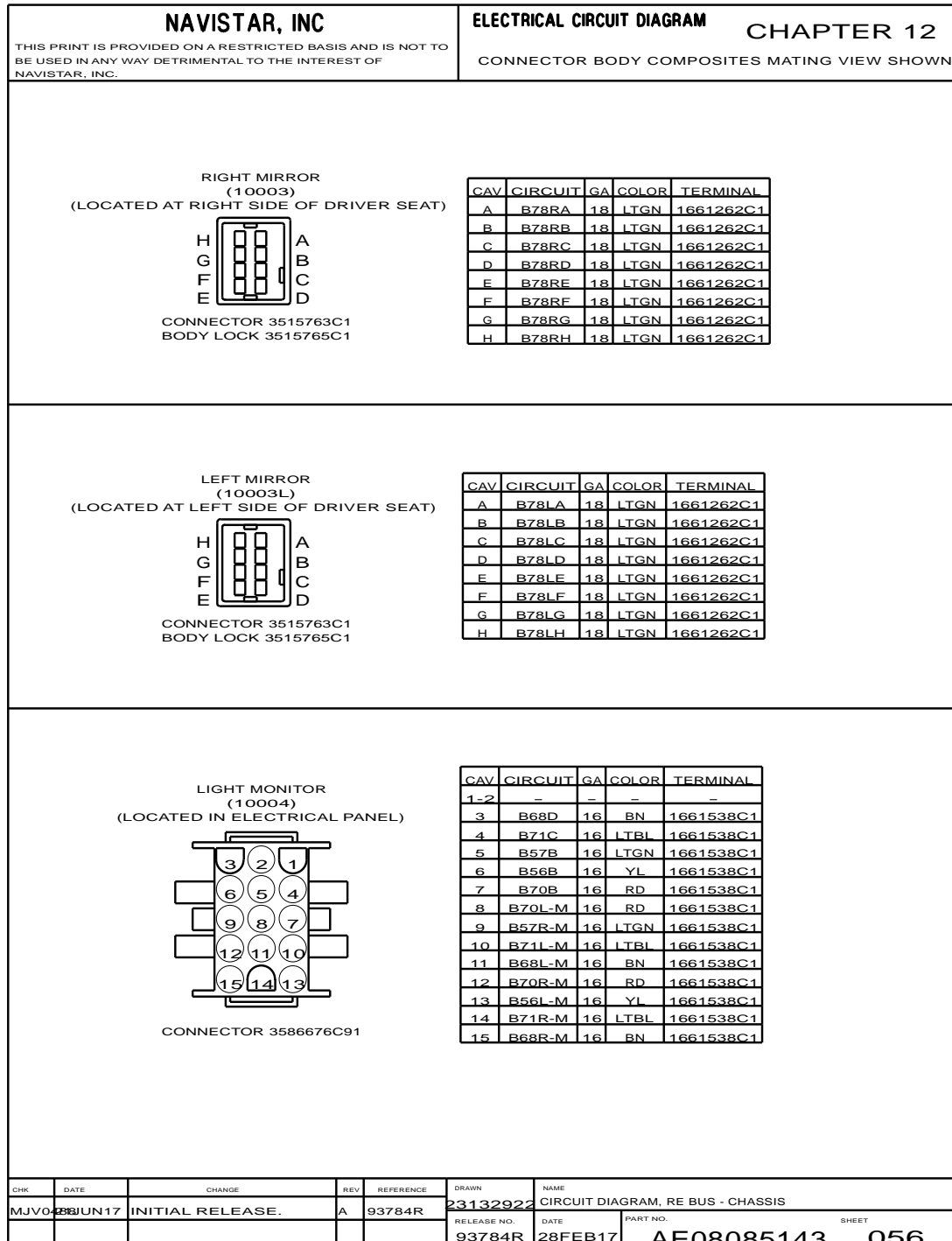


Figure 171 Connector Body Composites (10003, 10003L, 10004)

12.61. CONNECTOR BODY COMPOSITES (10200), P. 57

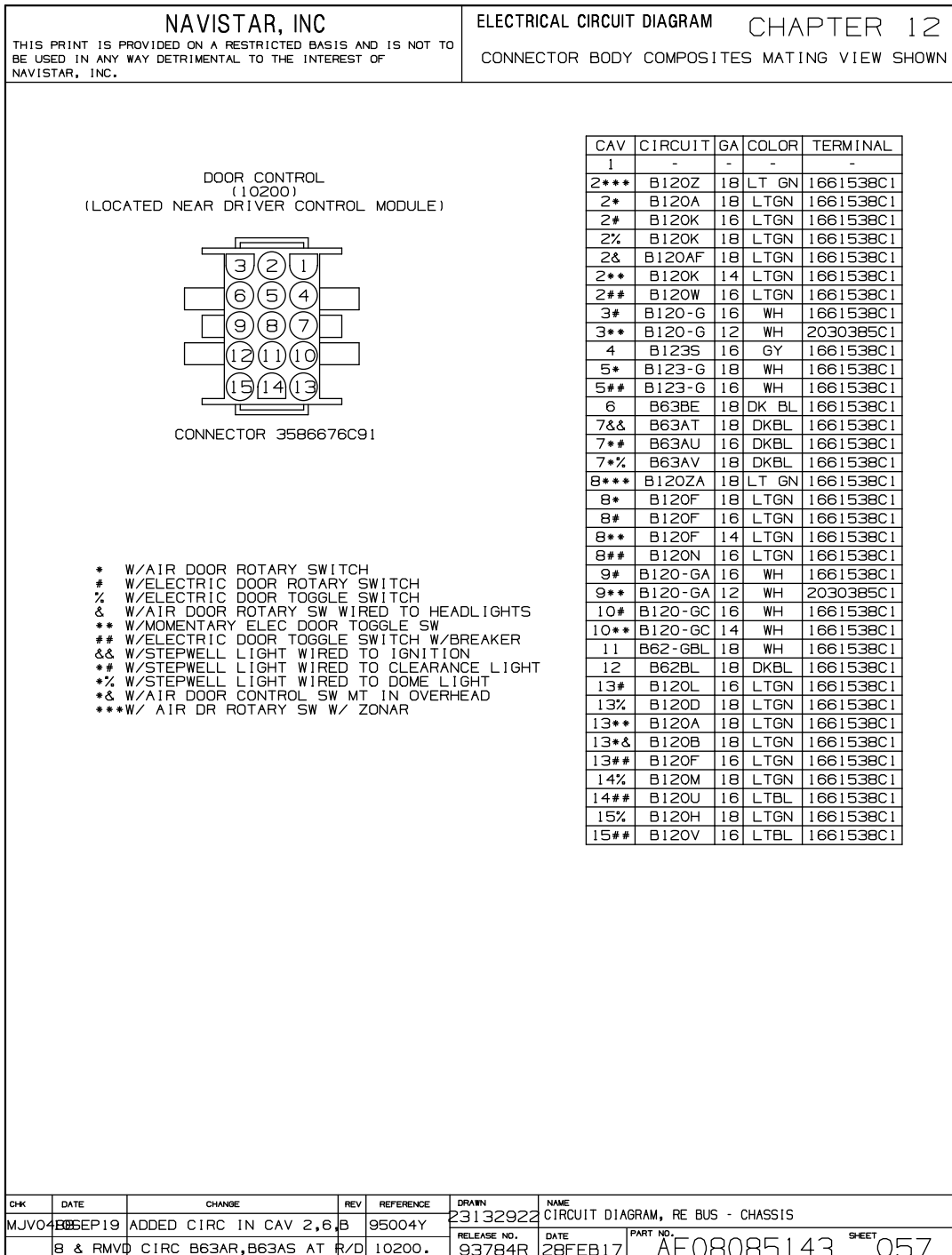


Figure 172 Connector Body Composites (10200)

12.62. CONNECTOR BODY COMPOSITES (10201, 10202), P. 58

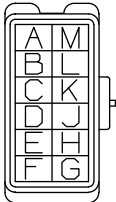
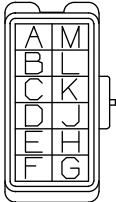
NAVISTAR, INC				ELECTRICAL CIRCUIT DIAGRAM CHAPTER 12																																																																																																							
THIS PRINT IS PROVIDED ON A RESTRICTED BASIS AND IS NOT TO BE USED IN ANY WAY DETRIMENTAL TO THE INTEREST OF NAVISTAR, INC.				CONNECTOR BODY COMPOSITES MATING VIEW SHOWN																																																																																																							
<p>DOME LT POWER (10201) (LOCATED AT FRONT BULKHEAD-RIGHT)</p>  <p>CONNECTOR 3700745C1 BODY LOCK 3700749C1</p>				<table border="1" style="width:100%; border-collapse: collapse; font-size: x-small;"> <thead> <tr> <th>CAV</th> <th>CIRCUIT</th> <th>GA</th> <th>COLOR</th> <th>TERMINAL</th> </tr> </thead> <tbody> <tr><td>A*</td><td>B63</td><td>16</td><td>DK BL</td><td>3534165C1</td></tr> <tr><td>A#</td><td>B53N</td><td>16</td><td>YL</td><td>3534165C1</td></tr> <tr><td>A%</td><td>B63A</td><td>16</td><td>DK BL</td><td>3534165C1</td></tr> <tr><td>B</td><td>B63C</td><td>16</td><td>DK BL</td><td>3534165C1</td></tr> <tr><td>C</td><td>B63BJ</td><td>18</td><td>DK BL</td><td>3534164C1</td></tr> <tr><td>D&</td><td>B63AK</td><td>16</td><td>DK BL</td><td>3534165C1</td></tr> <tr><td>D**</td><td>B63AL</td><td>16</td><td>DK BL</td><td>3534165C1</td></tr> <tr><td>E##</td><td>B63AD</td><td>16</td><td>DK BL</td><td>3534165C1</td></tr> <tr><td>E%%</td><td>B63AY</td><td>16</td><td>DK BL</td><td>3534165C1</td></tr> <tr><td>E&&</td><td>B63AZ</td><td>16</td><td>DK BL</td><td>3534165C1</td></tr> <tr><td>F</td><td>-</td><td>-</td><td>-</td><td>-</td></tr> <tr><td>G</td><td>B63AN</td><td>16</td><td>DK BL</td><td>3534165C1</td></tr> <tr><td>H</td><td>B63AF</td><td>16</td><td>DK BL</td><td>3534165C1</td></tr> <tr><td>J-K</td><td>-</td><td>-</td><td>-</td><td>-</td></tr> <tr><td>L##</td><td>B63BJ</td><td>16</td><td>DK BL</td><td>3534165C1</td></tr> <tr><td>L*%</td><td>B63</td><td>16</td><td>DK BL</td><td>3534165C1</td></tr> <tr><td>M*</td><td>B63BK</td><td>16</td><td>DK BL</td><td>3534165C1</td></tr> <tr><td>M#</td><td>B63U</td><td>16</td><td>DK BL</td><td>3534165C1</td></tr> <tr><td>M%</td><td>B63C</td><td>16</td><td>DK BL</td><td>3534165C1</td></tr> </tbody> </table>				CAV	CIRCUIT	GA	COLOR	TERMINAL	A*	B63	16	DK BL	3534165C1	A#	B53N	16	YL	3534165C1	A%	B63A	16	DK BL	3534165C1	B	B63C	16	DK BL	3534165C1	C	B63BJ	18	DK BL	3534164C1	D&	B63AK	16	DK BL	3534165C1	D**	B63AL	16	DK BL	3534165C1	E##	B63AD	16	DK BL	3534165C1	E%%	B63AY	16	DK BL	3534165C1	E&&	B63AZ	16	DK BL	3534165C1	F	-	-	-	-	G	B63AN	16	DK BL	3534165C1	H	B63AF	16	DK BL	3534165C1	J-K	-	-	-	-	L##	B63BJ	16	DK BL	3534165C1	L*%	B63	16	DK BL	3534165C1	M*	B63BK	16	DK BL	3534165C1	M#	B63U	16	DK BL	3534165C1	M%	B63C	16	DK BL	3534165C1
CAV	CIRCUIT	GA	COLOR	TERMINAL																																																																																																							
A*	B63	16	DK BL	3534165C1																																																																																																							
A#	B53N	16	YL	3534165C1																																																																																																							
A%	B63A	16	DK BL	3534165C1																																																																																																							
B	B63C	16	DK BL	3534165C1																																																																																																							
C	B63BJ	18	DK BL	3534164C1																																																																																																							
D&	B63AK	16	DK BL	3534165C1																																																																																																							
D**	B63AL	16	DK BL	3534165C1																																																																																																							
E##	B63AD	16	DK BL	3534165C1																																																																																																							
E%%	B63AY	16	DK BL	3534165C1																																																																																																							
E&&	B63AZ	16	DK BL	3534165C1																																																																																																							
F	-	-	-	-																																																																																																							
G	B63AN	16	DK BL	3534165C1																																																																																																							
H	B63AF	16	DK BL	3534165C1																																																																																																							
J-K	-	-	-	-																																																																																																							
L##	B63BJ	16	DK BL	3534165C1																																																																																																							
L*%	B63	16	DK BL	3534165C1																																																																																																							
M*	B63BK	16	DK BL	3534165C1																																																																																																							
M#	B63U	16	DK BL	3534165C1																																																																																																							
M%	B63C	16	DK BL	3534165C1																																																																																																							
<p>* W/ DOME LT SINGLE SW VIGN OVERHEAD N/ RHEO # W/ DOME LT SPLIT SW OVERHEAD N/RHEO WIRED TO HEADLIGHTS % W/ DOME LT SPLIT SW VIGN OVHD N/RHEO& W/CRS & W/ DRIVERS DOME OVERHEAD N/ RHEO ** W/ DRIVERS DOME W/ RHEO ## W/ ACTIVITY LIGHT OVERHEAD %% W/ DOME LT LAST BOW SECT SW OVERHEAD N/RHEO && W/ DOME LT LAST BOW SECT SW LEFT PNL N/RHEO # W/ DOME LT SPLIT SW VIGN OVERHEAD N/ RHEO *% W/ DOME LT SINGLE SW VIGN L SW PNL N/ RHEO</p>																																																																																																											
<p>DOME LT OUTPUT (10202) (LOCATED AT FRONT BULKHEAD-RIGHT)</p>  <p>CONNECTOR 3700745C1 BODY LOCK 3700749C1</p>				<table border="1" style="width:100%; border-collapse: collapse; font-size: x-small;"> <thead> <tr> <th>CAV</th> <th>CIRCUIT</th> <th>GA</th> <th>COLOR</th> <th>TERMINAL</th> </tr> </thead> <tbody> <tr><td>A</td><td>B63A</td><td>16</td><td>DK BL</td><td>3534165C1</td></tr> <tr><td>B*</td><td>B63E</td><td>16</td><td>DK BL</td><td>3534165C1</td></tr> <tr><td>B#</td><td>B63H</td><td>16</td><td>DK BL</td><td>3534165C1</td></tr> <tr><td>C</td><td>B63T</td><td>16</td><td>DK BL</td><td>3534165C1</td></tr> <tr><td>D%%</td><td>B63CC</td><td>14</td><td>LT BL</td><td>3534165C1</td></tr> <tr><td>D**</td><td>B63CC</td><td>16</td><td>DK BL</td><td>3534165C1</td></tr> <tr><td>D%</td><td>B63D</td><td>16</td><td>DK BL</td><td>3534165C1</td></tr> <tr><td>D&</td><td>B63B</td><td>14</td><td>DK BL</td><td>3534165C1</td></tr> <tr><td>E</td><td>B63F</td><td>16</td><td>DK BL</td><td>3534165C1</td></tr> <tr><td>F</td><td>B63AV</td><td>18</td><td>DK BL</td><td>3534164C1</td></tr> <tr><td>G-H</td><td>-</td><td>-</td><td>-</td><td>-</td></tr> <tr><td>J**</td><td>B63</td><td>14</td><td>LT BL</td><td>3534165C1</td></tr> <tr><td>J%</td><td>B63A</td><td>16</td><td>DK BL</td><td>3534165C1</td></tr> <tr><td>J&</td><td>B63A</td><td>14</td><td>DK BL</td><td>3534165C1</td></tr> <tr><td>K</td><td>B63V</td><td>16</td><td>DK BL</td><td>3534165C1</td></tr> <tr><td>L##</td><td>B63F</td><td>16</td><td>DK BL</td><td>3534165C1</td></tr> <tr><td>L#</td><td>B63J</td><td>16</td><td>DK BL</td><td>3534165C1</td></tr> <tr><td>M</td><td>B63B</td><td>16</td><td>DK BL</td><td>3534165C1</td></tr> </tbody> </table>				CAV	CIRCUIT	GA	COLOR	TERMINAL	A	B63A	16	DK BL	3534165C1	B*	B63E	16	DK BL	3534165C1	B#	B63H	16	DK BL	3534165C1	C	B63T	16	DK BL	3534165C1	D%%	B63CC	14	LT BL	3534165C1	D**	B63CC	16	DK BL	3534165C1	D%	B63D	16	DK BL	3534165C1	D&	B63B	14	DK BL	3534165C1	E	B63F	16	DK BL	3534165C1	F	B63AV	18	DK BL	3534164C1	G-H	-	-	-	-	J**	B63	14	LT BL	3534165C1	J%	B63A	16	DK BL	3534165C1	J&	B63A	14	DK BL	3534165C1	K	B63V	16	DK BL	3534165C1	L##	B63F	16	DK BL	3534165C1	L#	B63J	16	DK BL	3534165C1	M	B63B	16	DK BL	3534165C1					
CAV	CIRCUIT	GA	COLOR	TERMINAL																																																																																																							
A	B63A	16	DK BL	3534165C1																																																																																																							
B*	B63E	16	DK BL	3534165C1																																																																																																							
B#	B63H	16	DK BL	3534165C1																																																																																																							
C	B63T	16	DK BL	3534165C1																																																																																																							
D%%	B63CC	14	LT BL	3534165C1																																																																																																							
D**	B63CC	16	DK BL	3534165C1																																																																																																							
D%	B63D	16	DK BL	3534165C1																																																																																																							
D&	B63B	14	DK BL	3534165C1																																																																																																							
E	B63F	16	DK BL	3534165C1																																																																																																							
F	B63AV	18	DK BL	3534164C1																																																																																																							
G-H	-	-	-	-																																																																																																							
J**	B63	14	LT BL	3534165C1																																																																																																							
J%	B63A	16	DK BL	3534165C1																																																																																																							
J&	B63A	14	DK BL	3534165C1																																																																																																							
K	B63V	16	DK BL	3534165C1																																																																																																							
L##	B63F	16	DK BL	3534165C1																																																																																																							
L#	B63J	16	DK BL	3534165C1																																																																																																							
M	B63B	16	DK BL	3534165C1																																																																																																							
<p>* W/ DOME LT SINGLE SW VIGN OVERHEAD N/ RHEO # W/ DOME LT SPLIT SW VIGN OVHD N/RHEO& W/CRS ## W/ DOME LT SINGLE SW VIGN OVERHEAD N/ RHEO % W/ POST TRIP W/SNOOZE & W/ THEFTMATE N/SNOOZE ** W/ POST TRIP W/ ALTN RELAY LOCATION %% W/ PTI N/SPLIT SW DOME LIGHTS</p>																																																																																																											
CHK	DATE	CHANGE	REV	REFERENCE	DRAWN	NAME																																																																																																					
MJV04	18SEP19	ADDED CIRC IN CAV D,	B	95004Y	23132922	CIRCUIT DIAGRAM, RE BUS - CHASSIS																																																																																																					
					RELEASE NO.	DATE	PART NO.																																																																																																				
					937B4R	28FEB17	AE08085143																																																																																																				
						SHEET	058																																																																																																				

Figure 173 Connector Body Composites (10201, 10202)

12.63. CONNECTOR BODY COMPOSITES (10203, 10204), P. 59

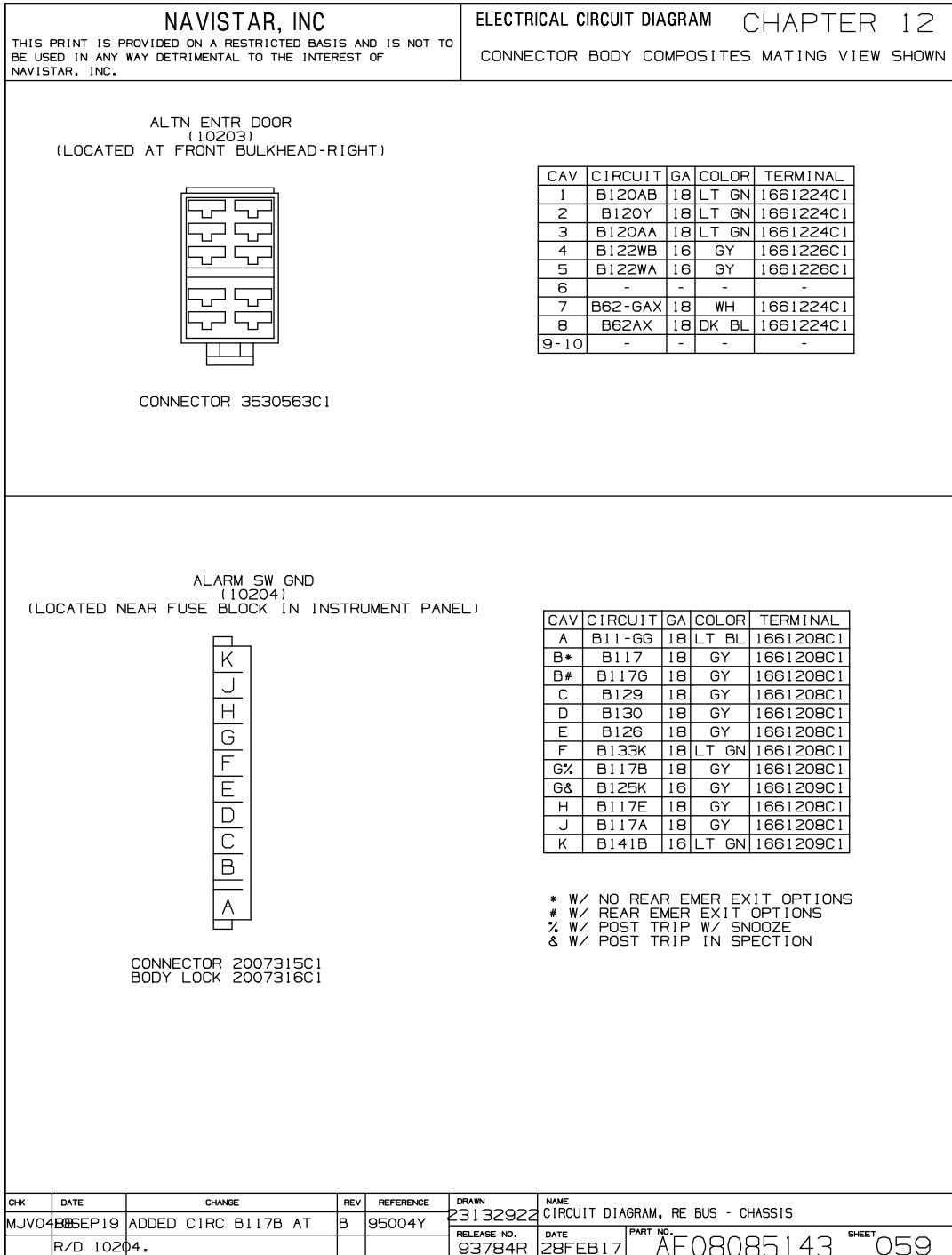


Figure 174 Connector Body Composites (10203, 10204)

12.64. CONNECTOR BODY COMPOSITES (10207A, 10208), P. 60

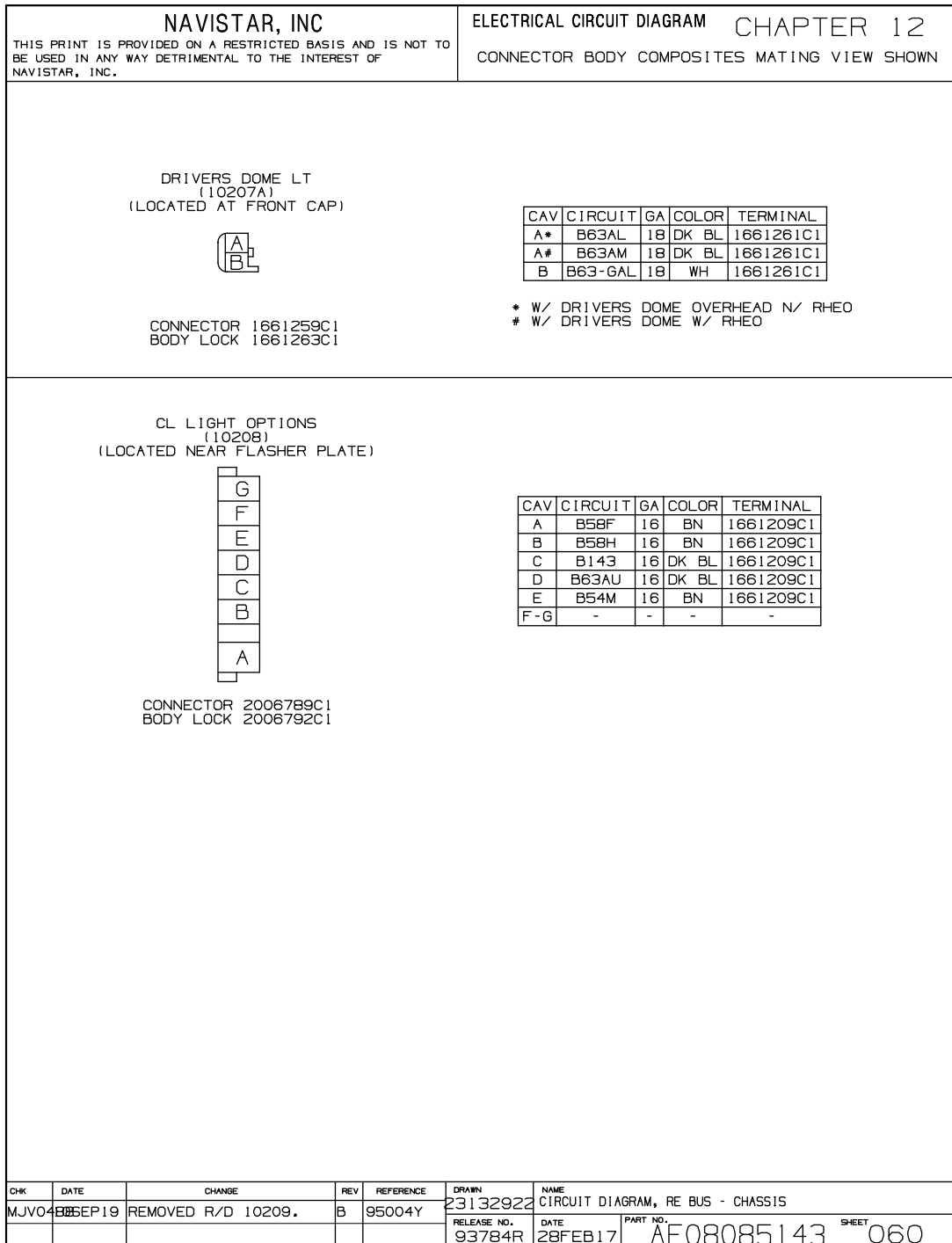


Figure 175 Connector Body Composites (10207A, 10208)

12.65. CONNECTOR BODY COMPOSITES (10210), P. 61

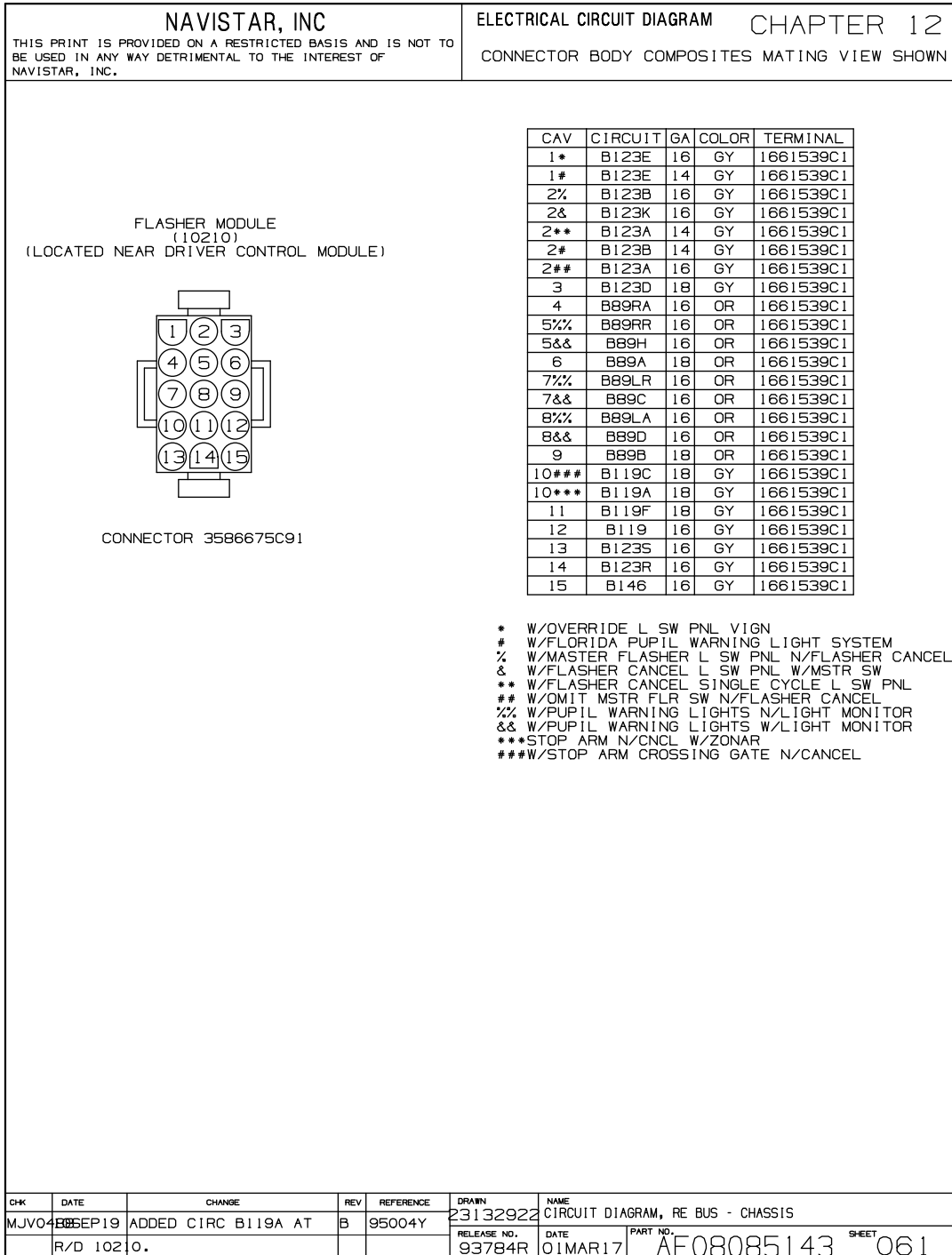


Figure 176 Connector Body Composites (10210)

12.66. CONNECTOR BODY COMPOSITES (10212, 10213), P. 62

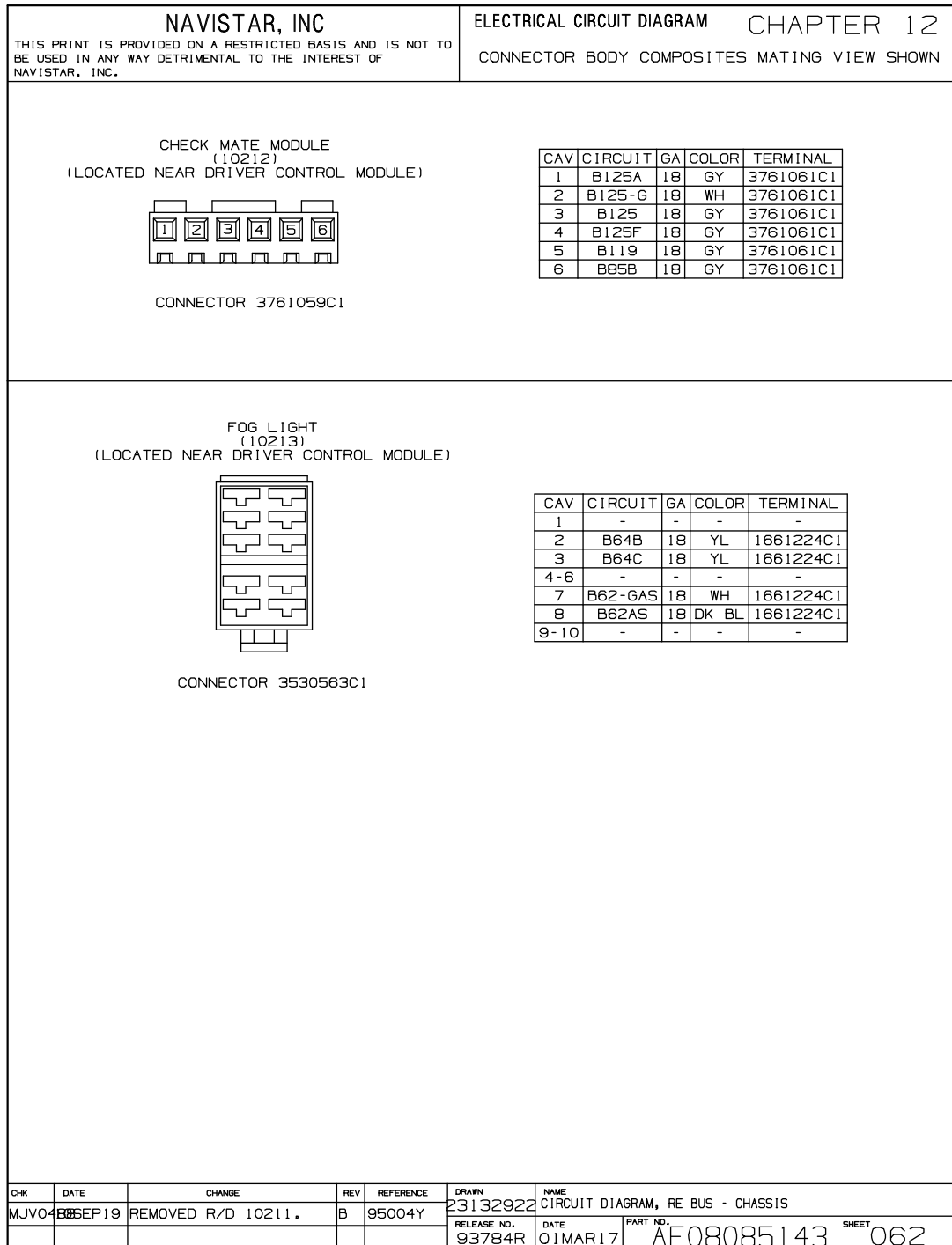


Figure 177 Connector Body Composites (10212, 10213)

12.67. CONNECTOR BODY COMPOSITES (10214D, 10214L, 10215, 10216), P. 63

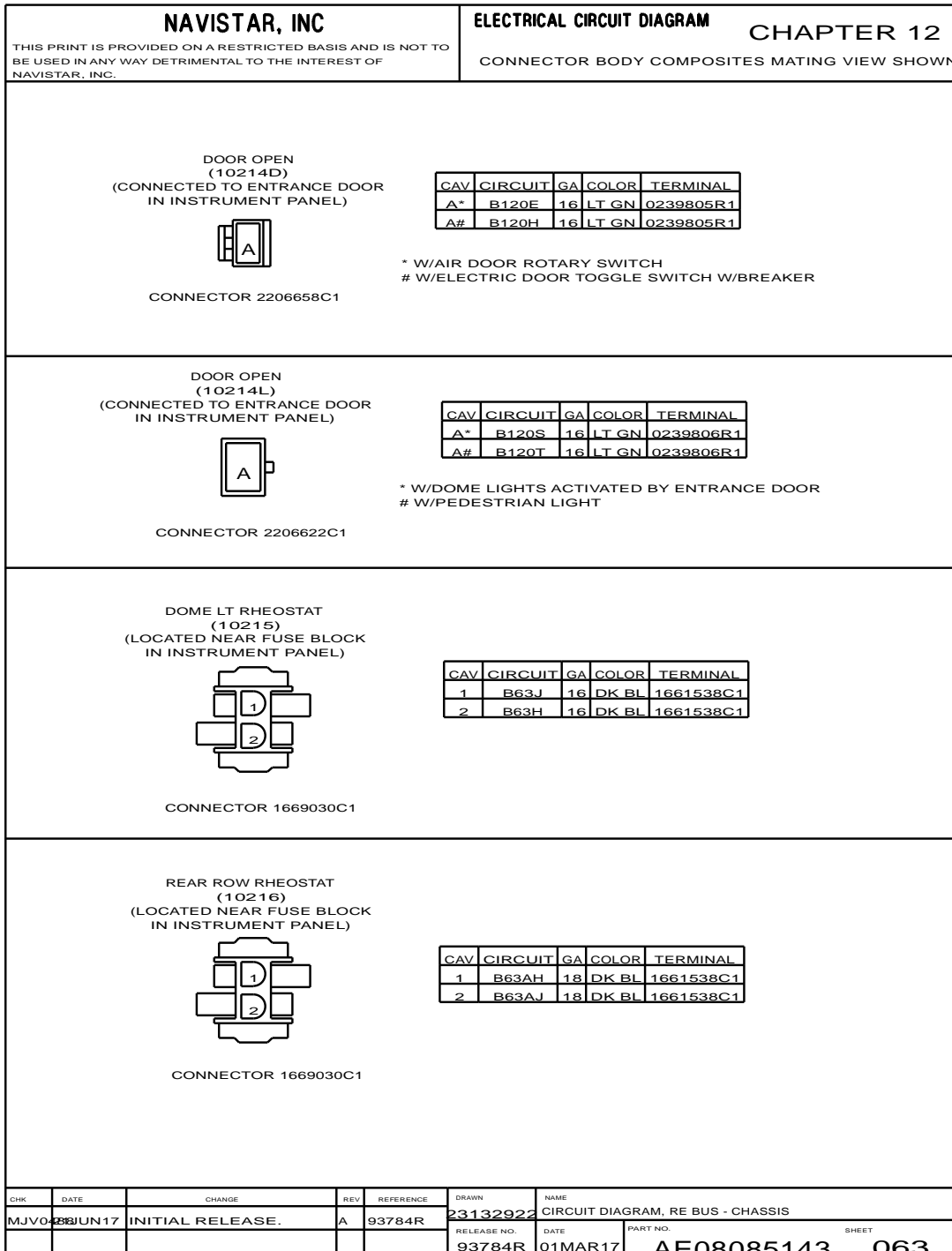


Figure 178 Connector Body Composites (10214D, 10214L, 10215, 10216)

12.68. CONNECTOR BODY COMPOSITES (10217, 10218, 10219), P. 64

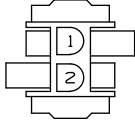
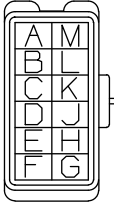
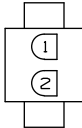
NAVISTAR, INC <small>THIS PRINT IS PROVIDED ON A RESTRICTED BASIS AND IS NOT TO BE USED IN ANY WAY DETRIMENTAL TO THE INTEREST OF NAVISTAR, INC.</small>				ELECTRICAL CIRCUIT DIAGRAM CHAPTER 12 CONNECTOR BODY COMPOSITES MATING VIEW SHOWN																																																																									
DRIVER RHEOSTAT (10217) (LOCATED NEAR FUSE BLOCK IN INSTRUMENT PANEL)				<table border="1" style="width:100%; border-collapse: collapse;"> <thead> <tr> <th>CAV</th> <th>CIRCUIT</th> <th>GA</th> <th>COLOR</th> <th>TERMINAL</th> </tr> </thead> <tbody> <tr> <td>1*</td> <td>B63AL</td> <td>18</td> <td>DK BL</td> <td>1661538C1</td> </tr> <tr> <td>1#</td> <td>B63AL</td> <td>16</td> <td>DK BL</td> <td>1661538C1</td> </tr> <tr> <td>2</td> <td>B63AM</td> <td>18</td> <td>DK BL</td> <td>1661538C1</td> </tr> </tbody> </table>		CAV	CIRCUIT	GA	COLOR	TERMINAL	1*	B63AL	18	DK BL	1661538C1	1#	B63AL	16	DK BL	1661538C1	2	B63AM	18	DK BL	1661538C1	* W/ DRIVERS DOME W/ RHEO OVERHEAD # W/ DRIVERS DOME W/ RHEO L SW PNL																																																			
CAV	CIRCUIT	GA	COLOR	TERMINAL																																																																									
1*	B63AL	18	DK BL	1661538C1																																																																									
1#	B63AL	16	DK BL	1661538C1																																																																									
2	B63AM	18	DK BL	1661538C1																																																																									
				CONNECTOR 1669030C1																																																																									
FLASHER CONTROL (10218) (LOCATED AT LEFT SIDE OF INSTRUMENT PANEL)				<table border="1" style="width:100%; border-collapse: collapse;"> <thead> <tr> <th>CAV</th> <th>CIRCUIT</th> <th>GA</th> <th>COLOR</th> <th>TERMINAL</th> </tr> </thead> <tbody> <tr> <td>A</td> <td>B123</td> <td>16</td> <td>GY</td> <td>3534165C1</td> </tr> <tr> <td>B*</td> <td>B123A</td> <td>16</td> <td>GY</td> <td>3534165C1</td> </tr> <tr> <td>B#</td> <td>B123J</td> <td>16</td> <td>GY</td> <td>3534165C1</td> </tr> <tr> <td>C</td> <td>B123C</td> <td>16</td> <td>GY</td> <td>3534165C1</td> </tr> <tr> <td>D</td> <td>B123H</td> <td>16</td> <td>GY</td> <td>3534165C1</td> </tr> <tr> <td>E</td> <td>-</td> <td>-</td> <td>-</td> <td>-</td> </tr> <tr> <td>F</td> <td>-</td> <td>-</td> <td>-</td> <td>-</td> </tr> <tr> <td>G</td> <td>B123R</td> <td>16</td> <td>GY</td> <td>3534165C1</td> </tr> <tr> <td>H</td> <td>B123S</td> <td>16</td> <td>GY</td> <td>3534165C1</td> </tr> <tr> <td>J</td> <td>B123P</td> <td>16</td> <td>GY</td> <td>3534165C1</td> </tr> <tr> <td>K</td> <td>B123F</td> <td>16</td> <td>GY</td> <td>3534165C1</td> </tr> <tr> <td>L</td> <td>-</td> <td>-</td> <td>-</td> <td>-</td> </tr> <tr> <td>M</td> <td>-</td> <td>-</td> <td>-</td> <td>-</td> </tr> </tbody> </table>		CAV	CIRCUIT	GA	COLOR	TERMINAL	A	B123	16	GY	3534165C1	B*	B123A	16	GY	3534165C1	B#	B123J	16	GY	3534165C1	C	B123C	16	GY	3534165C1	D	B123H	16	GY	3534165C1	E	-	-	-	-	F	-	-	-	-	G	B123R	16	GY	3534165C1	H	B123S	16	GY	3534165C1	J	B123P	16	GY	3534165C1	K	B123F	16	GY	3534165C1	L	-	-	-	-	M	-	-	-	-	* W/ MASTER FLASHER OMIT N/ CANCEL # W/ FLASHER CANCEL PWR N/ MSTR DISC	
CAV	CIRCUIT	GA	COLOR	TERMINAL																																																																									
A	B123	16	GY	3534165C1																																																																									
B*	B123A	16	GY	3534165C1																																																																									
B#	B123J	16	GY	3534165C1																																																																									
C	B123C	16	GY	3534165C1																																																																									
D	B123H	16	GY	3534165C1																																																																									
E	-	-	-	-																																																																									
F	-	-	-	-																																																																									
G	B123R	16	GY	3534165C1																																																																									
H	B123S	16	GY	3534165C1																																																																									
J	B123P	16	GY	3534165C1																																																																									
K	B123F	16	GY	3534165C1																																																																									
L	-	-	-	-																																																																									
M	-	-	-	-																																																																									
				CONNECTOR 3700745C1 BOSSY LOCK 3700749C1																																																																									
STOP ARM SOLENOID (10219) (LOCATED NEAR DRIVER TOP)				<table border="1" style="width:100%; border-collapse: collapse;"> <thead> <tr> <th>CAV</th> <th>CIRCUIT</th> <th>GA</th> <th>COLOR</th> <th>TERMINAL</th> </tr> </thead> <tbody> <tr> <td>1*</td> <td>B119E</td> <td>18</td> <td>GY</td> <td>1661539C1</td> </tr> <tr> <td>1#</td> <td>B119E</td> <td>16</td> <td>GY</td> <td>1661539C1</td> </tr> <tr> <td>1&</td> <td>B119ZE</td> <td>18</td> <td>GY</td> <td>1661539C1</td> </tr> <tr> <td>2&</td> <td>B119-GY</td> <td>18</td> <td>WH</td> <td>1661539C1</td> </tr> <tr> <td>2*</td> <td>B119-GE</td> <td>18</td> <td>WH</td> <td>1661539C1</td> </tr> </tbody> </table>		CAV	CIRCUIT	GA	COLOR	TERMINAL	1*	B119E	18	GY	1661539C1	1#	B119E	16	GY	1661539C1	1&	B119ZE	18	GY	1661539C1	2&	B119-GY	18	WH	1661539C1	2*	B119-GE	18	WH	1661539C1	* W/ STOP ARM EXTEND N/CANCEL # W/ STOP ARM W/ CANCEL OVERHEAD & W/ STOP ARM N/CANCEL W/ZONAR																																									
CAV	CIRCUIT	GA	COLOR	TERMINAL																																																																									
1*	B119E	18	GY	1661539C1																																																																									
1#	B119E	16	GY	1661539C1																																																																									
1&	B119ZE	18	GY	1661539C1																																																																									
2&	B119-GY	18	WH	1661539C1																																																																									
2*	B119-GE	18	WH	1661539C1																																																																									
				CONNECTOR 1669029C1																																																																									
CHK	DATE	CHANGE	REV	REFERENCE	DRAWN	NAME																																																																							
MJVO	28SEP19	ADDED CIRC B119ZE,	B	95004Y	23132922	CIRCUIT DIAGRAM, RE BUS - CHASSIS																																																																							
	B119-GY	AT R/D 10219.			RELEASE NO.	DATE	PART NO. SHEET																																																																						
					93784R	01MAR17	AE08085143 064																																																																						

Figure 179 Connector Body Composites (10217, 10218, 10219)

12.69. CONNECTOR BODY COMPOSITES (10220, 10221, 10224), P. 65

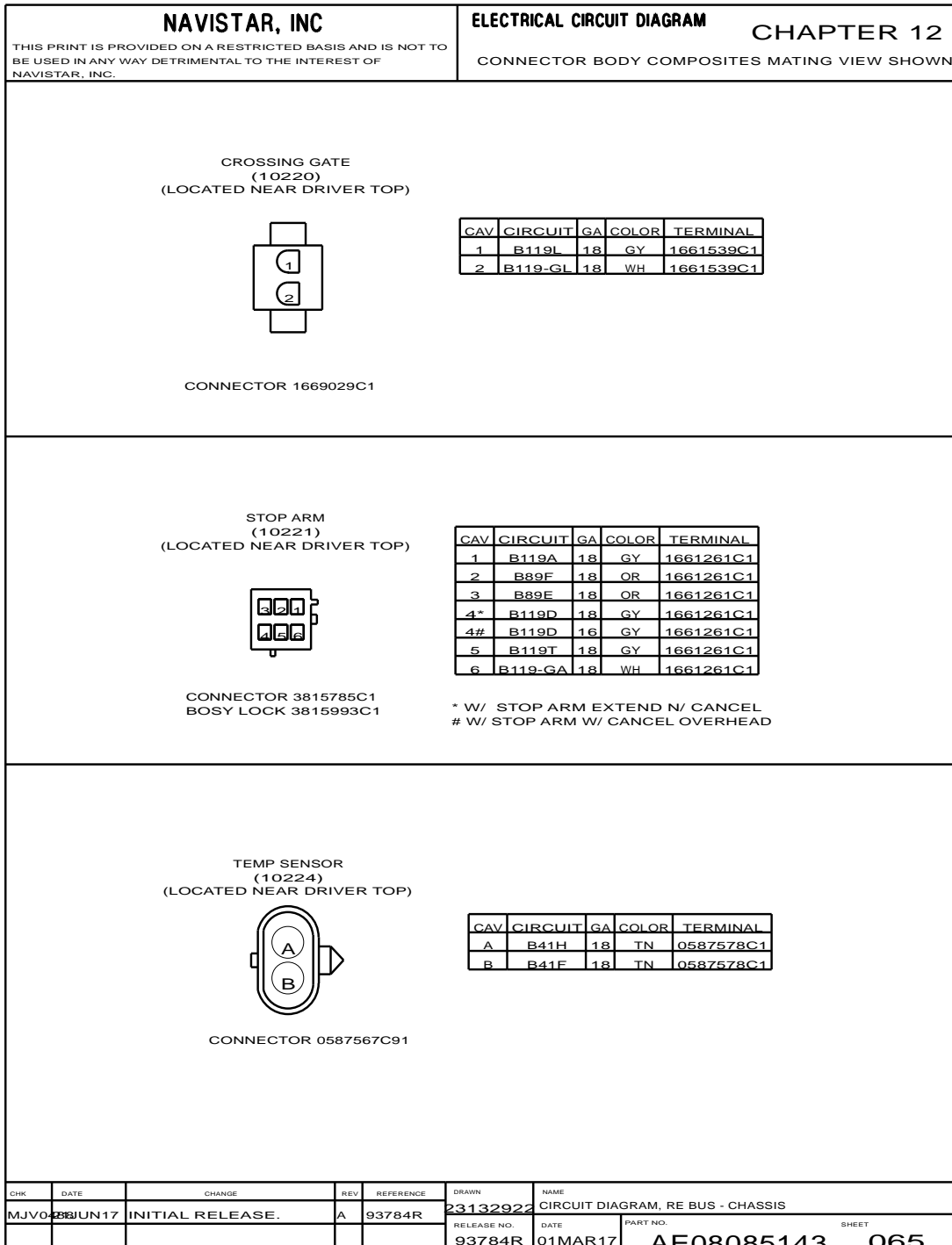


Figure 180 Connector Body Composites (10220, 10221, 10224)

12.70. CONNECTOR BODY COMPOSITES (10226), P. 66

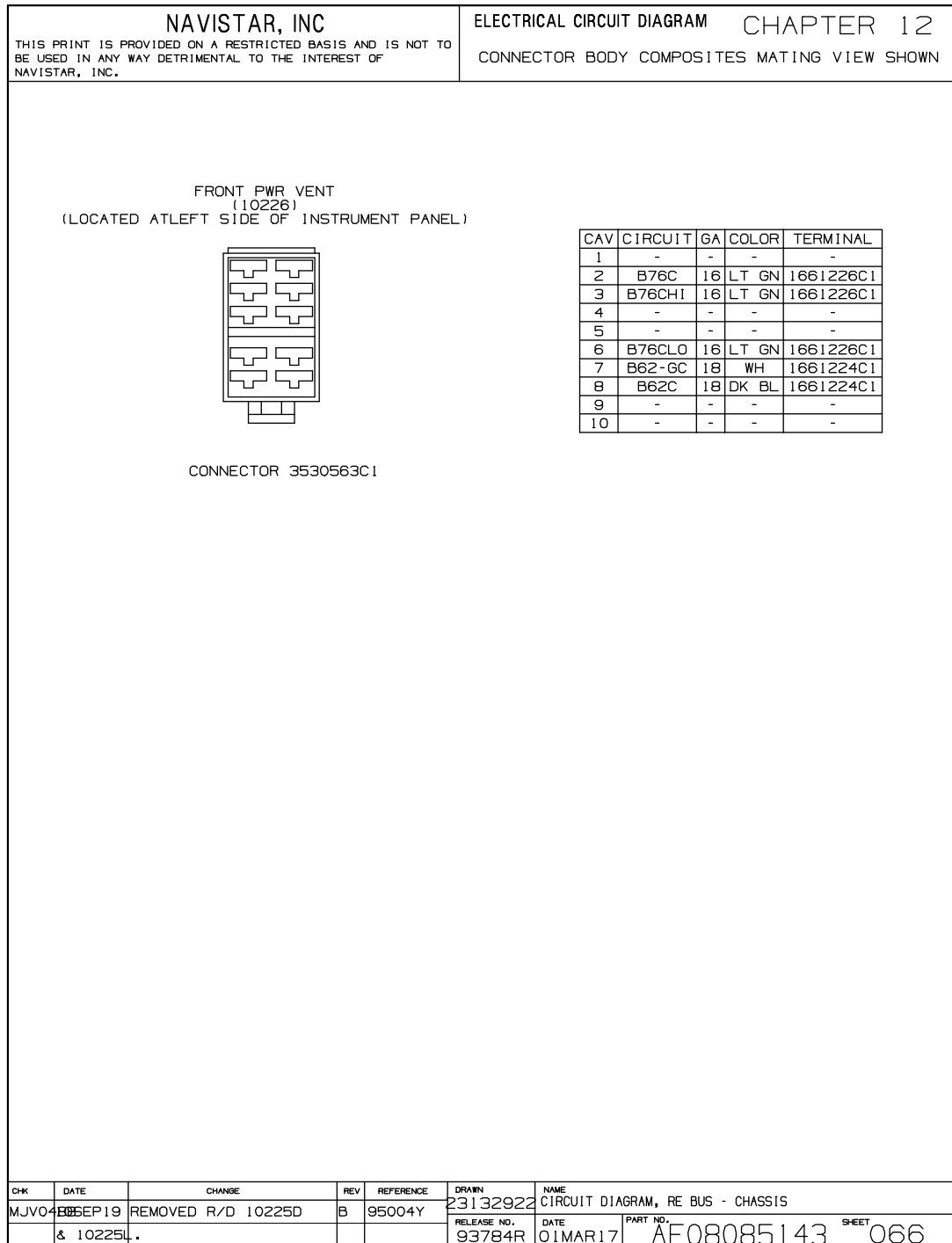


Figure 181 Connector Body Composites (10226)

12.71. CONNECTOR BODY COMPOSITES (10227, 10228), P. 67

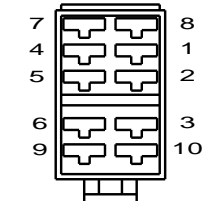
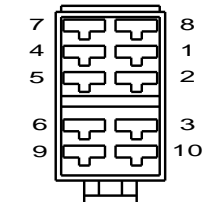
<p style="text-align: center;">NAVISTAR, INC</p> <p style="font-size: small;">THIS PRINT IS PROVIDED ON A RESTRICTED BASIS AND IS NOT TO BE USED IN ANY WAY DETRIMENTAL TO THE INTEREST OF NAVISTAR, INC.</p>	<p style="text-align: center;">ELECTRICAL CIRCUIT DIAGRAM</p> <p style="text-align: right;">CHAPTER 12</p> <p style="text-align: center;">CONNECTOR BODY COMPOSITES MATING VIEW SHOWN</p>																																																							
<p style="text-align: center;">REAR PWR VENT (10227) (LOCATED AT LEFT SIDE OF INSTRUMENT PANEL)</p>  <p style="text-align: center;">CONNECTOR 3530563C1</p>	<table border="1" style="width: 100%; border-collapse: collapse; font-size: x-small;"> <thead> <tr> <th>CAV</th> <th>CIRCUIT</th> <th>GA</th> <th>COLOR</th> <th>TERMINAL</th> </tr> </thead> <tbody> <tr><td>1</td><td>-</td><td>-</td><td>-</td><td>-</td></tr> <tr><td>2</td><td>B76D</td><td>16</td><td>LTGN</td><td>1661226C1</td></tr> <tr><td>3</td><td>B76DHI</td><td>16</td><td>LTGN</td><td>1661226C1</td></tr> <tr><td>4</td><td>-</td><td>-</td><td>-</td><td>-</td></tr> <tr><td>5</td><td>-</td><td>-</td><td>-</td><td>-</td></tr> <tr><td>6</td><td>B76DLO</td><td>16</td><td>LTGN</td><td>1661226C1</td></tr> <tr><td>7</td><td>B62-GA</td><td>18</td><td>WH</td><td>1661224C1</td></tr> <tr><td>8</td><td>B62A</td><td>18</td><td>DKBL</td><td>1661224C1</td></tr> <tr><td>9</td><td>-</td><td>-</td><td>-</td><td>-</td></tr> <tr><td>10</td><td>-</td><td>-</td><td>-</td><td>-</td></tr> </tbody> </table>	CAV	CIRCUIT	GA	COLOR	TERMINAL	1	-	-	-	-	2	B76D	16	LTGN	1661226C1	3	B76DHI	16	LTGN	1661226C1	4	-	-	-	-	5	-	-	-	-	6	B76DLO	16	LTGN	1661226C1	7	B62-GA	18	WH	1661224C1	8	B62A	18	DKBL	1661224C1	9	-	-	-	-	10	-	-	-	-
CAV	CIRCUIT	GA	COLOR	TERMINAL																																																				
1	-	-	-	-																																																				
2	B76D	16	LTGN	1661226C1																																																				
3	B76DHI	16	LTGN	1661226C1																																																				
4	-	-	-	-																																																				
5	-	-	-	-																																																				
6	B76DLO	16	LTGN	1661226C1																																																				
7	B62-GA	18	WH	1661224C1																																																				
8	B62A	18	DKBL	1661224C1																																																				
9	-	-	-	-																																																				
10	-	-	-	-																																																				
<p style="text-align: center;">BOTTOM STEP HEAT (10228) (LOCATED AT LEFT SIDE OF INSTRUMENT PANEL)</p>  <p style="text-align: center;">CONNECTOR 3530563C1</p>	<table border="1" style="width: 100%; border-collapse: collapse; font-size: x-small;"> <thead> <tr> <th>CAV</th> <th>CIRCUIT</th> <th>GA</th> <th>COLOR</th> <th>TERMINAL</th> </tr> </thead> <tbody> <tr><td>1</td><td>-</td><td>-</td><td>-</td><td>-</td></tr> <tr><td>2</td><td>B132D</td><td>18</td><td>GY</td><td>1661224C1</td></tr> <tr><td>3</td><td>B132B</td><td>18</td><td>GY</td><td>1661224C1</td></tr> <tr><td>4</td><td>-</td><td>-</td><td>-</td><td>-</td></tr> <tr><td>5</td><td>-</td><td>-</td><td>-</td><td>-</td></tr> <tr><td>6</td><td>-</td><td>-</td><td>-</td><td>-</td></tr> <tr><td>7</td><td>B62-GB</td><td>18</td><td>WH</td><td>1661224C1</td></tr> <tr><td>8</td><td>B62B</td><td>18</td><td>DKBL</td><td>1661224C1</td></tr> <tr><td>9</td><td>-</td><td>-</td><td>-</td><td>-</td></tr> <tr><td>10</td><td>-</td><td>-</td><td>-</td><td>-</td></tr> </tbody> </table>	CAV	CIRCUIT	GA	COLOR	TERMINAL	1	-	-	-	-	2	B132D	18	GY	1661224C1	3	B132B	18	GY	1661224C1	4	-	-	-	-	5	-	-	-	-	6	-	-	-	-	7	B62-GB	18	WH	1661224C1	8	B62B	18	DKBL	1661224C1	9	-	-	-	-	10	-	-	-	-
CAV	CIRCUIT	GA	COLOR	TERMINAL																																																				
1	-	-	-	-																																																				
2	B132D	18	GY	1661224C1																																																				
3	B132B	18	GY	1661224C1																																																				
4	-	-	-	-																																																				
5	-	-	-	-																																																				
6	-	-	-	-																																																				
7	B62-GB	18	WH	1661224C1																																																				
8	B62B	18	DKBL	1661224C1																																																				
9	-	-	-	-																																																				
10	-	-	-	-																																																				
<table border="1" style="width: 100%; border-collapse: collapse;"> <tr> <th>CHK</th> <th>DATE</th> <th>CHANGE</th> <th>REV</th> <th>REFERENCE</th> <th>DRAWN</th> <th>NAME</th> </tr> <tr> <td>MJVO</td> <td>03 JUN 17</td> <td>INITIAL RELEASE.</td> <td>A</td> <td>93784R</td> <td>23132922</td> <td>CIRCUIT DIAGRAM, RE BUS - CHASSIS</td> </tr> <tr> <td></td> <td></td> <td></td> <td></td> <td></td> <td>RELEASE NO.</td> <td>DATE</td> </tr> <tr> <td></td> <td></td> <td></td> <td></td> <td></td> <td>93784R</td> <td>01 MAR 17</td> </tr> <tr> <td></td> <td></td> <td></td> <td></td> <td></td> <td>PART NO.</td> <td>SHEET</td> </tr> <tr> <td></td> <td></td> <td></td> <td></td> <td></td> <td>AE08085143</td> <td>067</td> </tr> </table>		CHK	DATE	CHANGE	REV	REFERENCE	DRAWN	NAME	MJVO	03 JUN 17	INITIAL RELEASE.	A	93784R	23132922	CIRCUIT DIAGRAM, RE BUS - CHASSIS						RELEASE NO.	DATE						93784R	01 MAR 17						PART NO.	SHEET						AE08085143	067													
CHK	DATE	CHANGE	REV	REFERENCE	DRAWN	NAME																																																		
MJVO	03 JUN 17	INITIAL RELEASE.	A	93784R	23132922	CIRCUIT DIAGRAM, RE BUS - CHASSIS																																																		
					RELEASE NO.	DATE																																																		
					93784R	01 MAR 17																																																		
					PART NO.	SHEET																																																		
					AE08085143	067																																																		

Figure 182 Connector Body Composites (10227, 10228)

12.72. CONNECTOR BODY COMPOSITES (10229, 10230A), P. 68

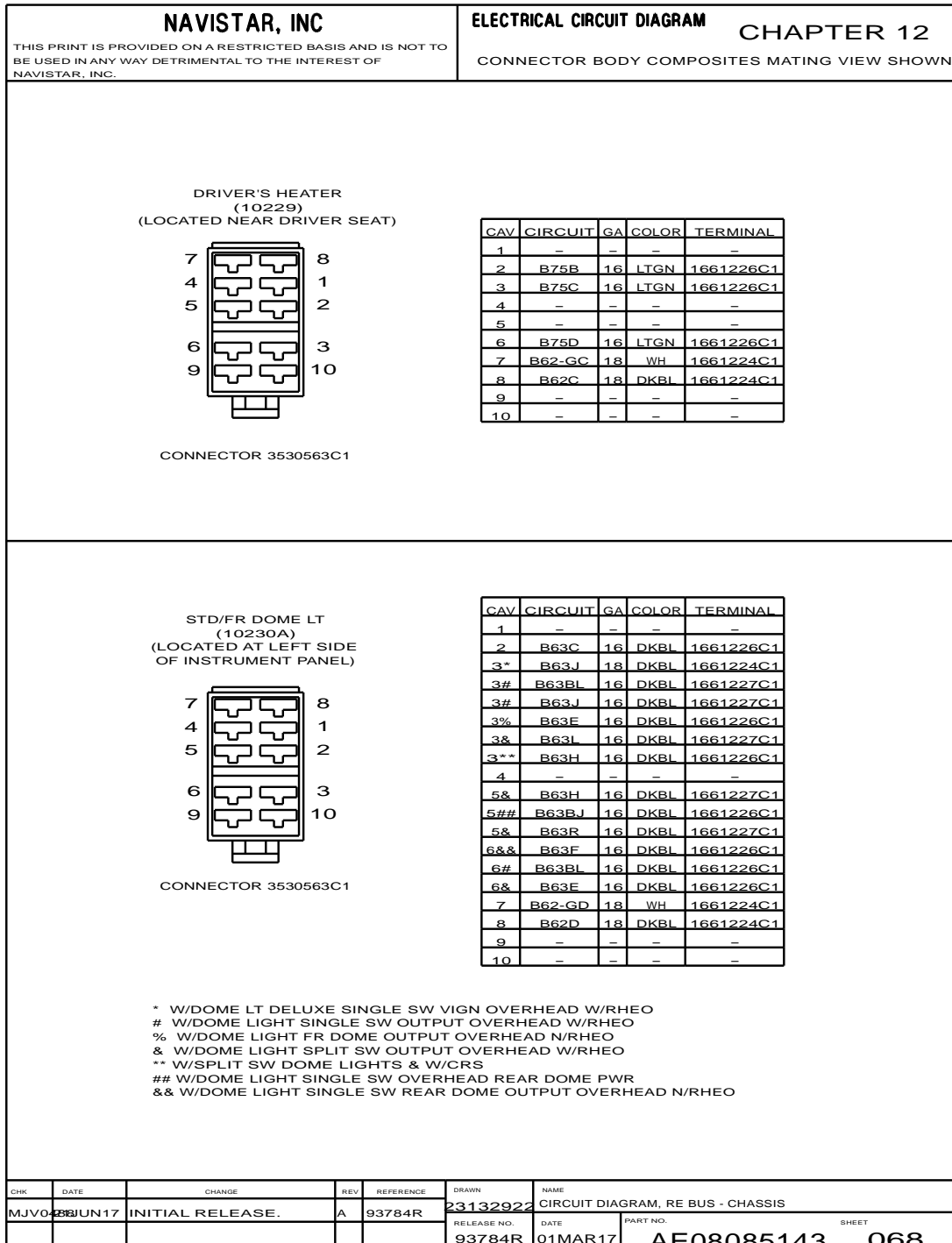


Figure 183 Connector Body Composites (10229, 10230A)

12.73. CONNECTOR BODY COMPOSITES (10230B, 10231A), P. 69

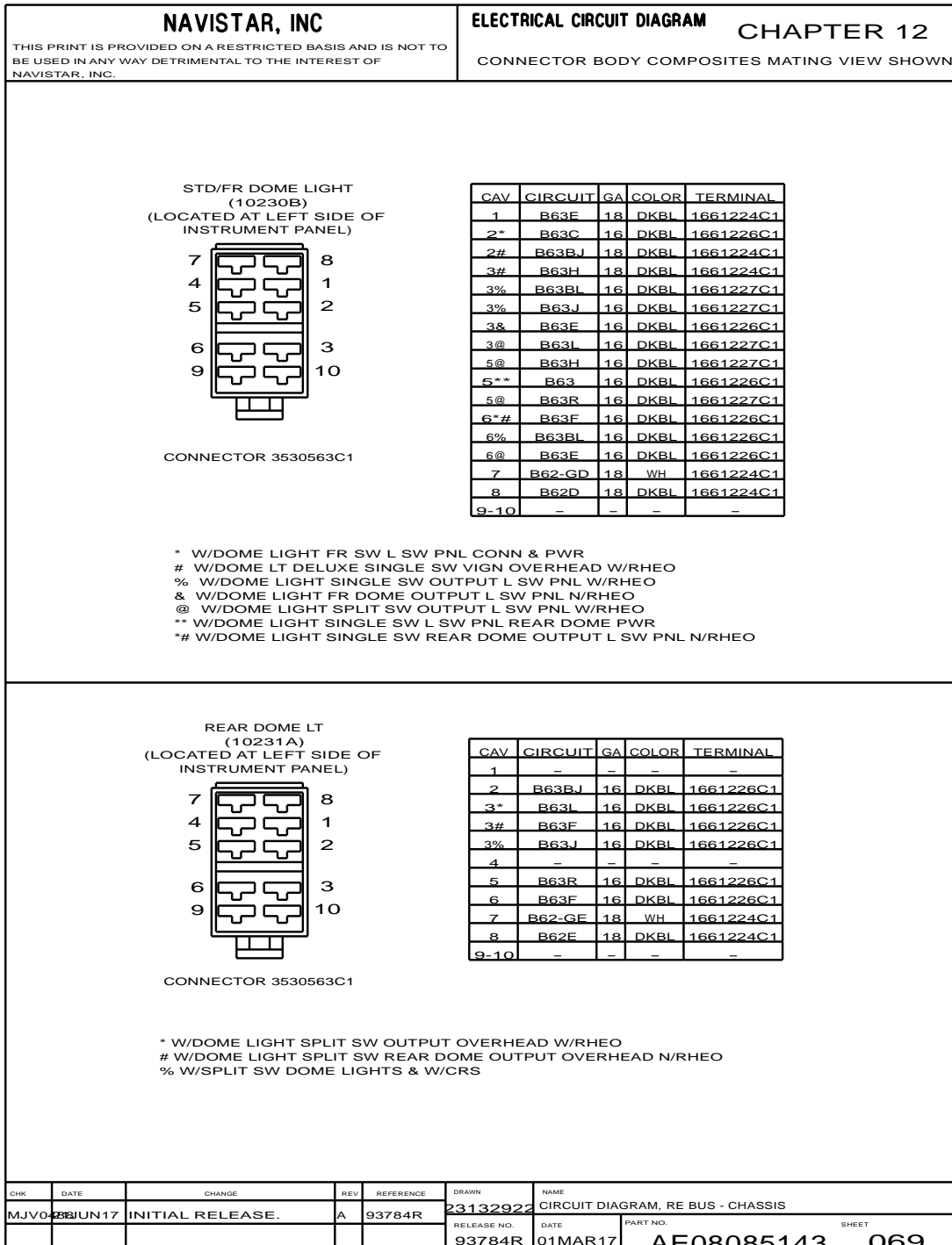


Figure 184 Connector Body Composites (10230B, 10231A)

12.74. CONNECTOR BODY COMPOSITES (10231B, 10232A, 10232B), P. 70

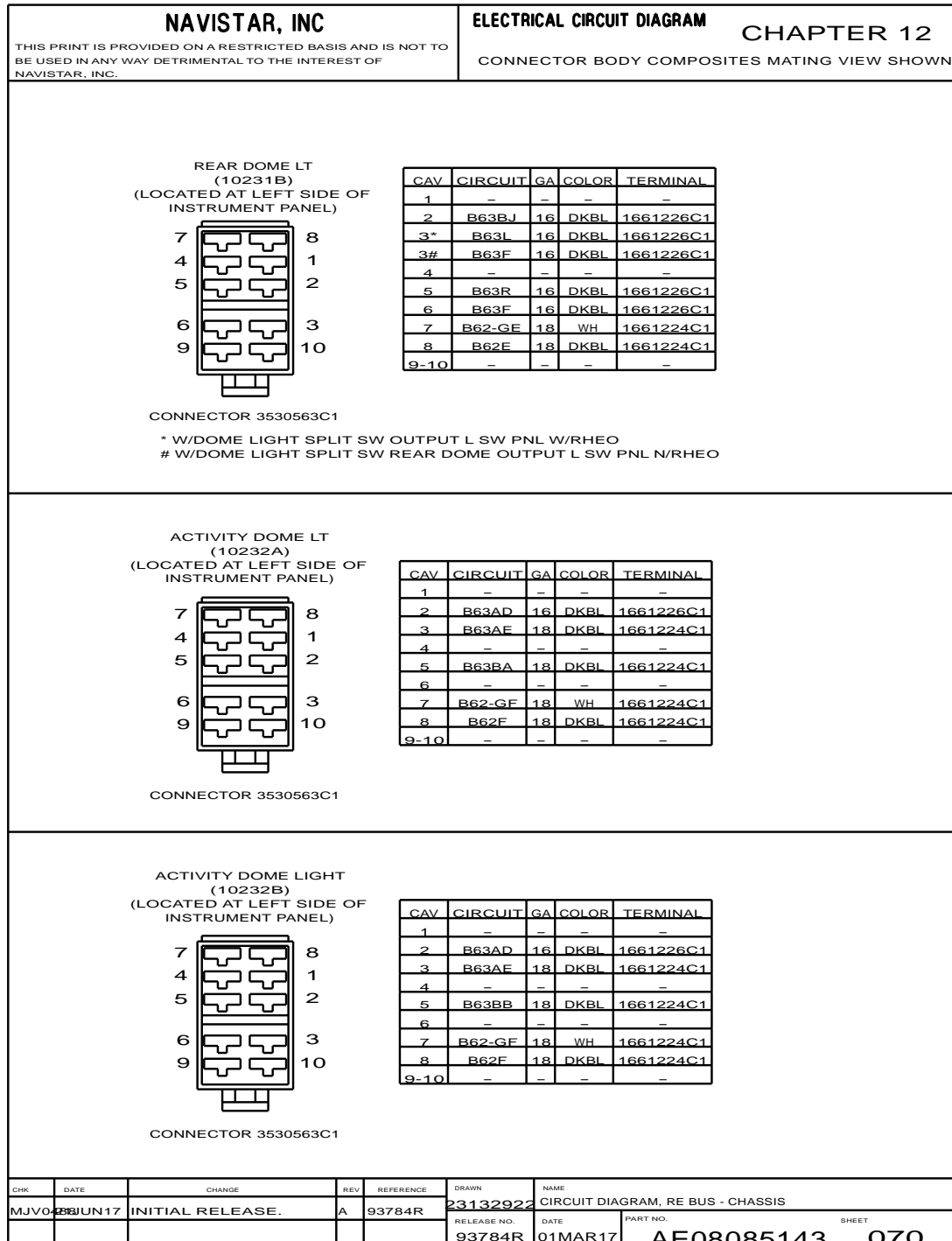


Figure 185 Connector Body Composites (10231B, 10232A, 10232B)

12.75. CONNECTOR BODY COMPOSITES (10233A, 10233B, 10234A), P. 71

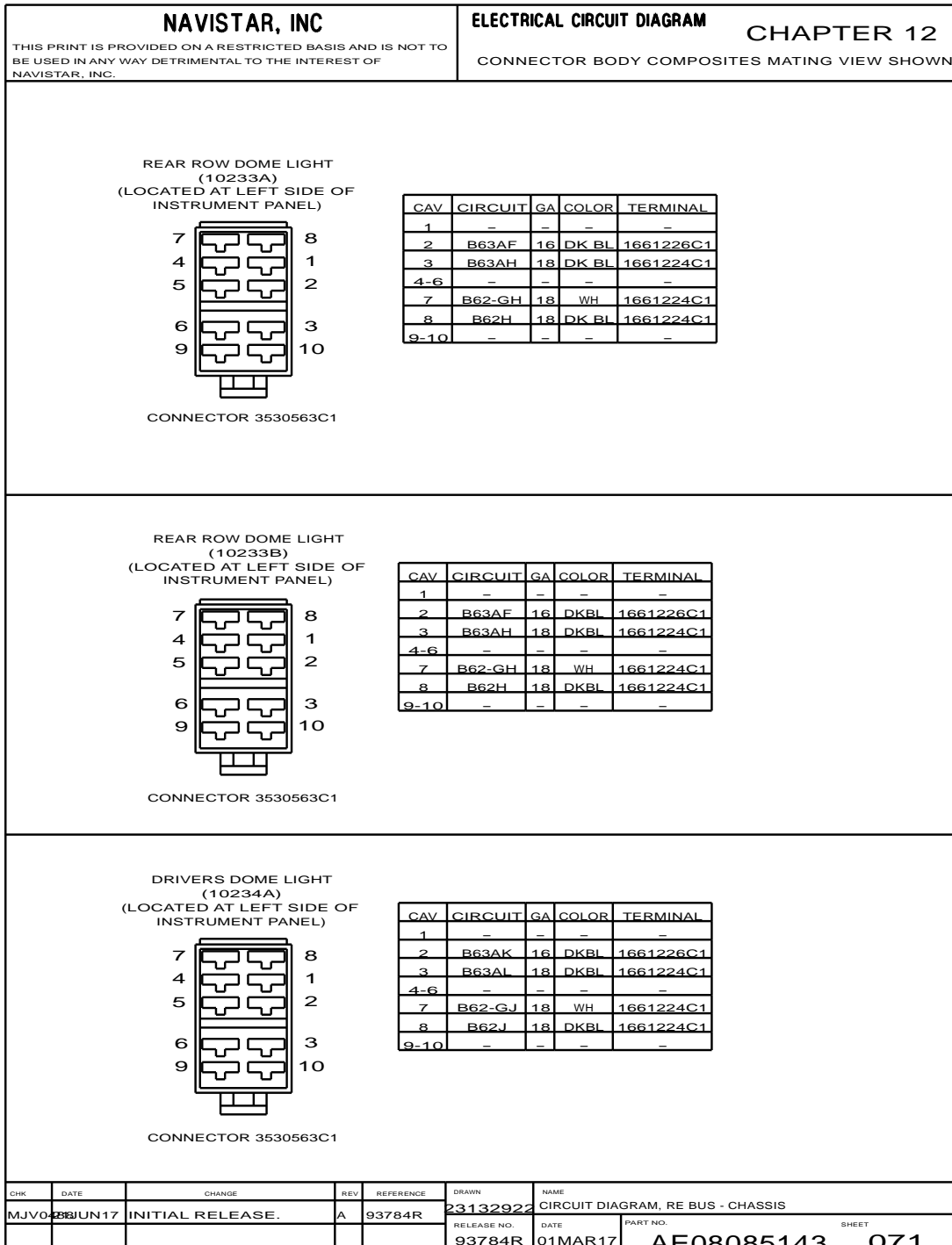


Figure 186 Connector Body Composites (10233A, 10233B, 10234A)

12.76. CONNECTOR BODY COMPOSITES (10234B, 10235, 10236), P. 72

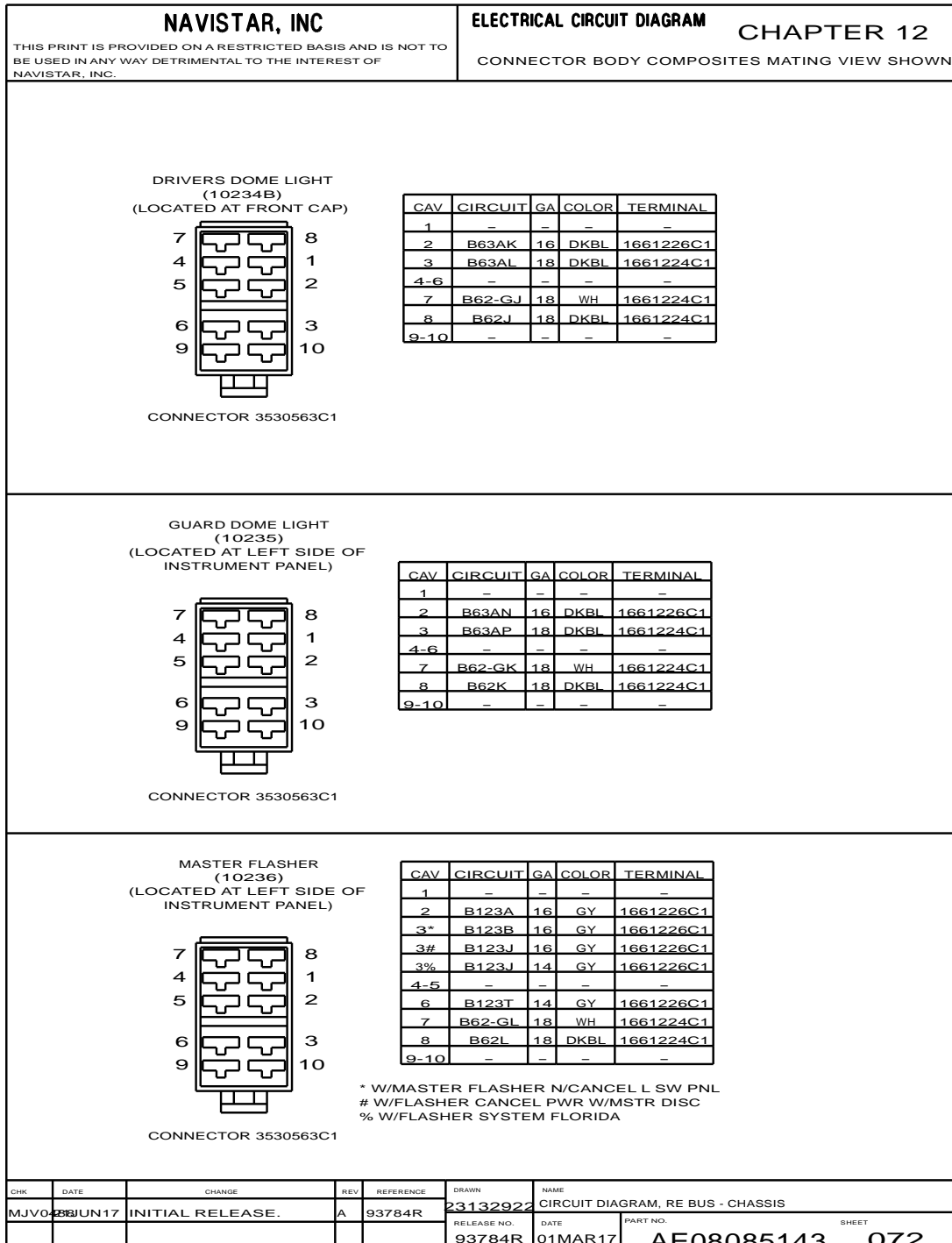


Figure 187 Connector Body Composites (10234B, 10235, 10236)

12.77. CONNECTOR BODY COMPOSITES (10237, 10238, 10239), P. 73

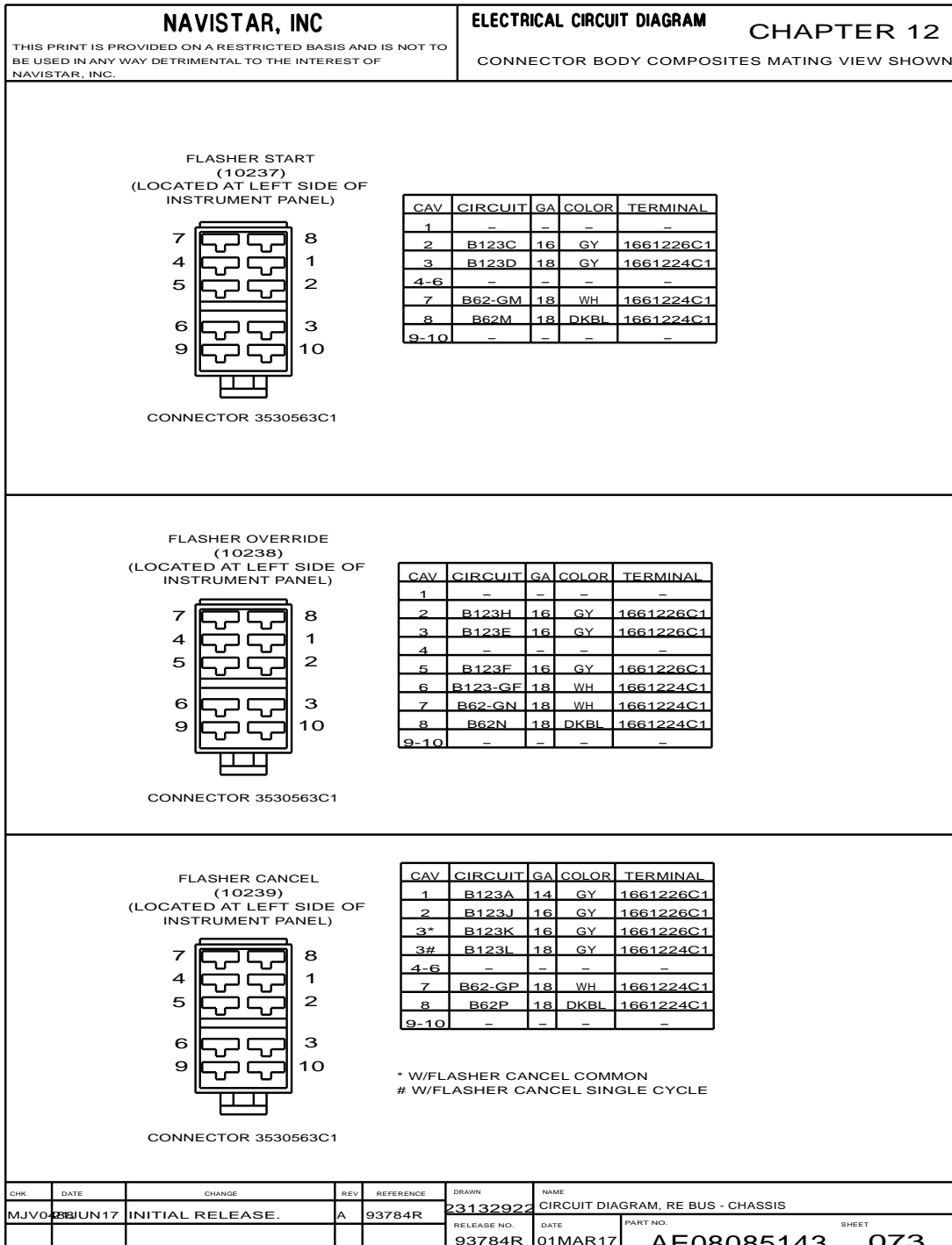


Figure 188 Connector Body Composites (10237, 10238, 10239)

12.78. CONNECTOR BODY COMPOSITES (10240, 10241A, 10241B), P. 74

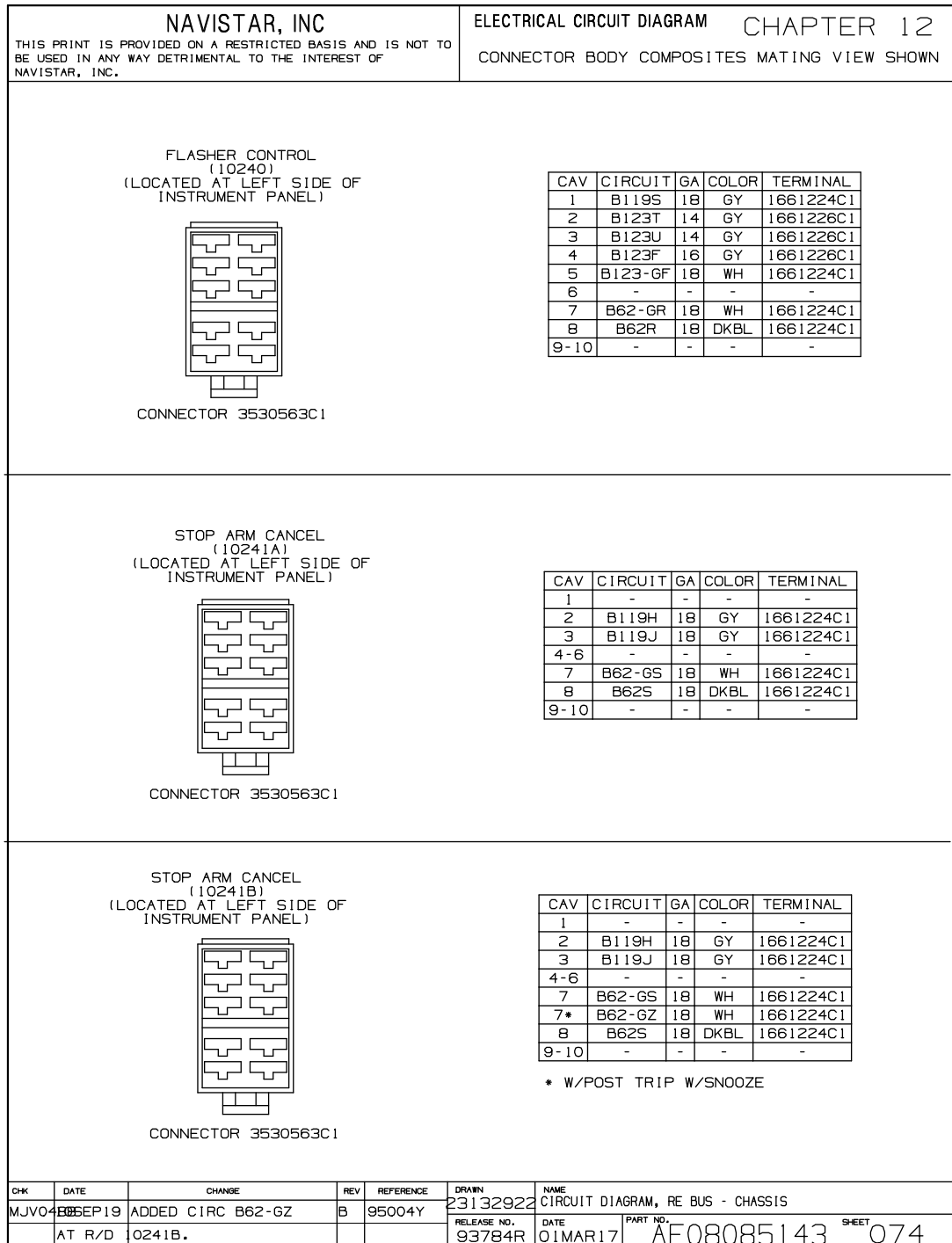


Figure 189 Connector Body Composites (10240, 10241A, 10241B)

12.79. CONNECTOR BODY COMPOSITES (10242, 10243, 10243B), P. 75

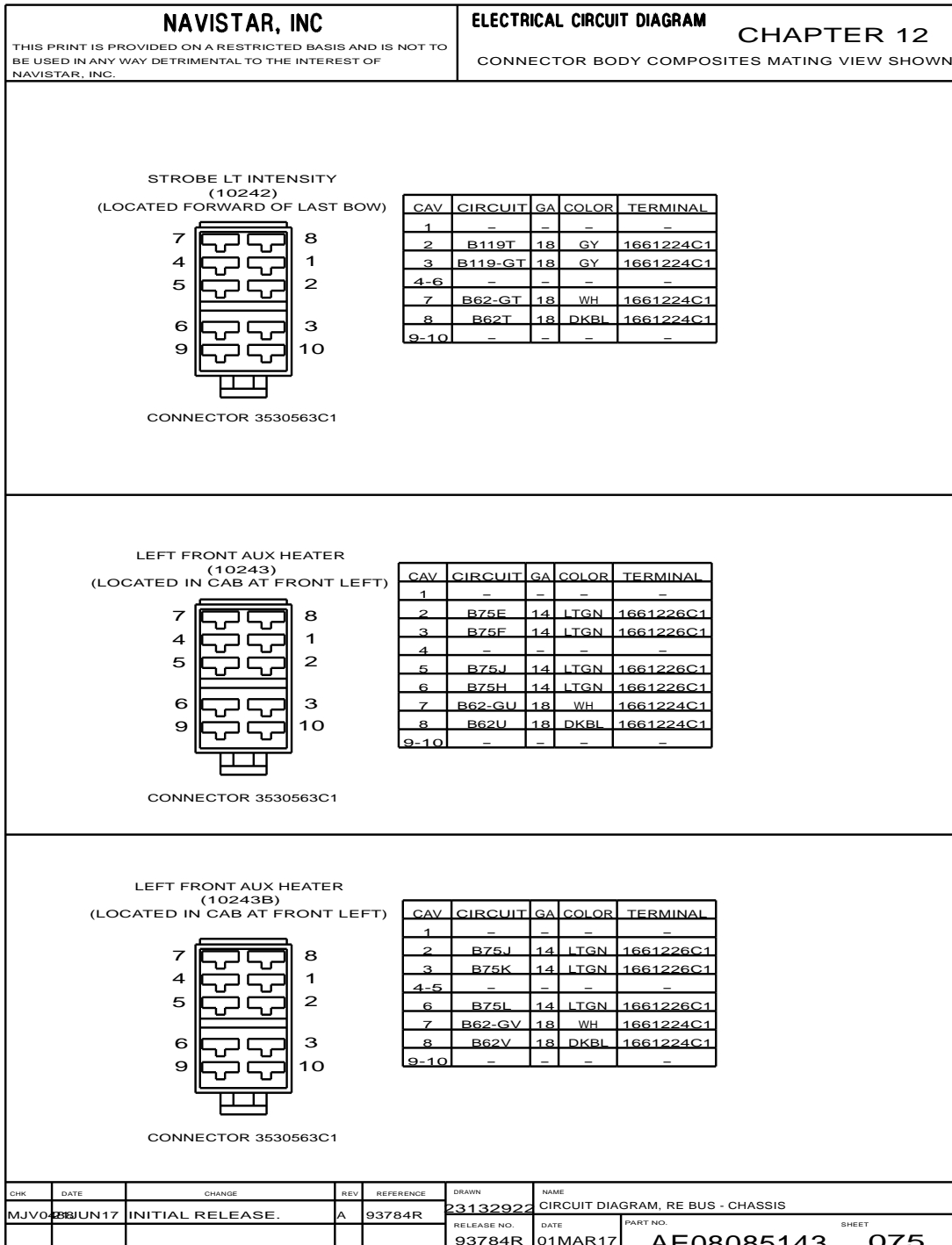


Figure 190 Connector Body Composites (10242, 10243, 10243B)

12.80. CONNECTOR BODY COMPOSITES (10244, 10244B, 10245), P. 76

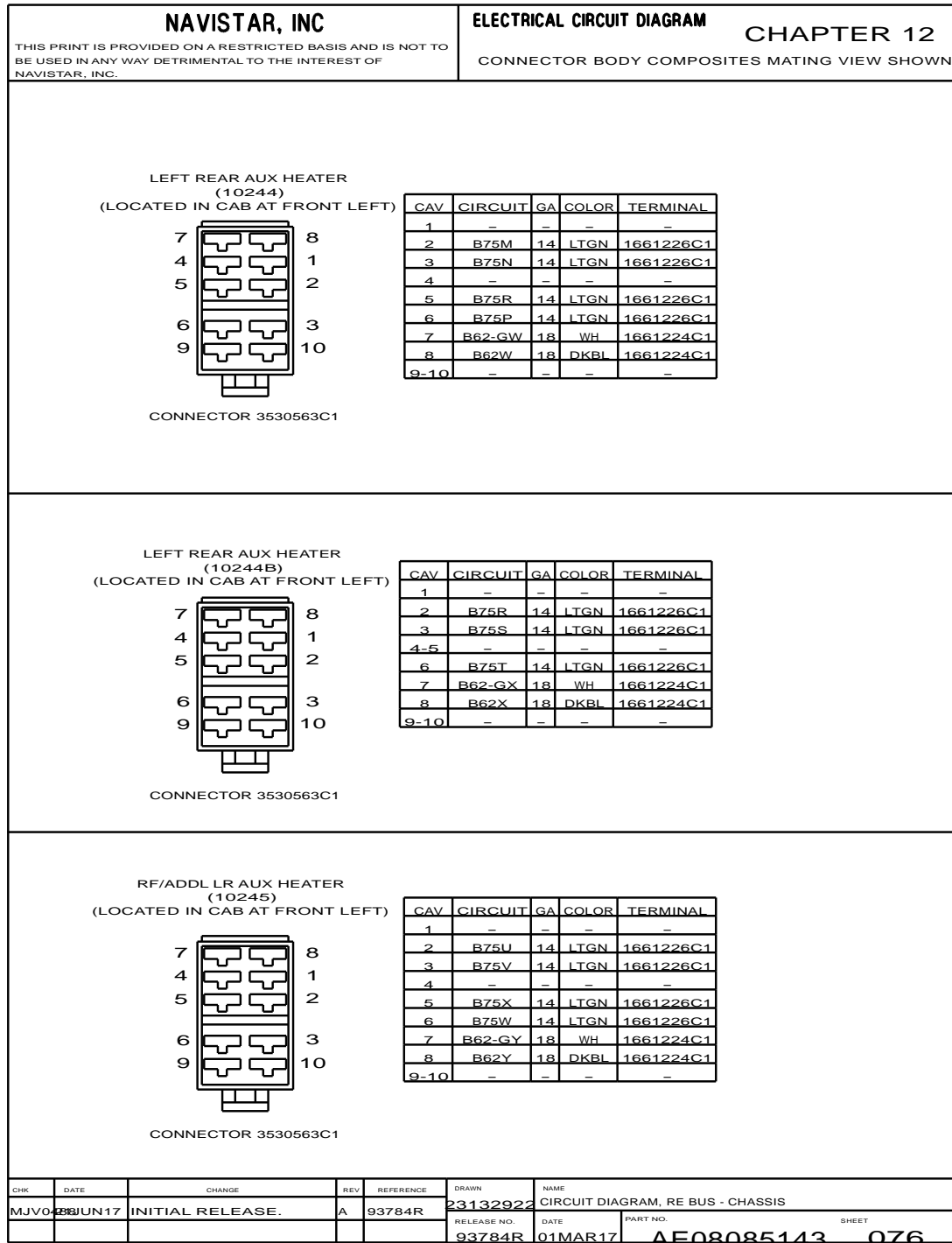


Figure 191 Connector Body Composites

12.81. CONNECTOR BODY COMPOSITES (10245B, 10246, 10246B), P. 77

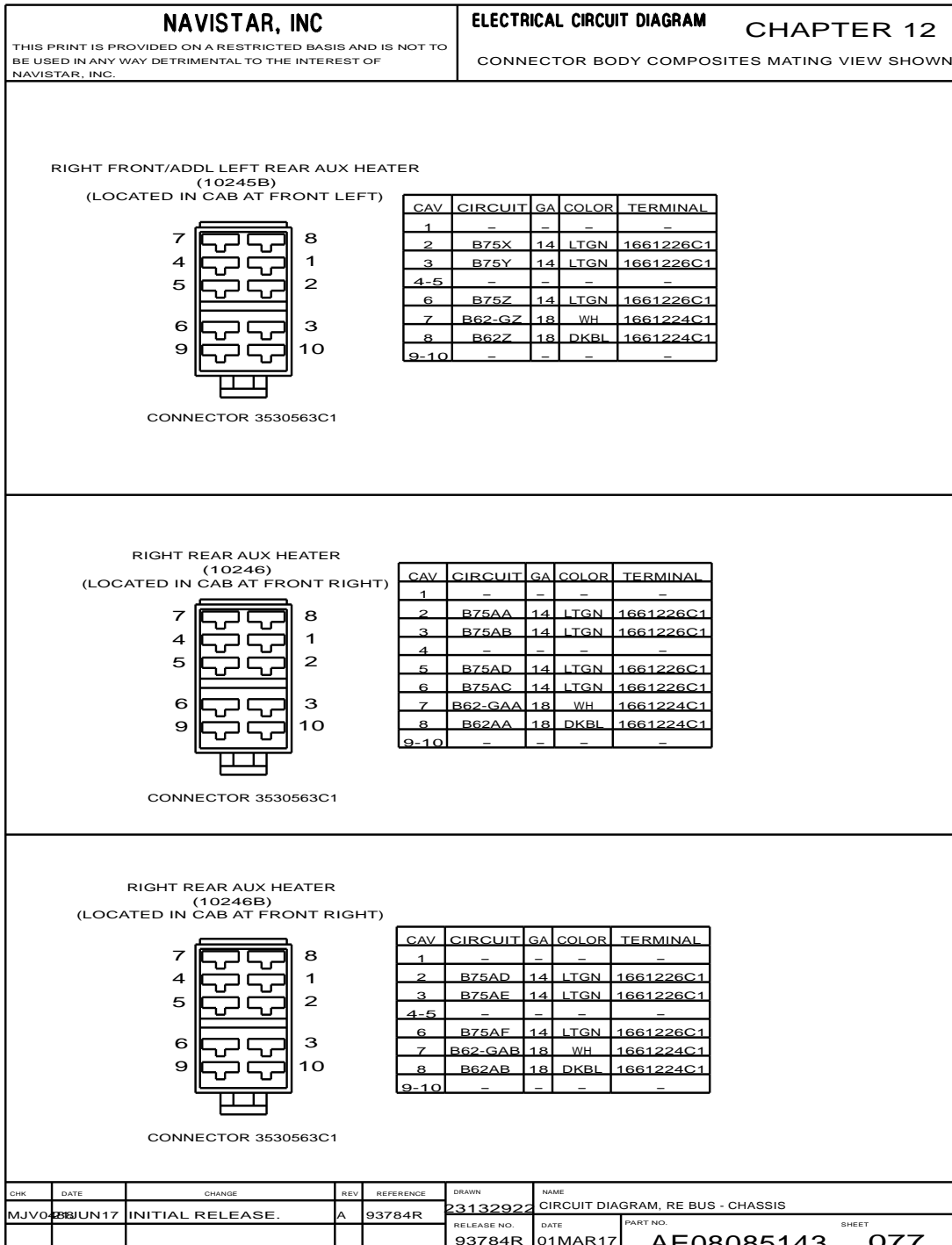


Figure 192 Connector Body Composites (10245B, 10246, 10246B)

12.82. CONNECTOR BODY COMPOSITES (10247, 10248, 10249, 10250), P. 78

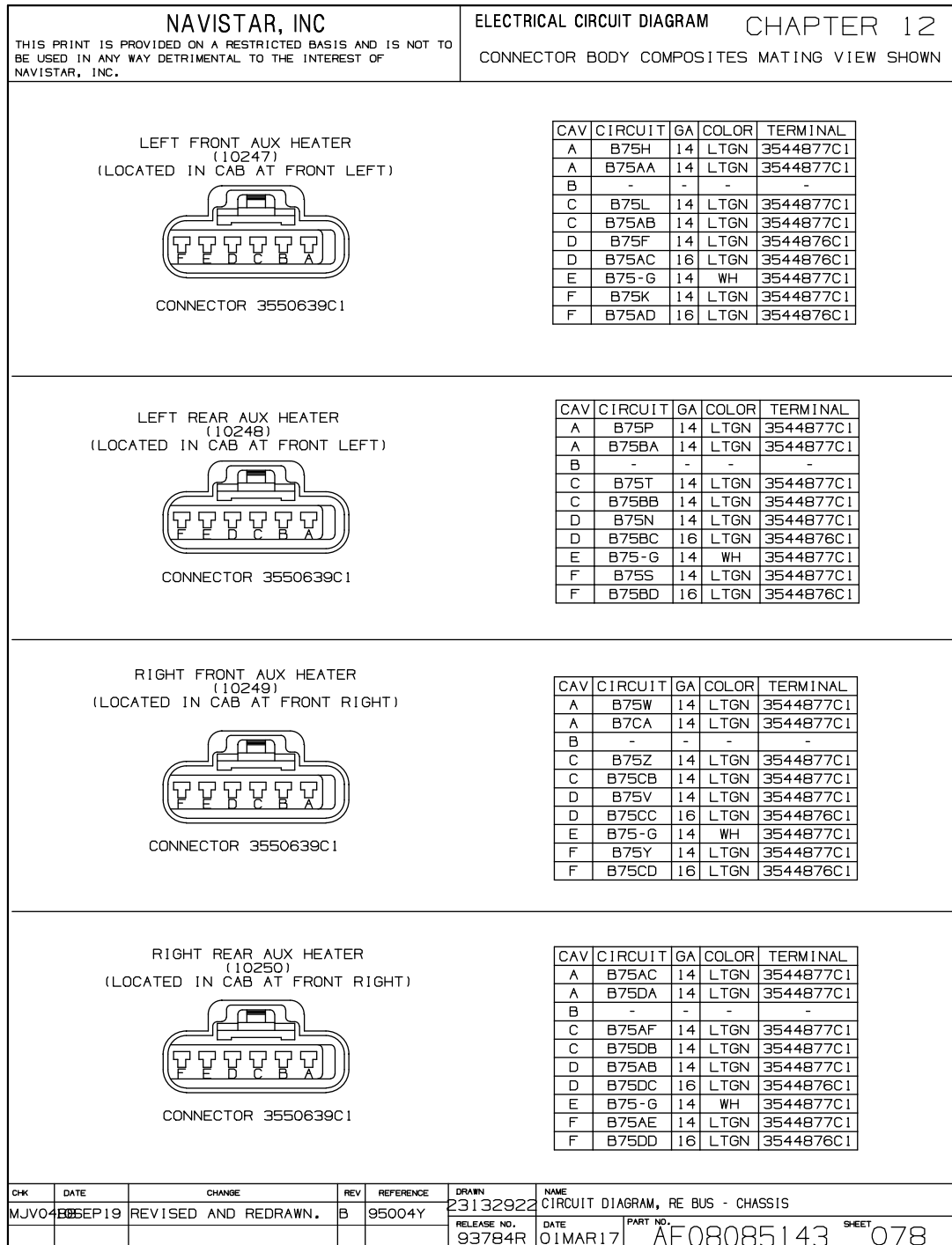


Figure 193 Connector Body Composites (10247, 10248, 10249, 10250)

12.83. CONNECTOR BODY COMPOSITES (10252, 10253, 10254, 10255), P. 79

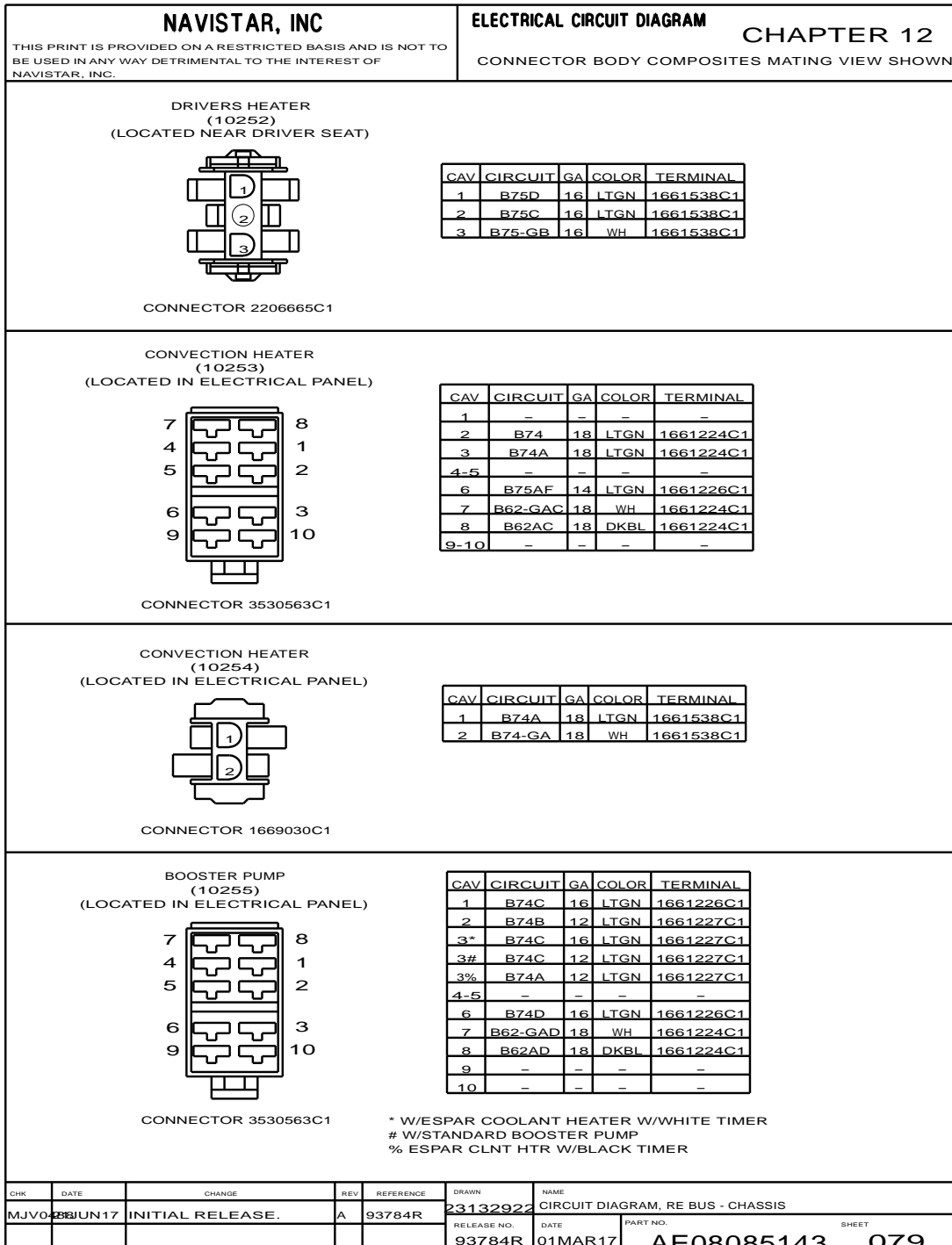


Figure 194 Connector Body Composites (10252, 10253, 10254, 10255)

12.84. CONNECTOR BODY COMPOSITES (10256, 10257, 10259), P. 80

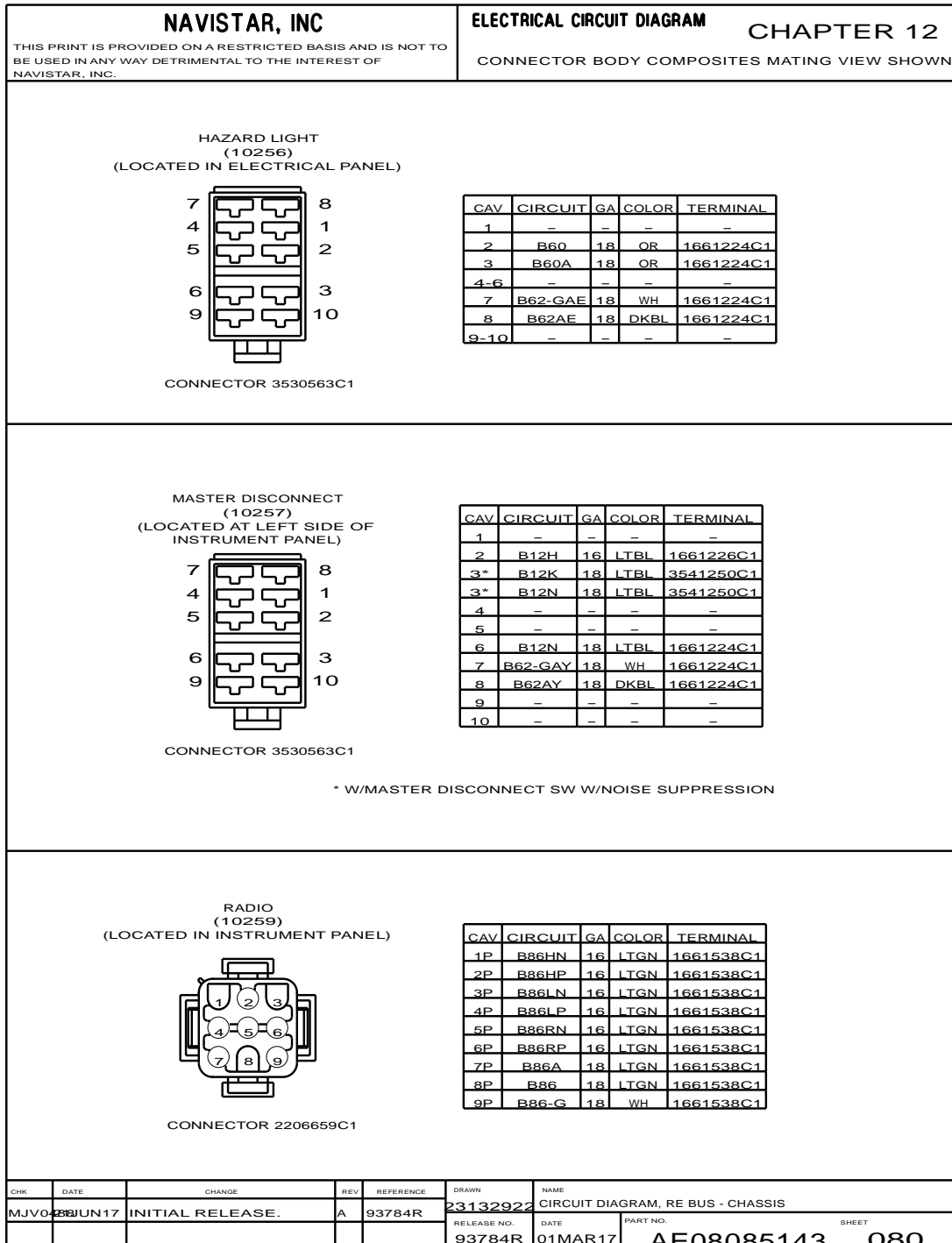


Figure 195 Connector Body Composites (10256, 10257, 10259)

12.85. CONNECTOR BODY COMPOSITES (10264, 10267, 10268), P. 81

The file doesn't exist

P:\SERV_PUBS\ARBORTXT\ISIS\Circuit Diagram Manuals\!LATEST\0000019442 RE Bus Chassis\R3\gr

Figure 196 Connector Body Composites (10264, 10267, 10268)

12.86. CONNECTOR BODY COMPOSITES (10269, 10270A, 10270B), P. 82

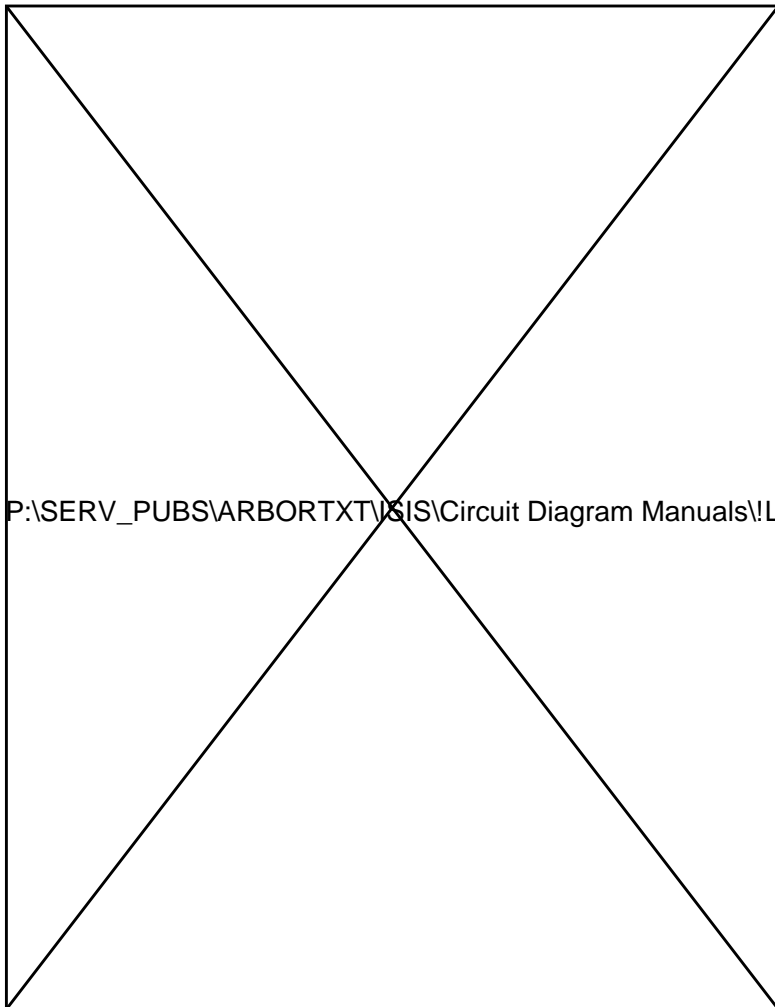


Figure 197 Connector Body Composites (10269, 10270A, 10270B)

12.87. CONNECTOR BODY COMPOSITES (10275), P. 83

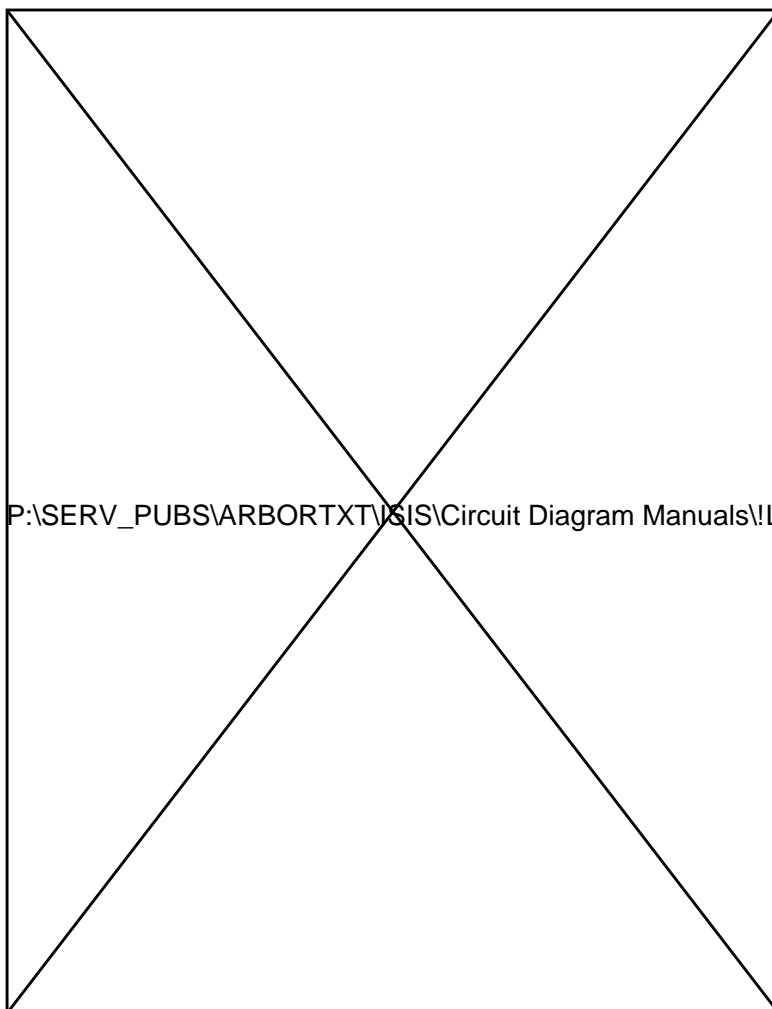


Figure 198 Connector Body Composites (10275)

12.88. CONNECTOR BODY COMPOSITES (10276, 10277, 10278, 10280), P. 84

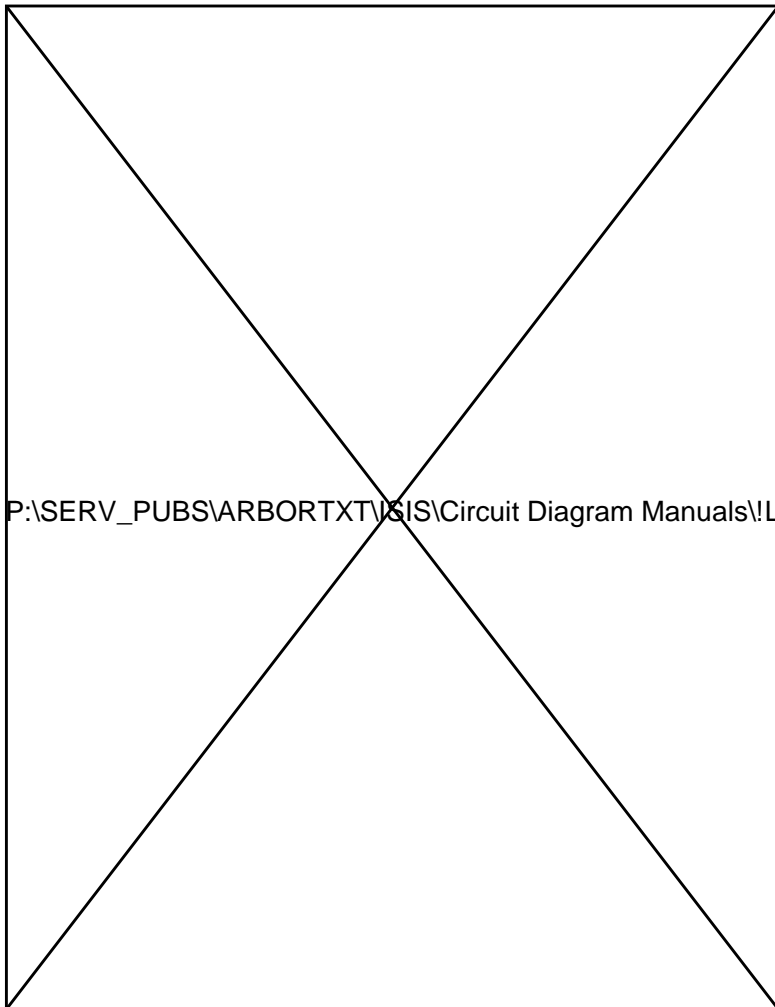


Figure 199 Connector Body Composites (10276, 10277, 10278, 10280)

12.89. CONNECTOR BODY COMPOSITES (10281, 10282, 10284, 10285), P. 85

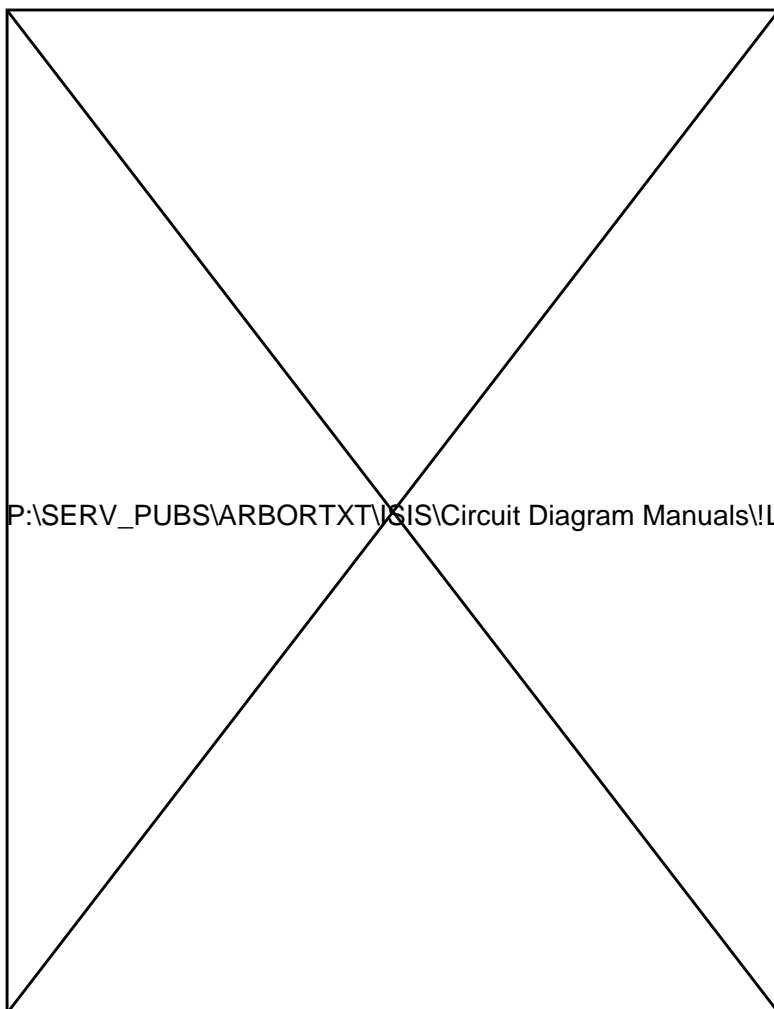


Figure 200 Connector Body Composites (10281, 10282, 10284, 10285)

12.90. CONNECTOR BODY COMPOSITES (10286, 10290, 10291), P. 86

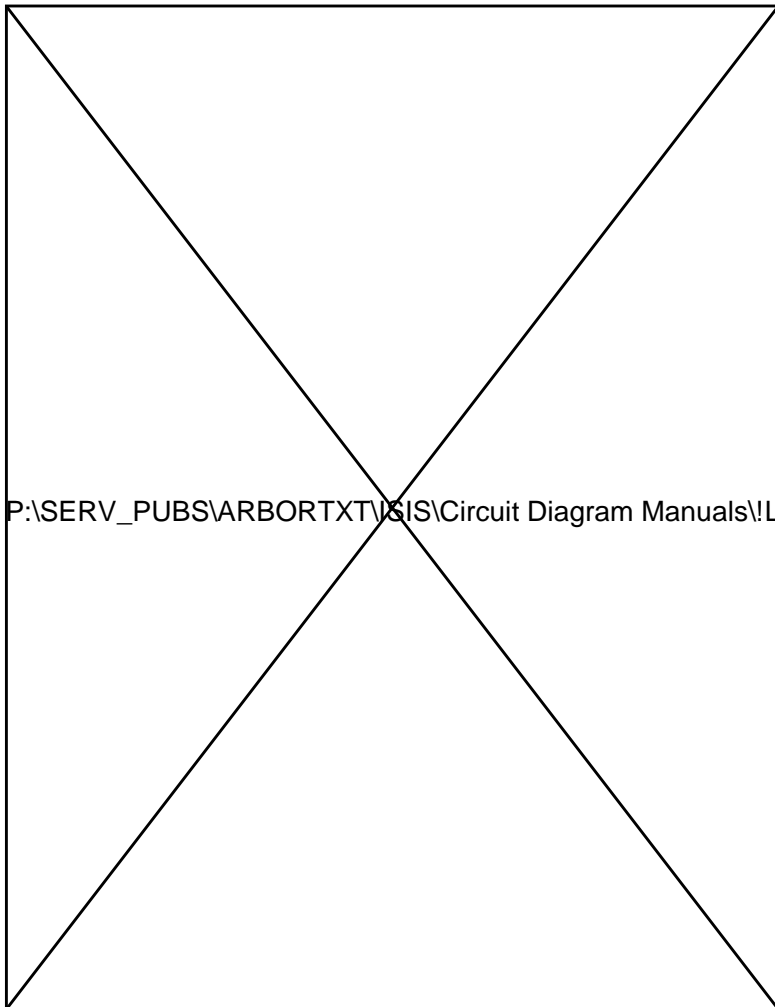


Figure 201 Connector Body Composites (10286, 10290, 10291)

12.91. CONNECTOR BODY COMPOSITES (10292, 10293A, 10293B, 10294), P. 87

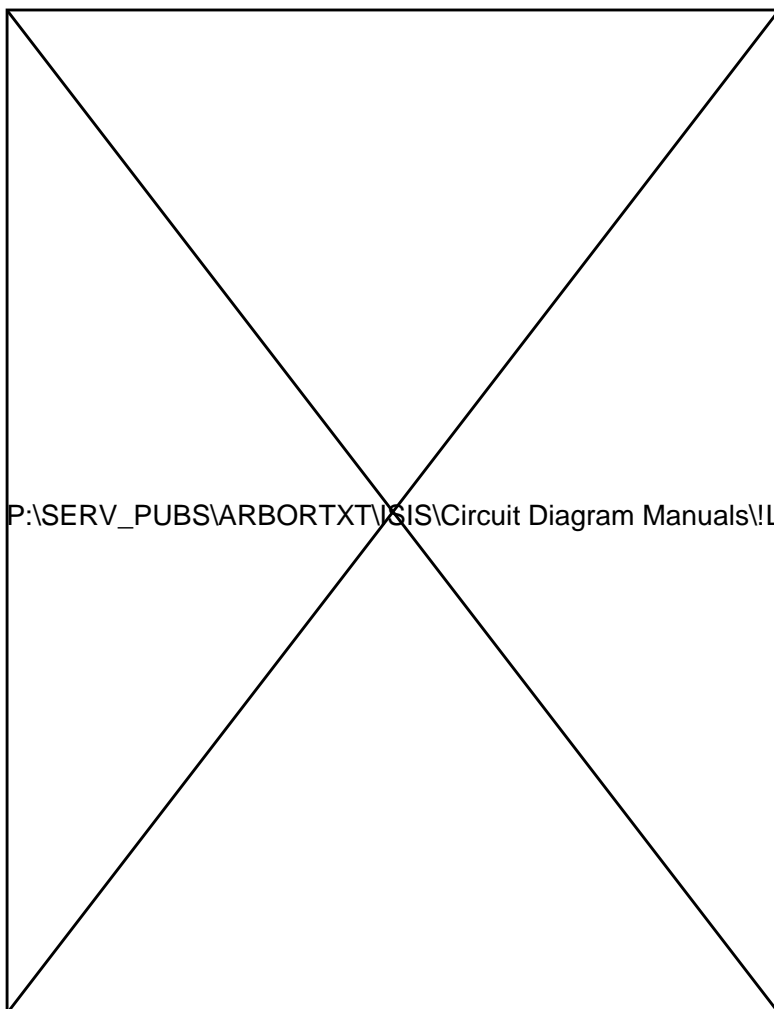


Figure 202 Connector Body Composites (10292, 10293A, 10293B, 10294)

12.92. CONNECTOR BODY COMPOSITES (10295, 10297, 10299), P. 88

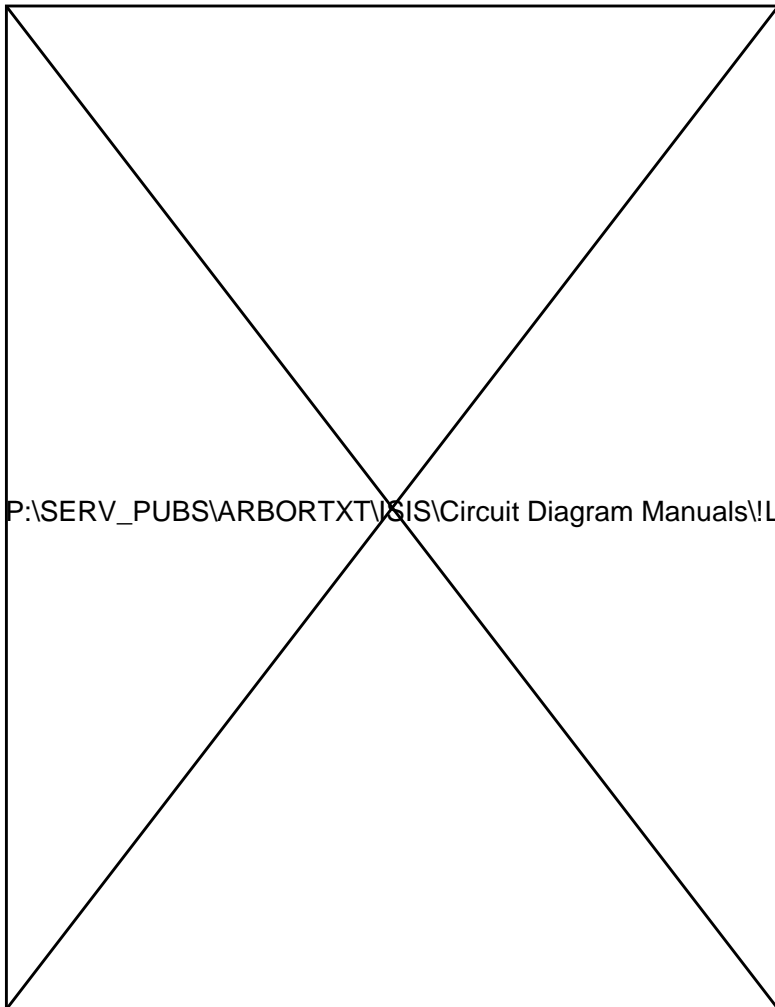


Figure 203 Connector Body Composites (10295, 10297, 10299)

12.93. CONNECTOR BODY COMPOSITES (10301), P. 89

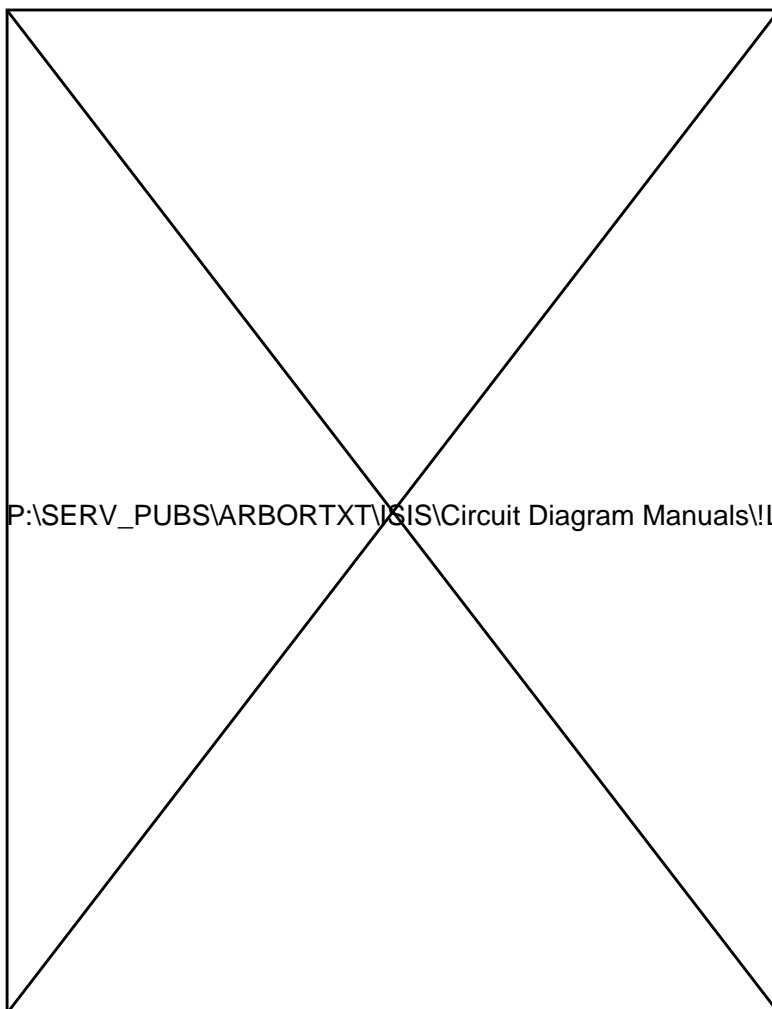


Figure 204 Connector Body Composites (10301)

12.94. CONNECTOR BODY COMPOSITES (10302), P. 90

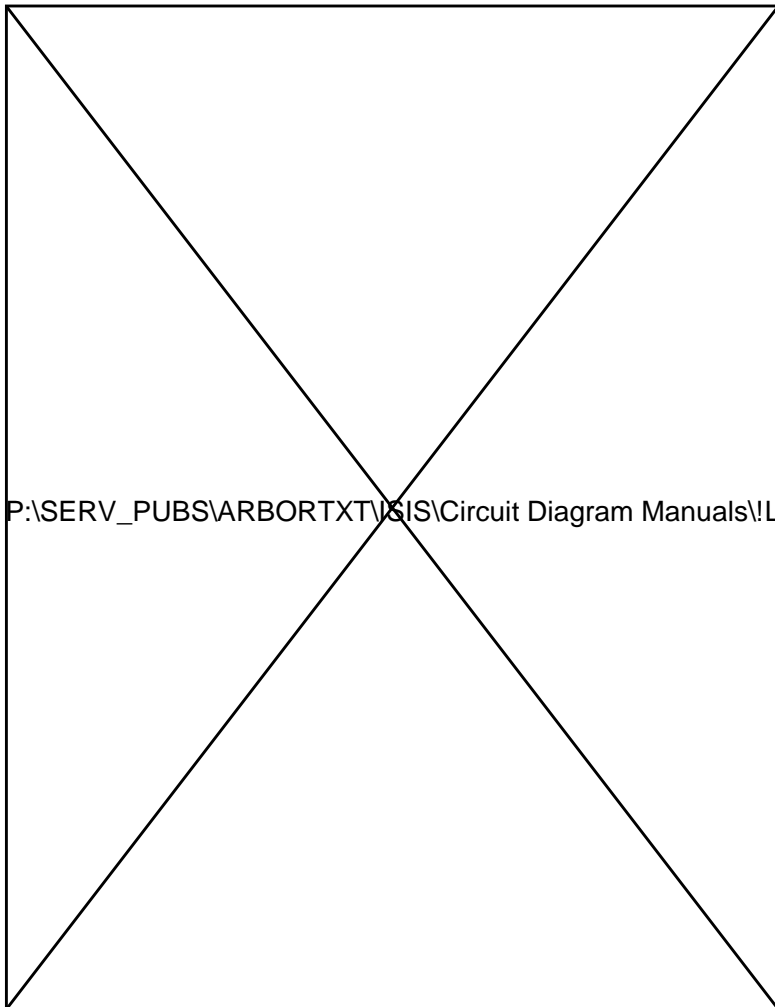


Figure 205 Connector Body Composites (10302)

12.95. CONNECTOR BODY COMPOSITES (10303), P. 91

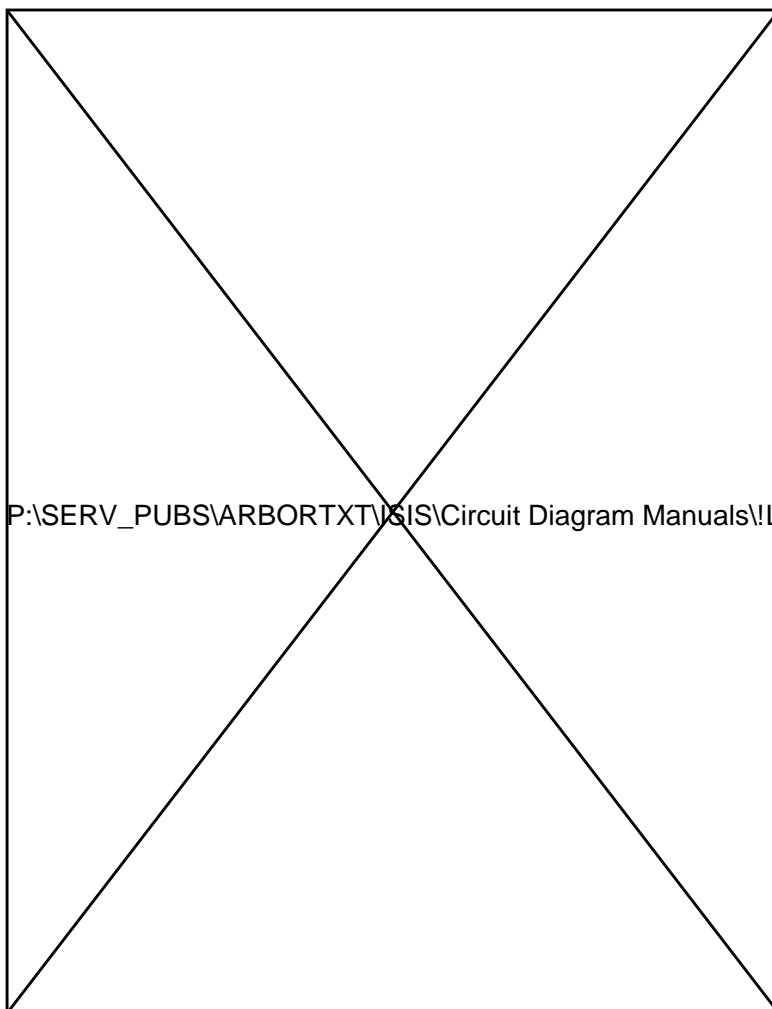


Figure 206 Connector Body Composites (10303)

12.96. CONNECTOR BODY COMPOSITES (10304), P. 92

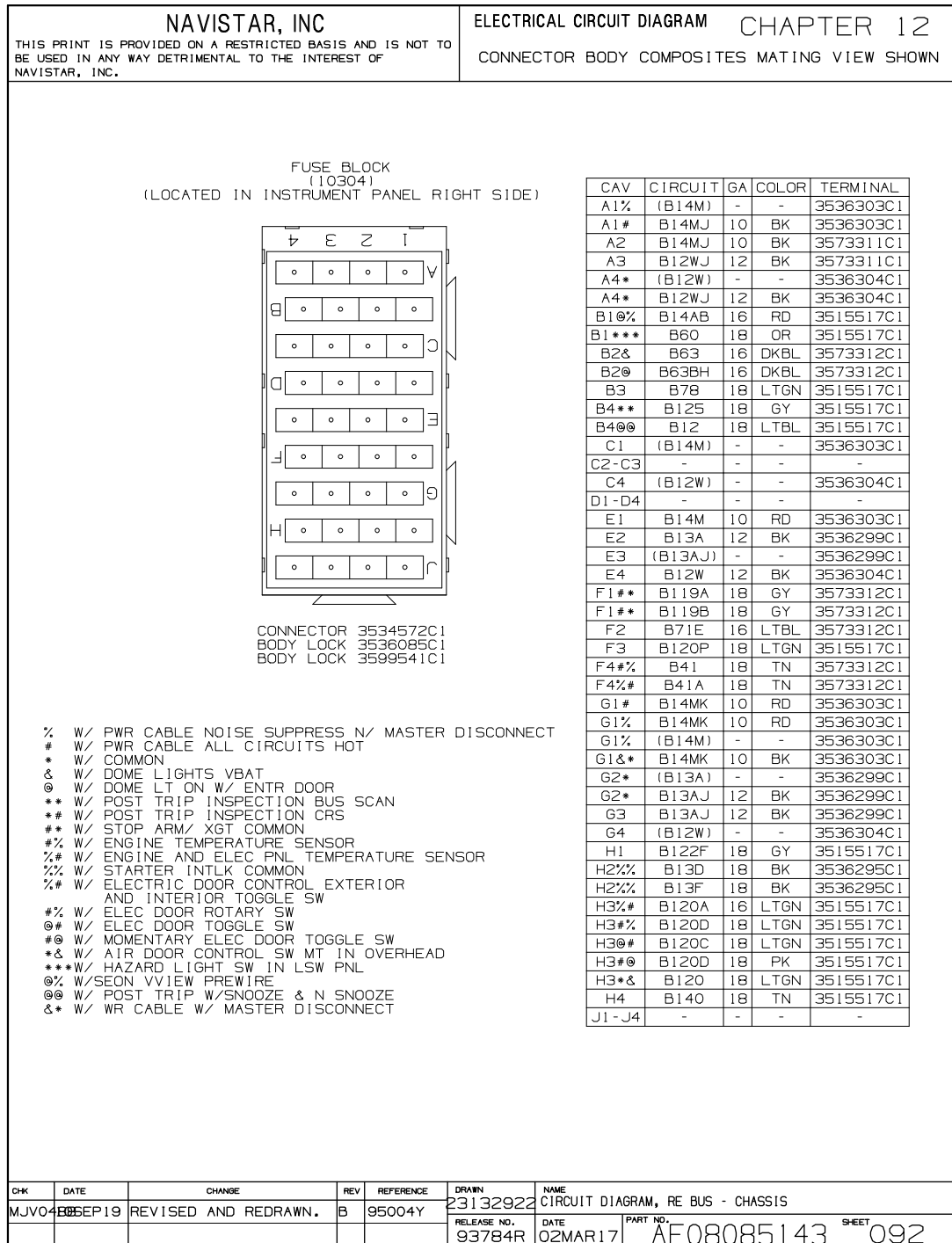


Figure 207 Connector Body Composites (10304)

12.97. CONNECTOR BODY COMPOSITES (10305), P. 93

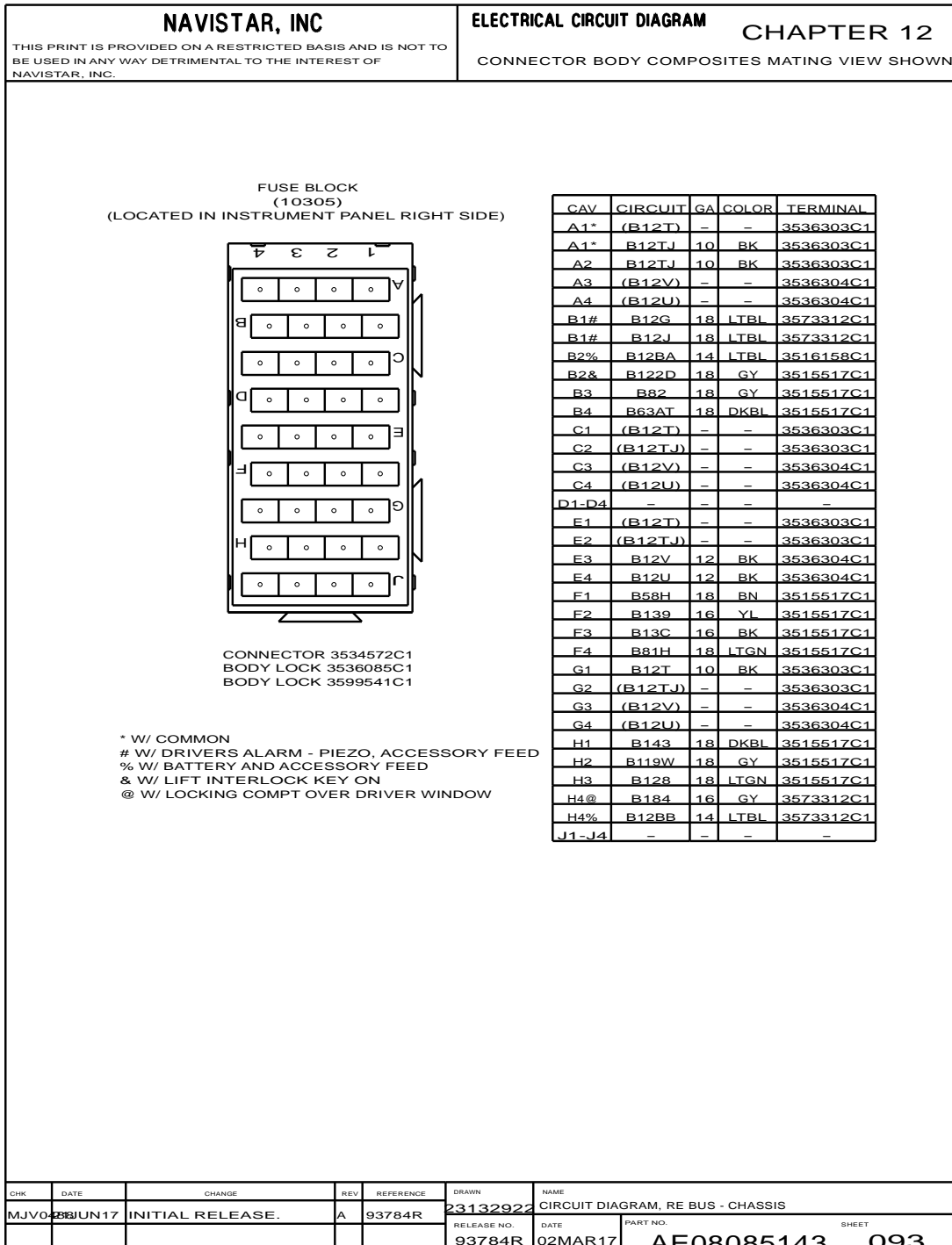


Figure 208 Connector Body Composites (10305)

12.98. CONNECTOR BODY COMPOSITES (10306), P. 94

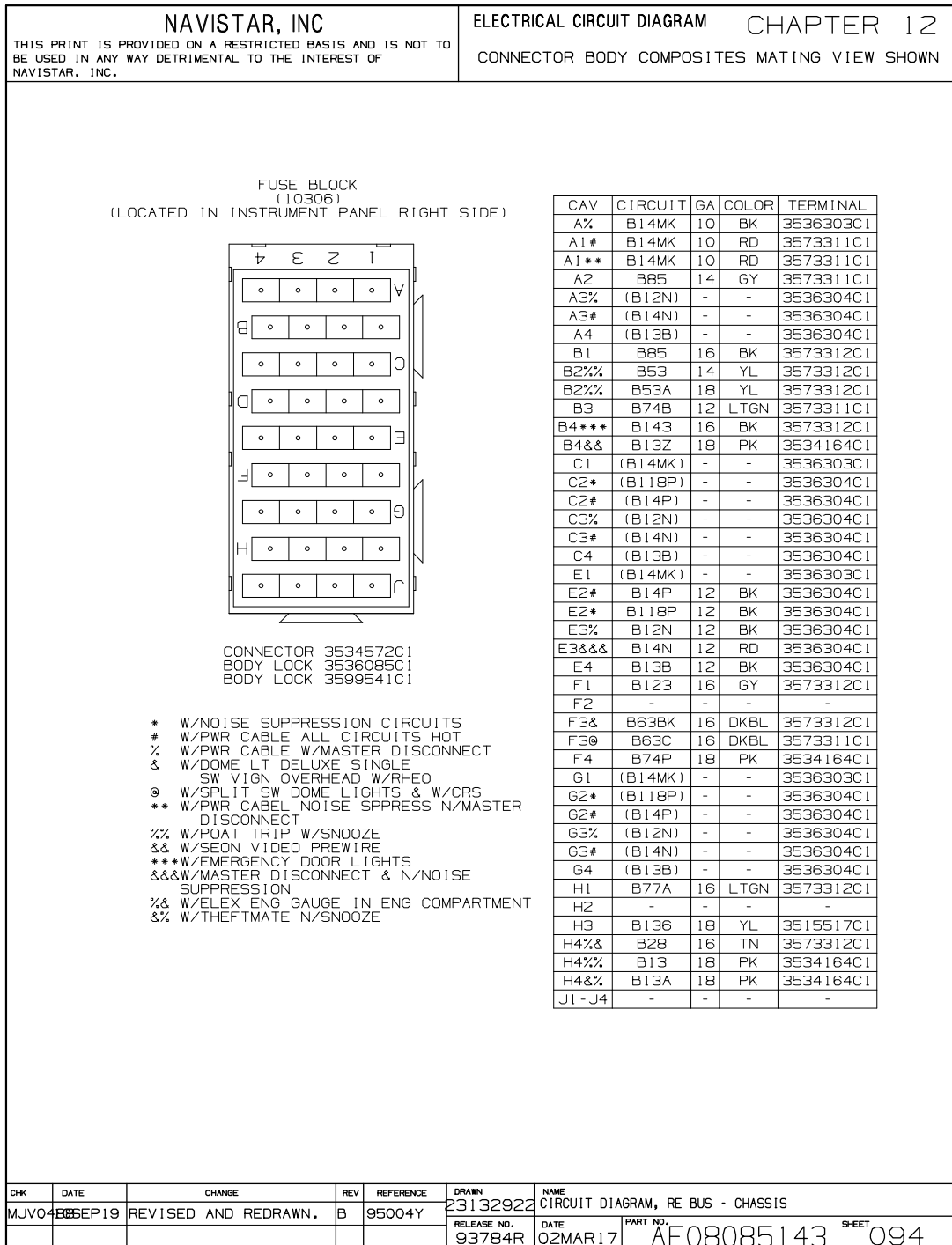


Figure 209 Connector Body Composites (10306)

12.99. CONNECTOR BODY COMPOSITES (10307), P. 95

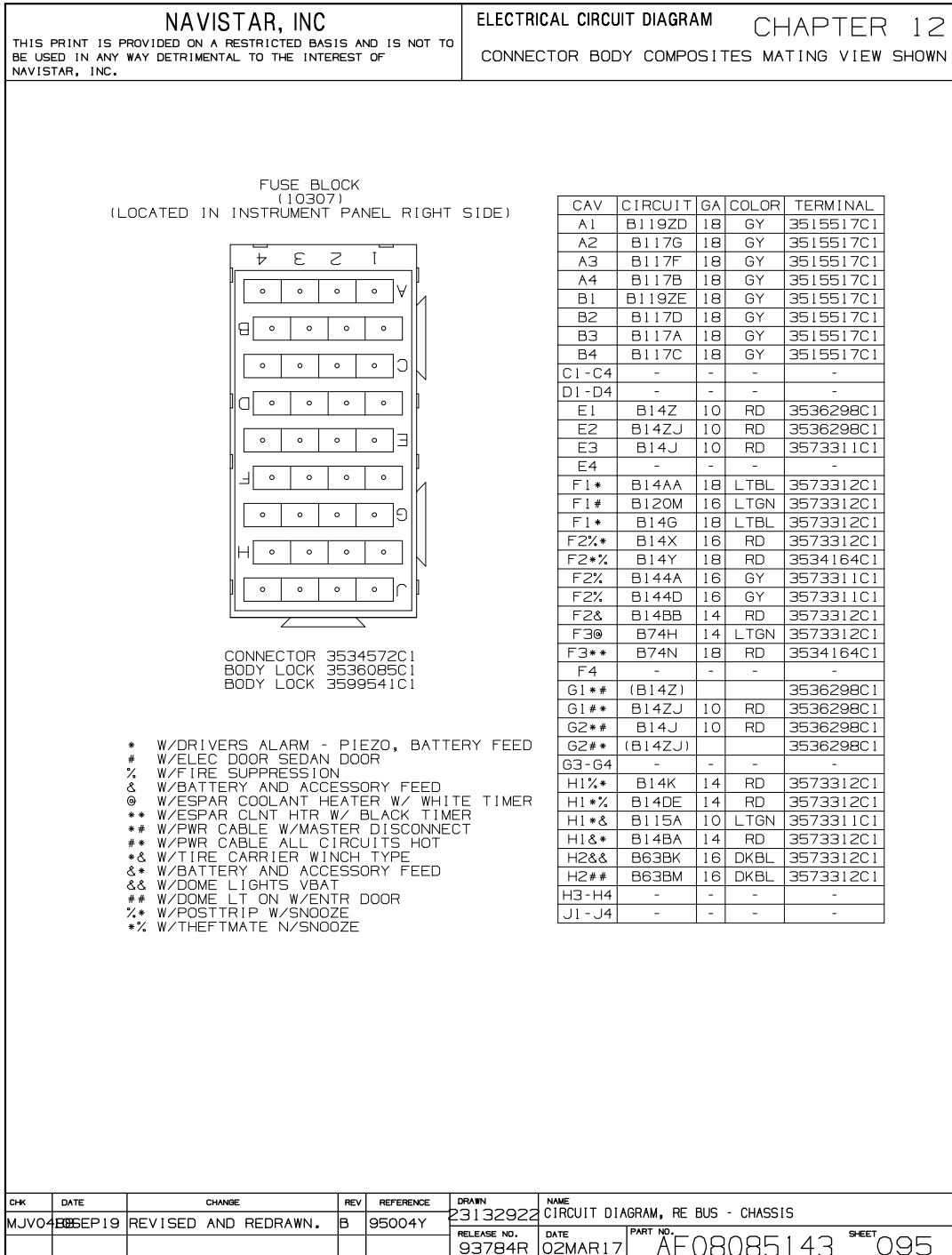


Figure 210 Connector Body Composites (10307)

12.100. CONNECTOR BODY COMPOSITES (10308), P. 96

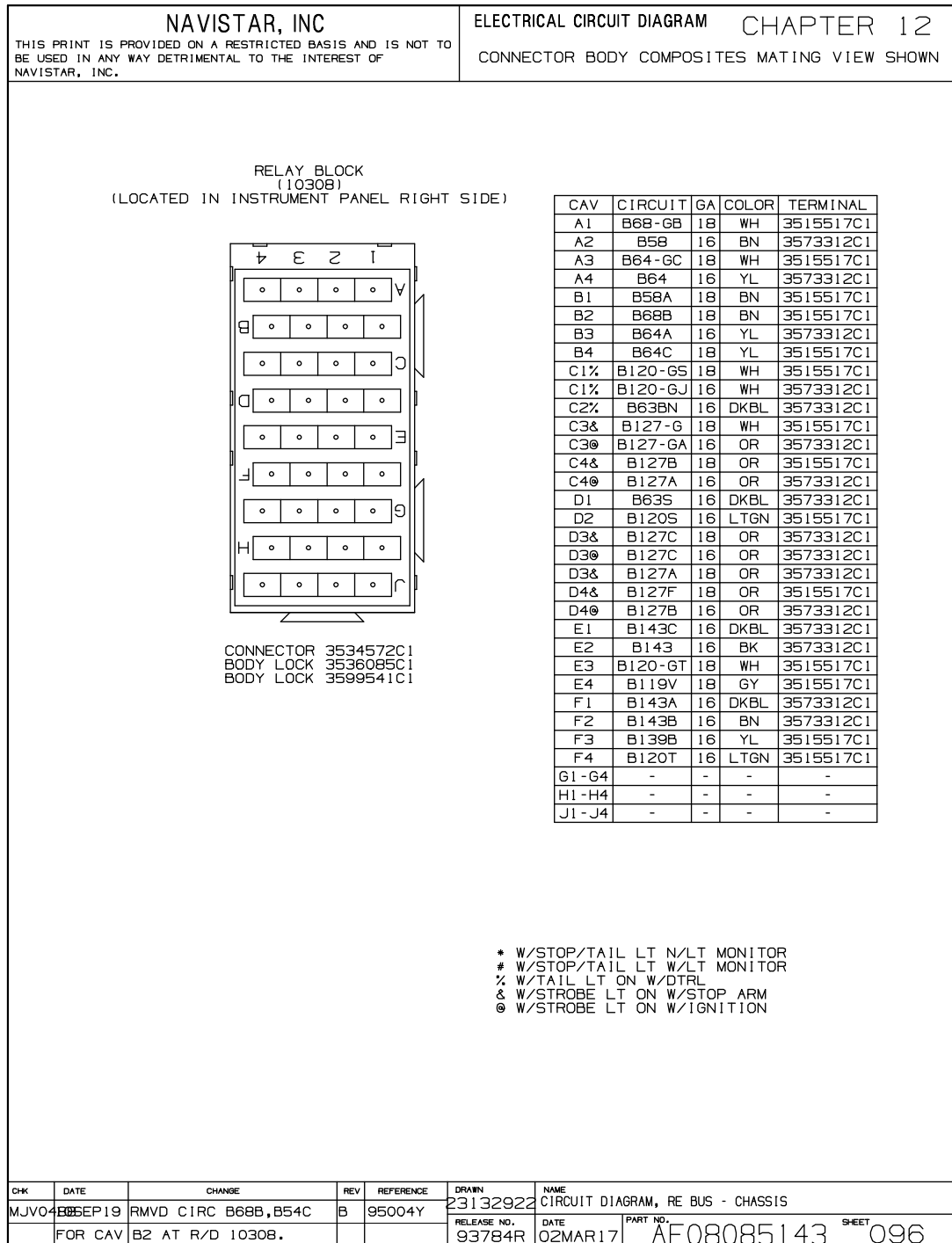


Figure 211 Connector Body Composites (10308)

12.101. CONNECTOR BODY COMPOSITES (10309), P. 97

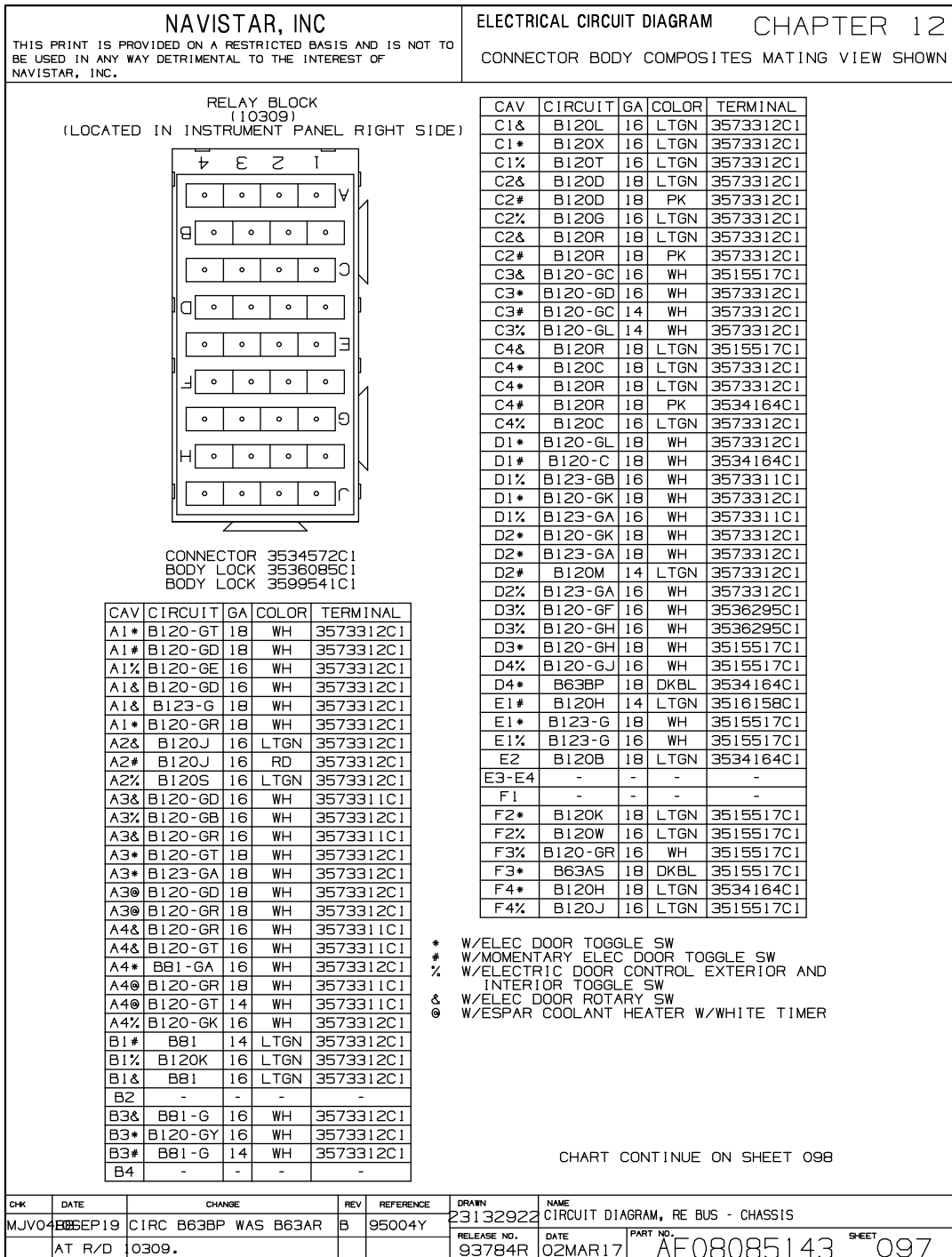


Figure 212 Connector Body Composites (10309)

12.102. CONNECTOR BODY COMPOSITES (10309) (CONT.), P. 98

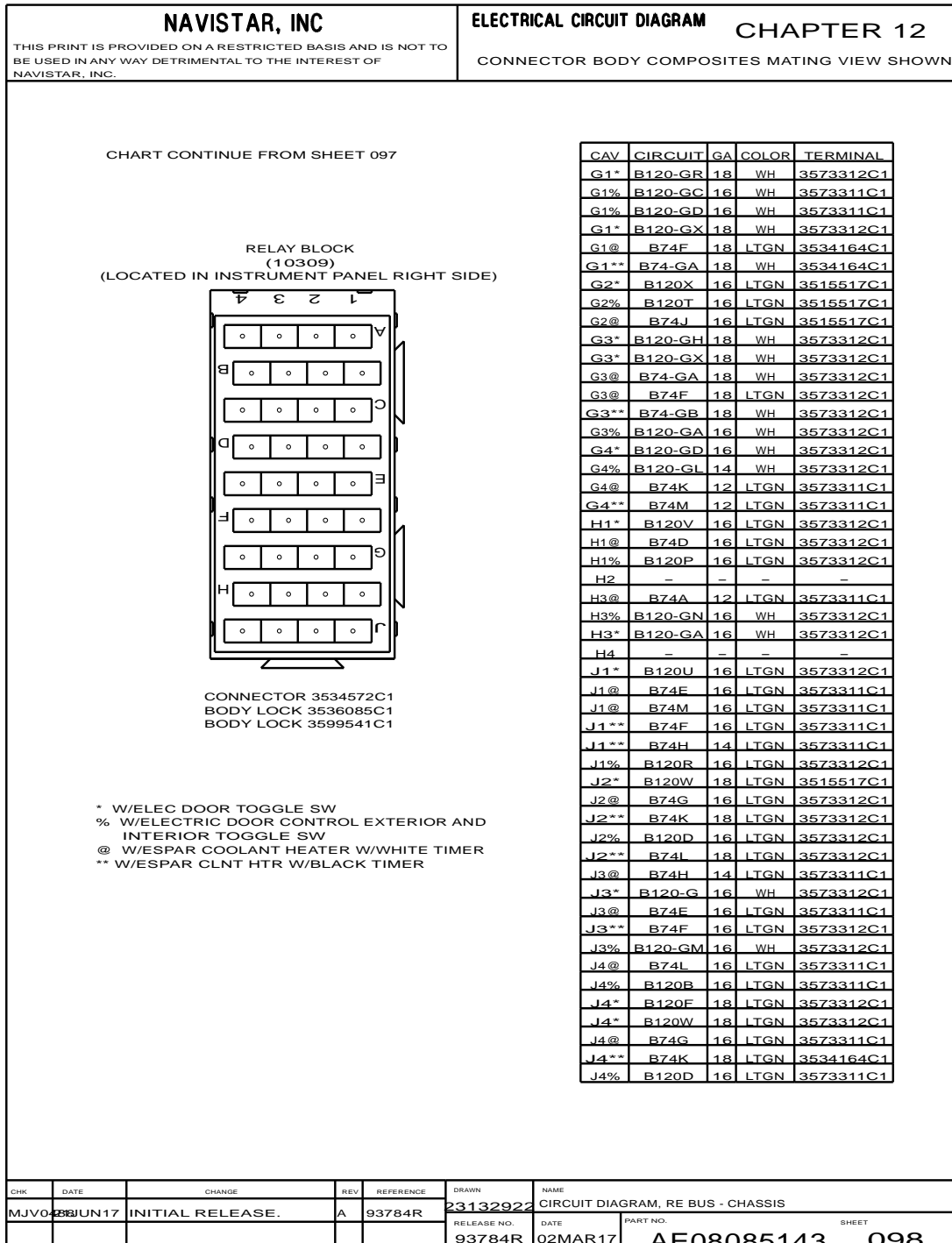


Figure 213 Connector Body Composites (10309) (Cont.)

12.103. CONNECTOR BODY COMPOSITES (10310), P. 99

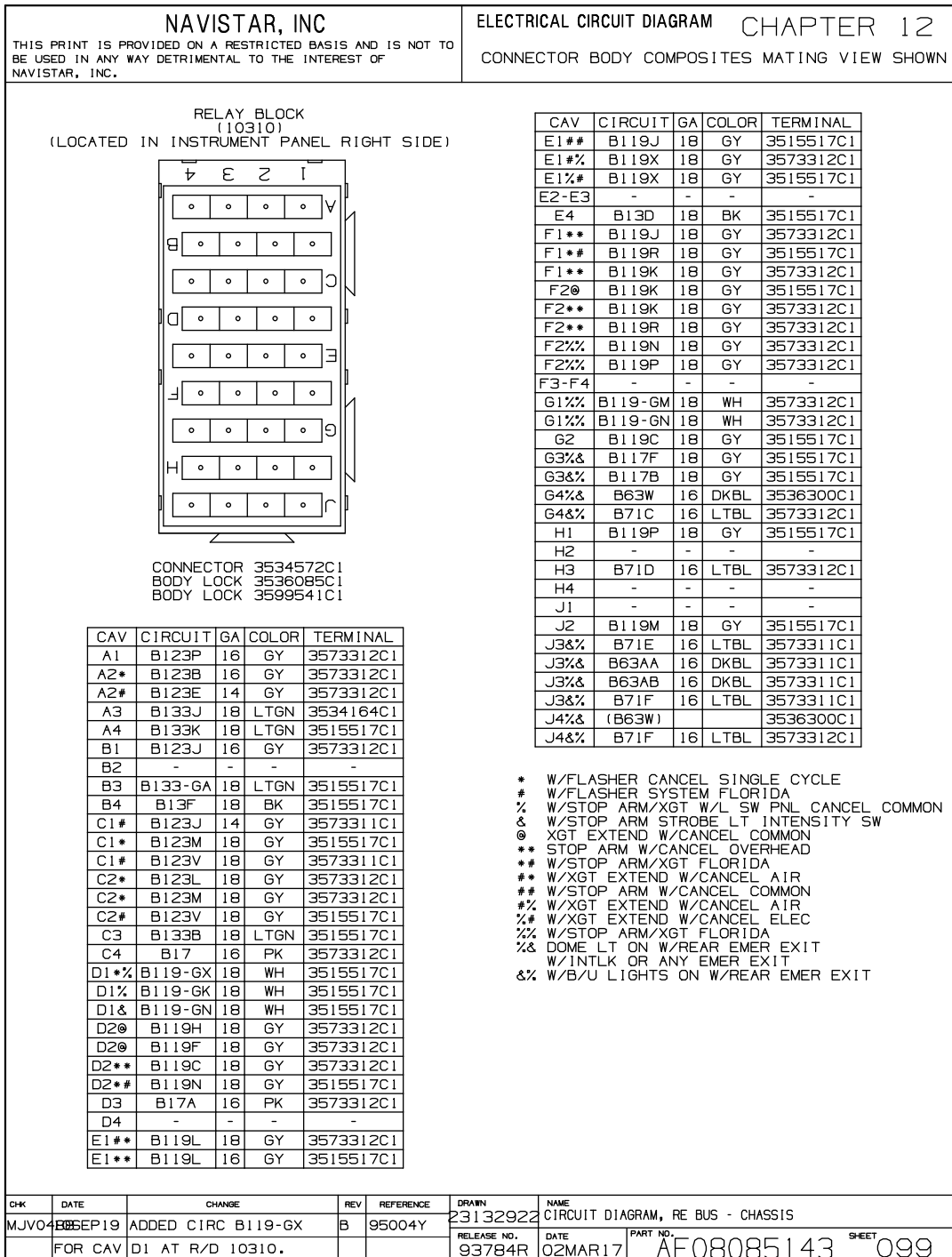


Figure 214 Connector Body Composites (10310)

12.104. CONNECTOR BODY COMPOSITES (10311), P. 100

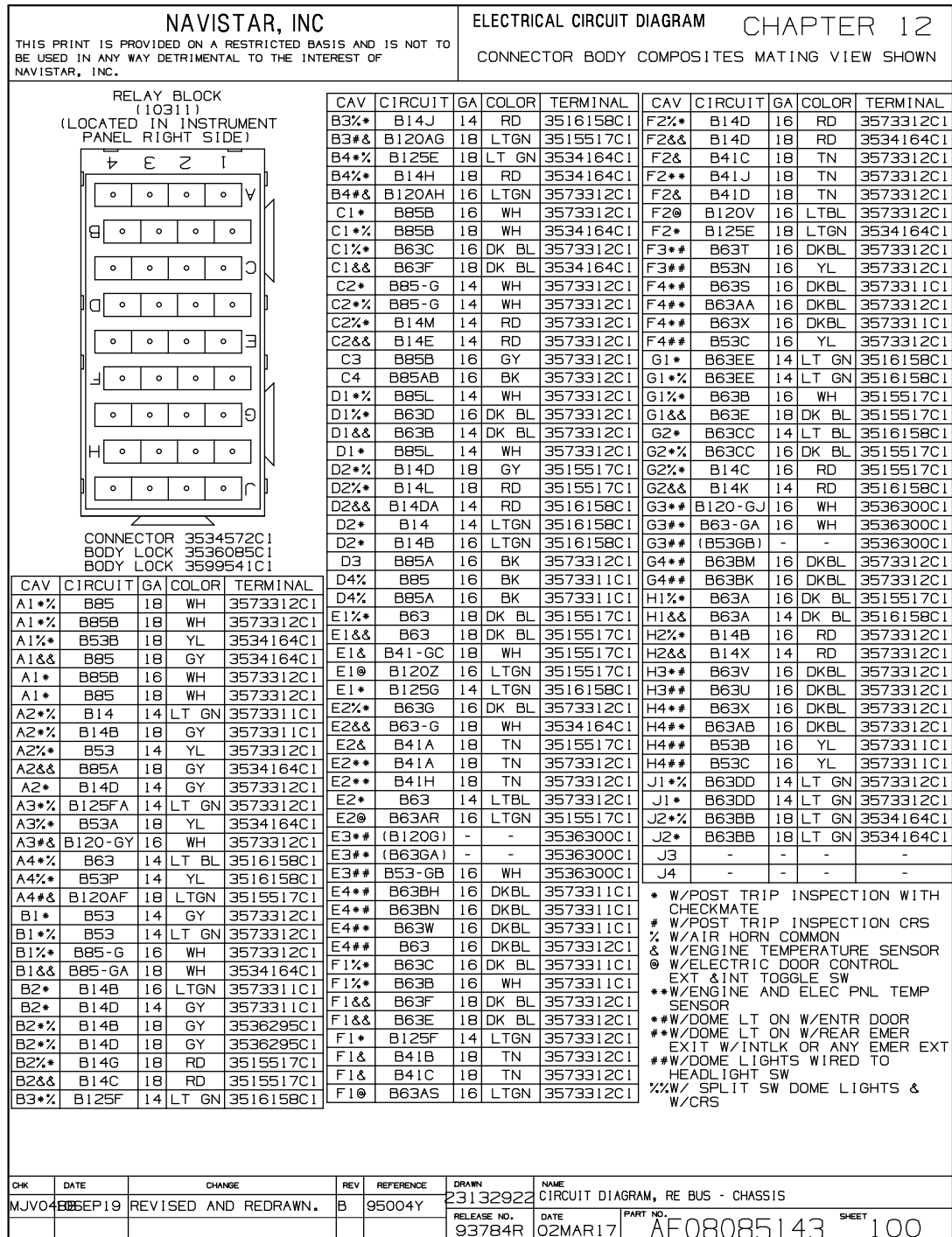


Figure 215 Connector Body Composites (10311)

12.105. CONNECTOR BODY COMPOSITES (10312, 10314), P. 101

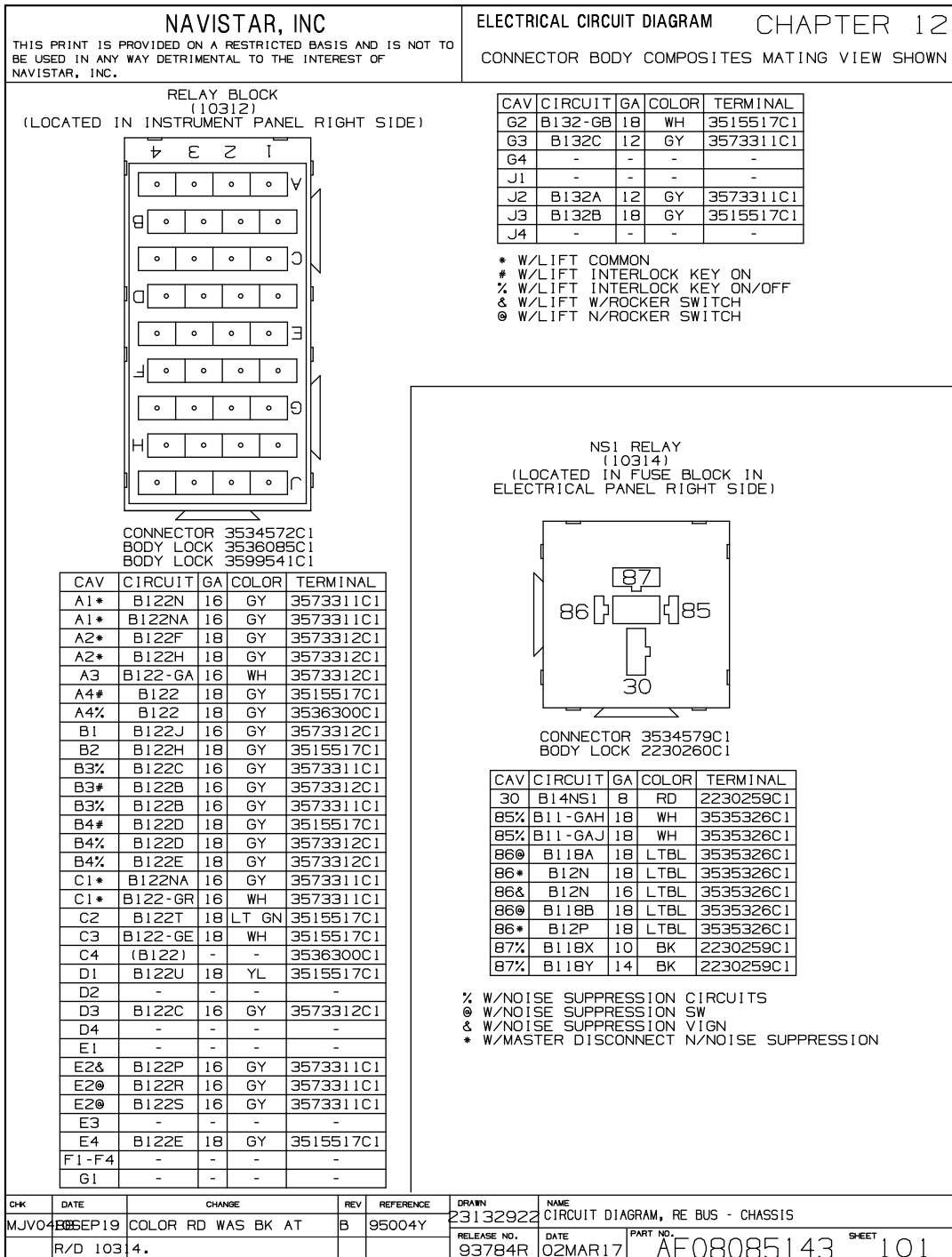


Figure 216 Connector Body Composites (10312, 10314)

12.106. CONNECTOR BODY COMPOSITES (10315, 10316, 10317, 10318) P. 102

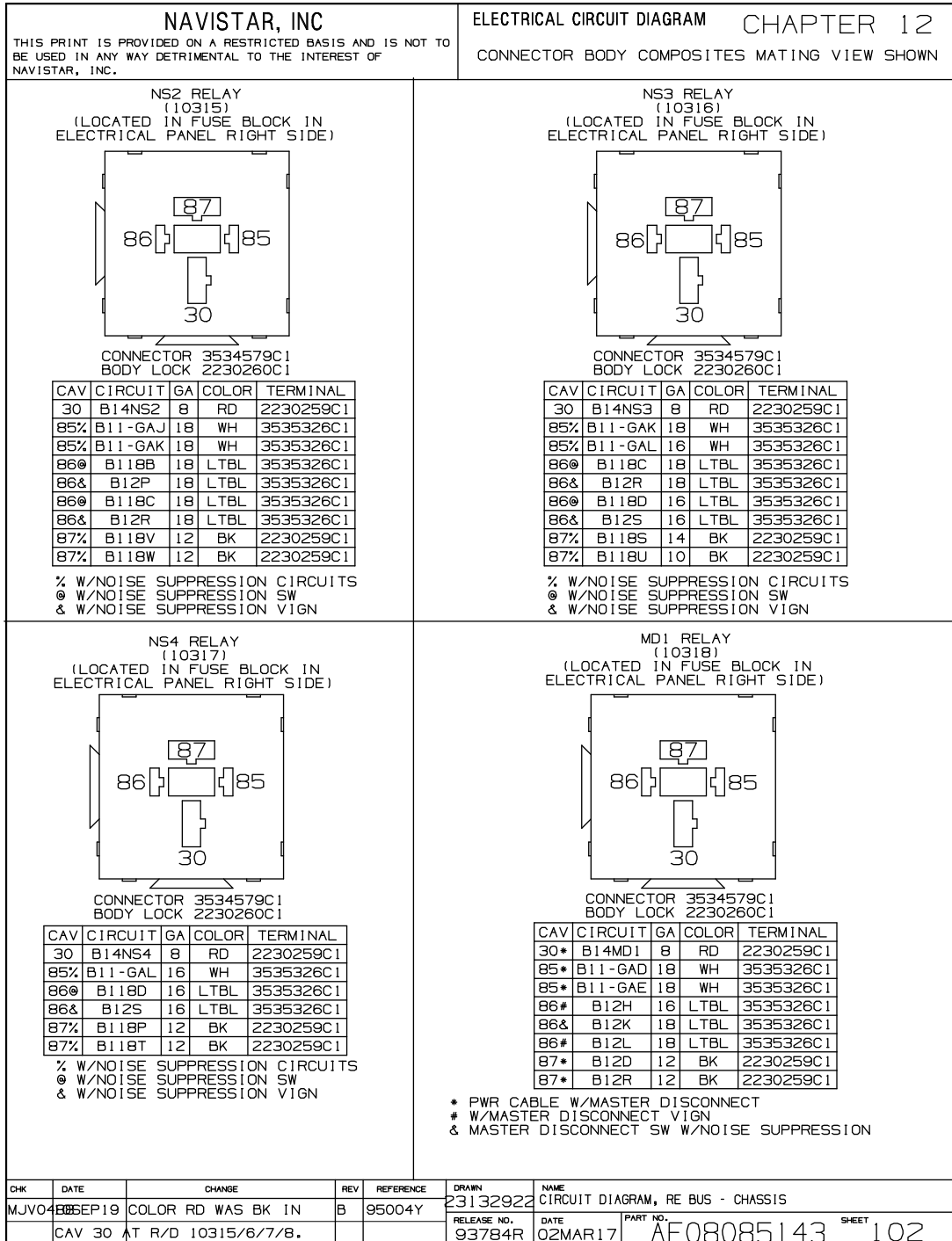


Figure 217 Connector Body Composites (10315, 10316, 10317, 10318)

12.107. CONNECTOR BODY COMPOSITES (10319, 10320, 10321, 10322), P. 103

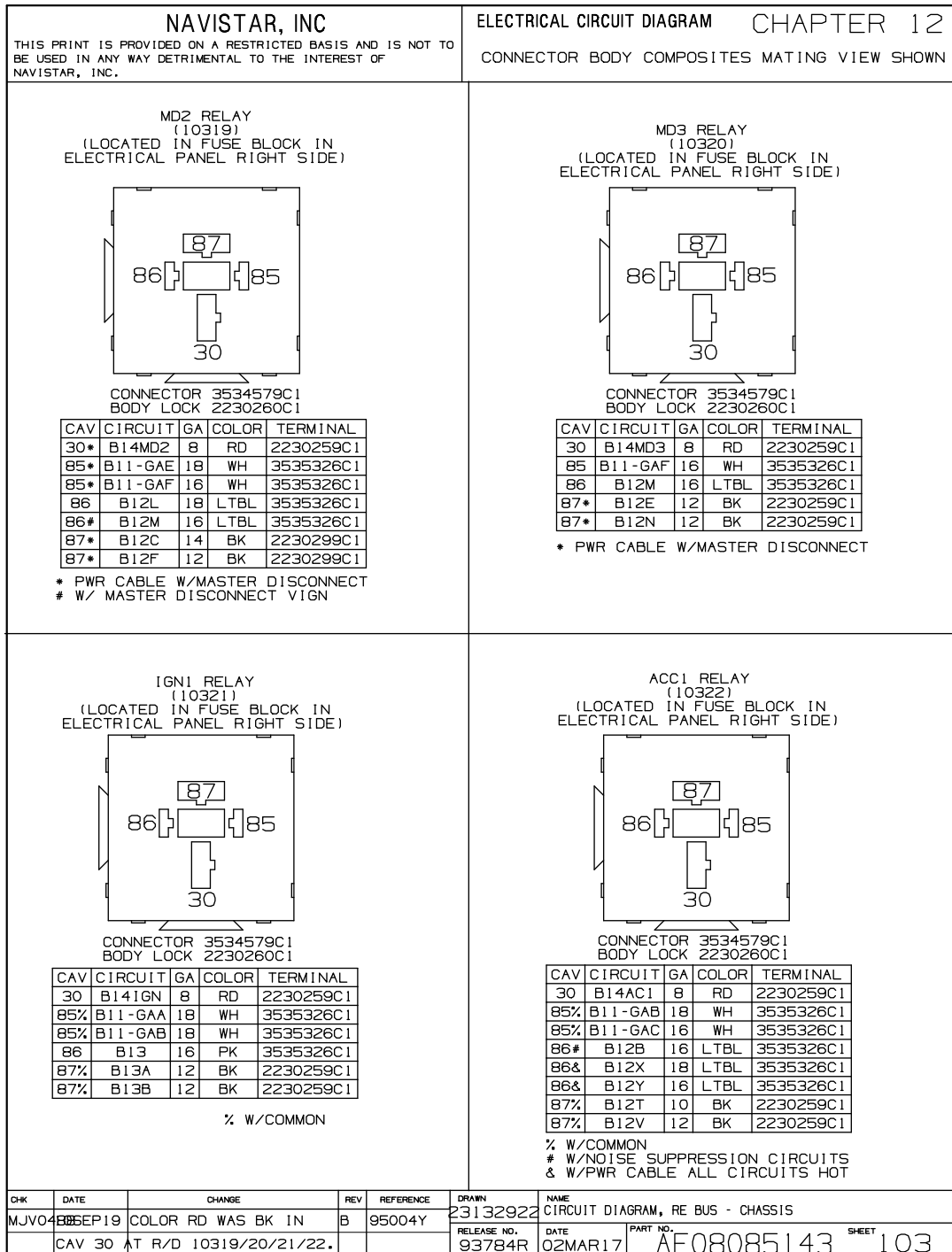


Figure 218 Connector Body Composites (10319, 10320, 10321, 10322)

12.108. CONNECTOR BODY COMPOSITES (10323, 10326), P. 104

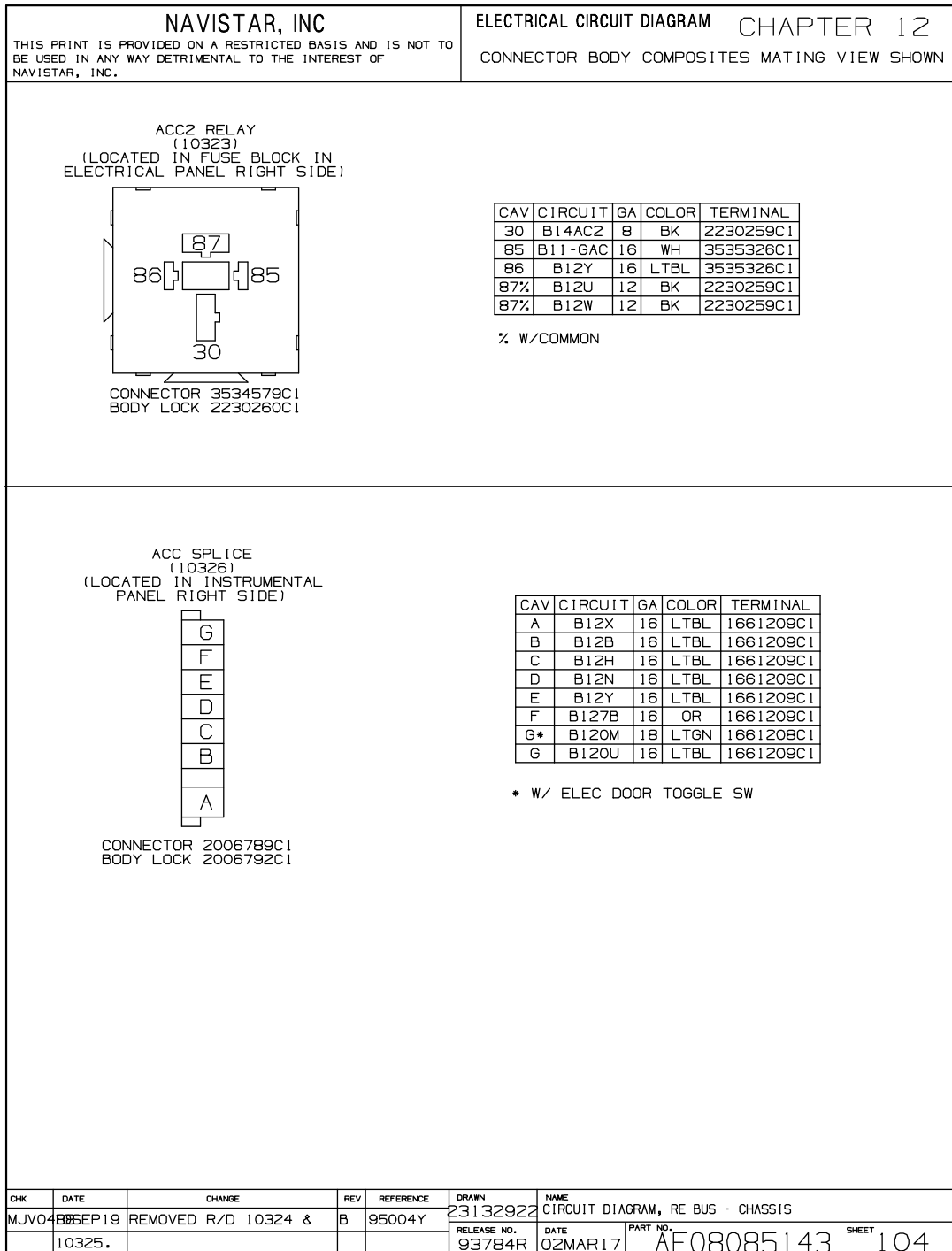


Figure 219 Connector Body Composites (10323, 10326)

12.109. CONNECTOR BODY COMPOSITES (10327, 10328), P. 105

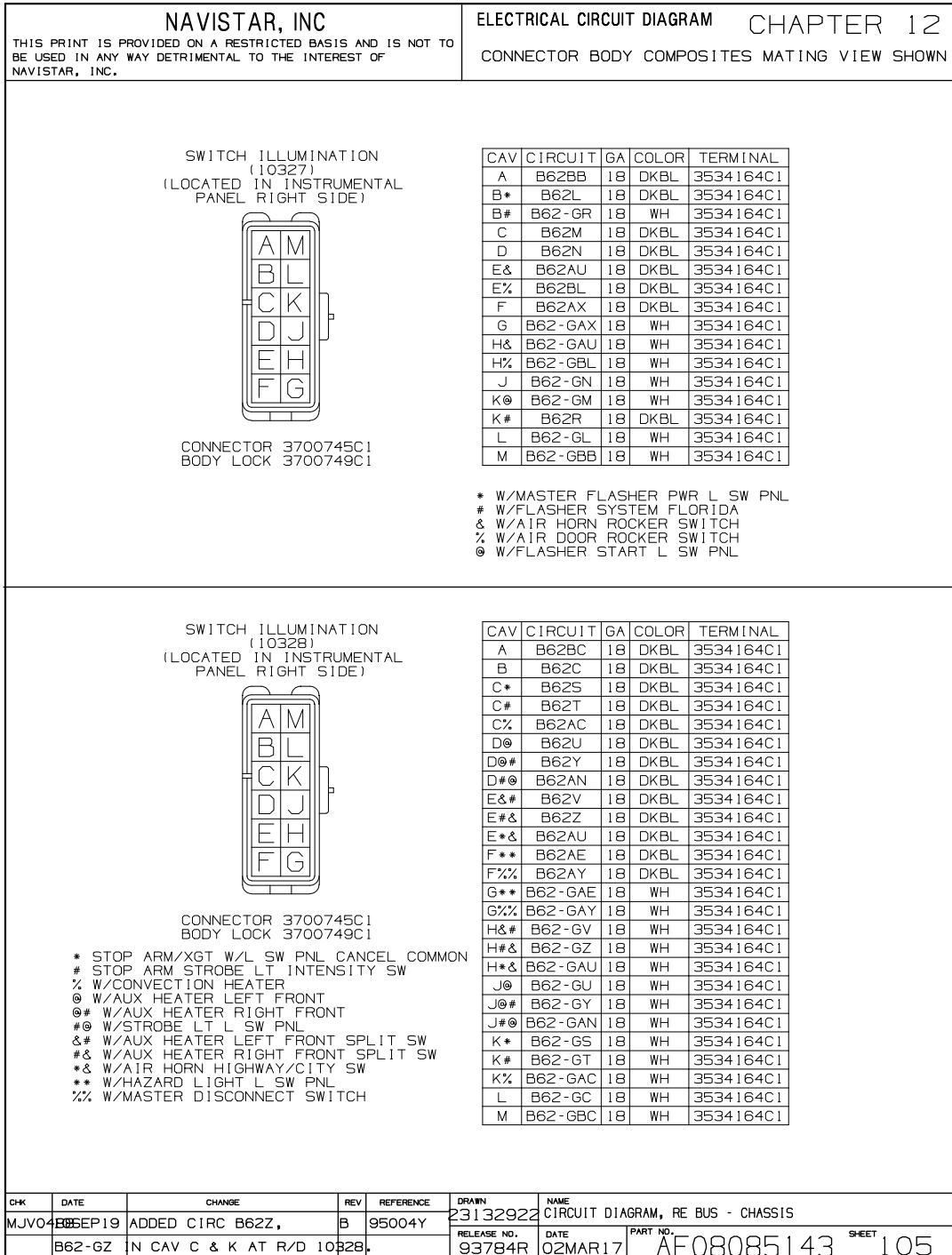


Figure 220 Connector Body Composites (10327, 10328)

12.110. CONNECTOR BODY COMPOSITES (10329, 10330), P. 106

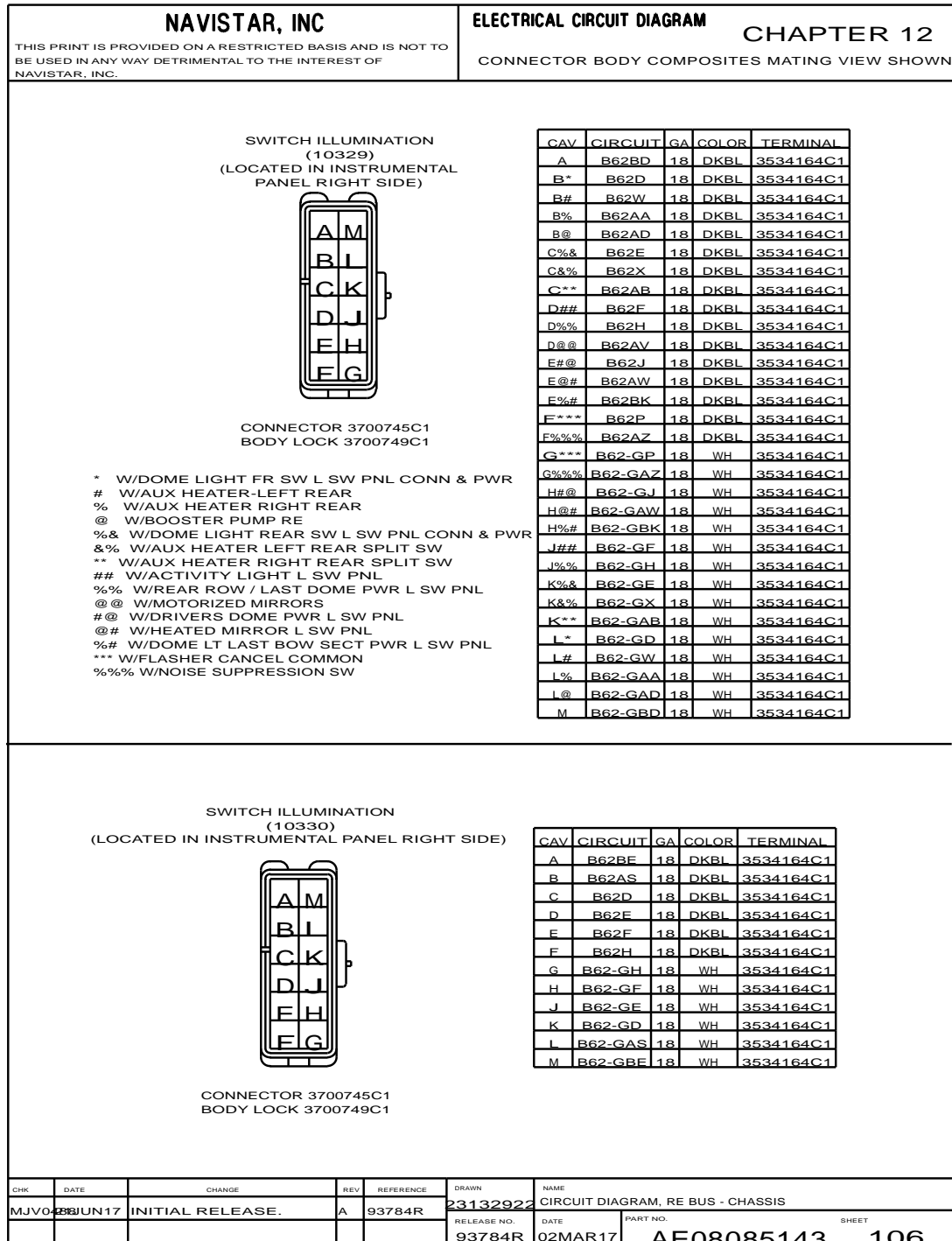


Figure 221 Connector Body Composites (10329, 10330)

12.111. CONNECTOR BODY COMPOSITES (10331, 10332, 10333), P. 107

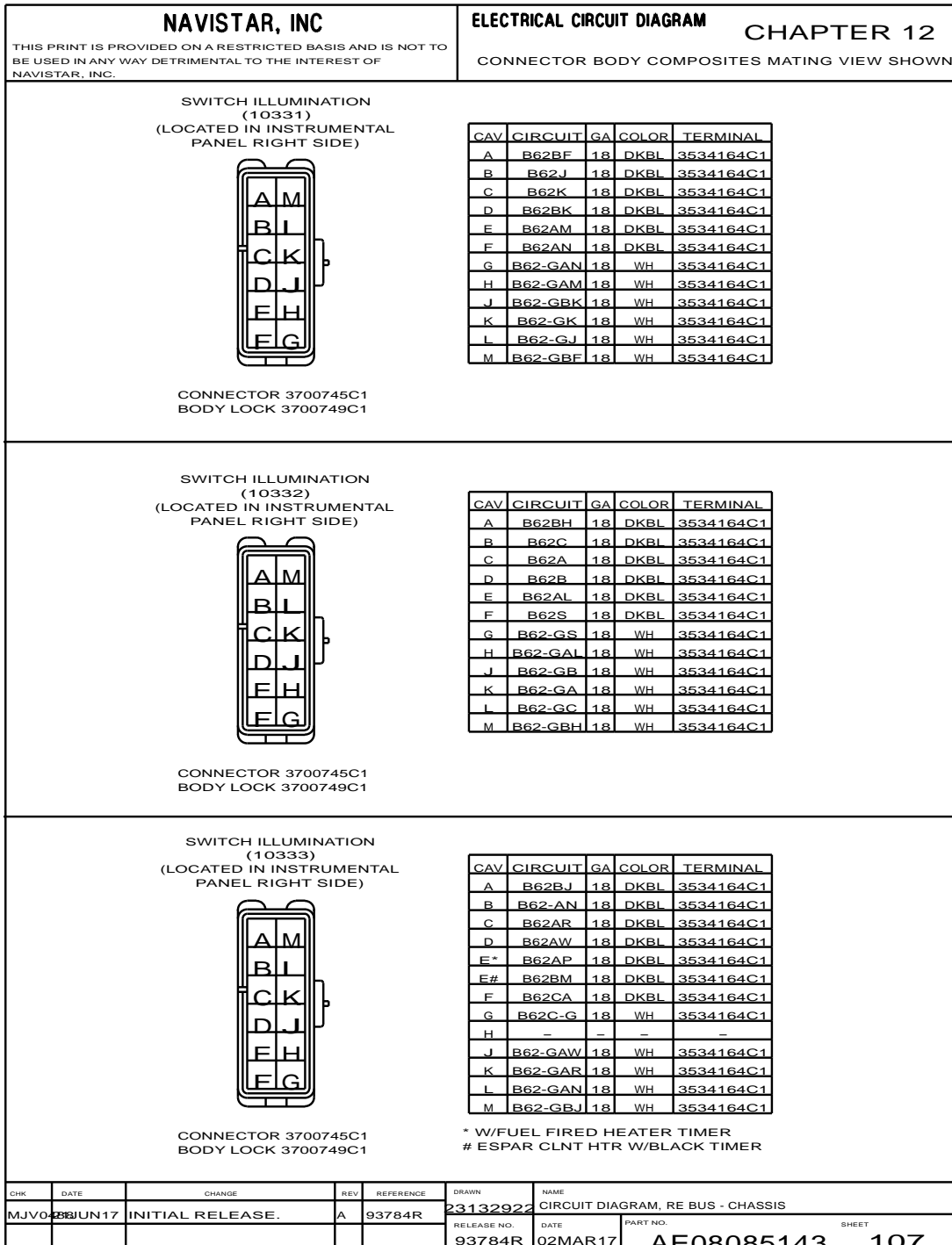


Figure 222 Connector Body Composites (10331, 10332, 10333)

12.112. CONNECTOR BODY COMPOSITES (10334, 10335), P. 108

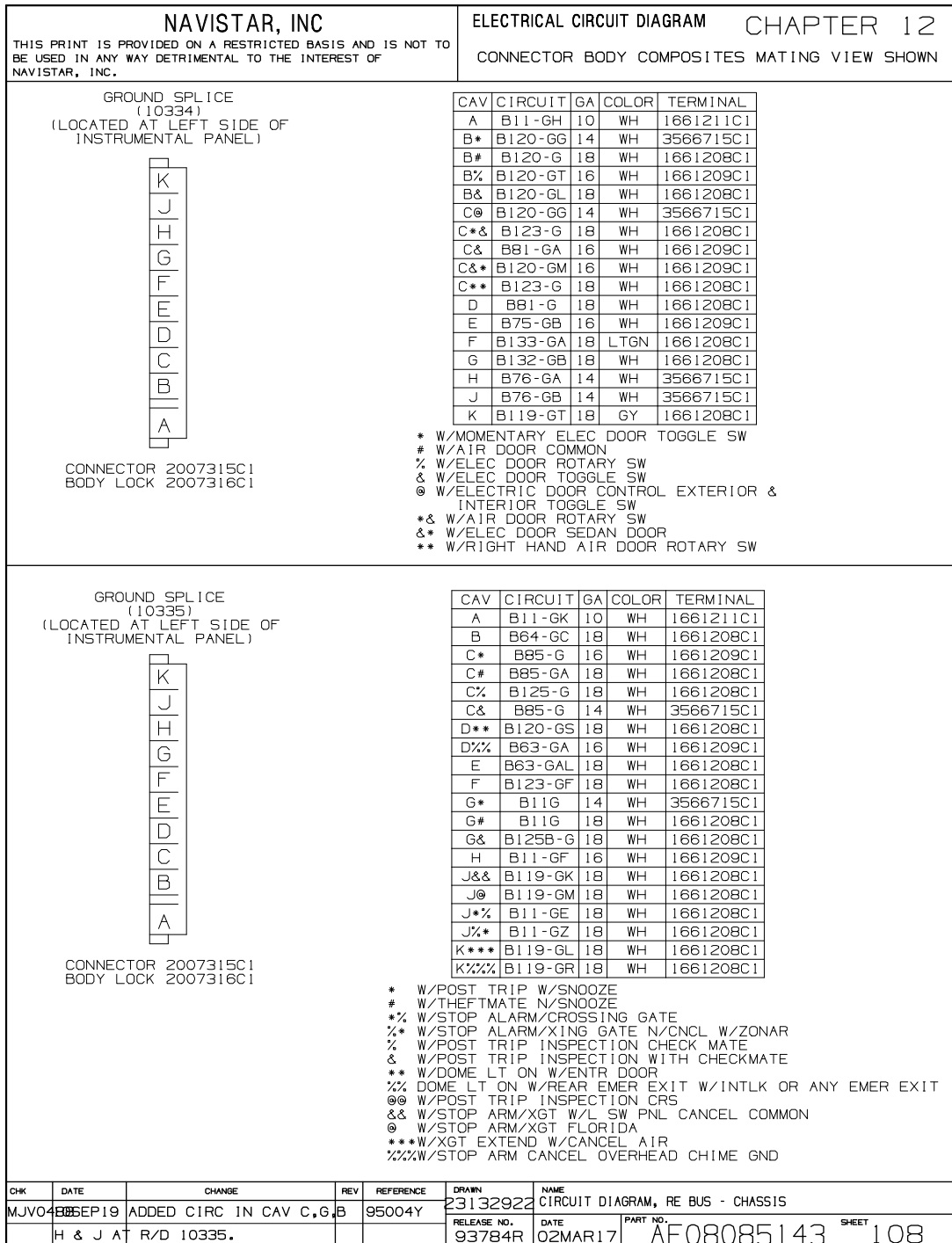


Figure 223 Connector Body Composites (10334, 10335)

12.113. CONNECTOR BODY COMPOSITES (10336, 10337), P. 109

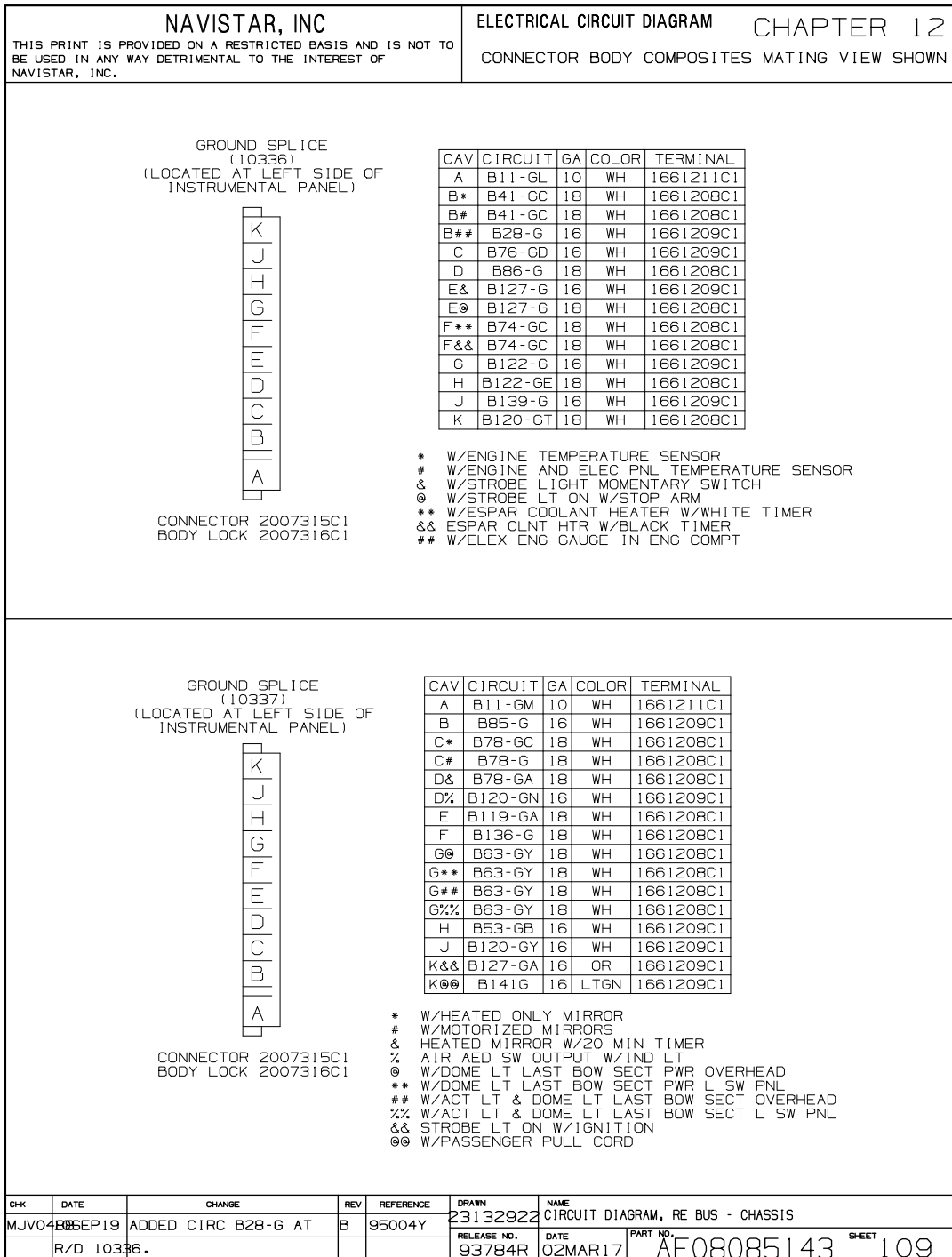


Figure 224 Connector Body Composites (10336, 10337)

12.114. CONNECTOR BODY COMPOSITES (10340F, 10340M, 10341, 10344A), P. 110

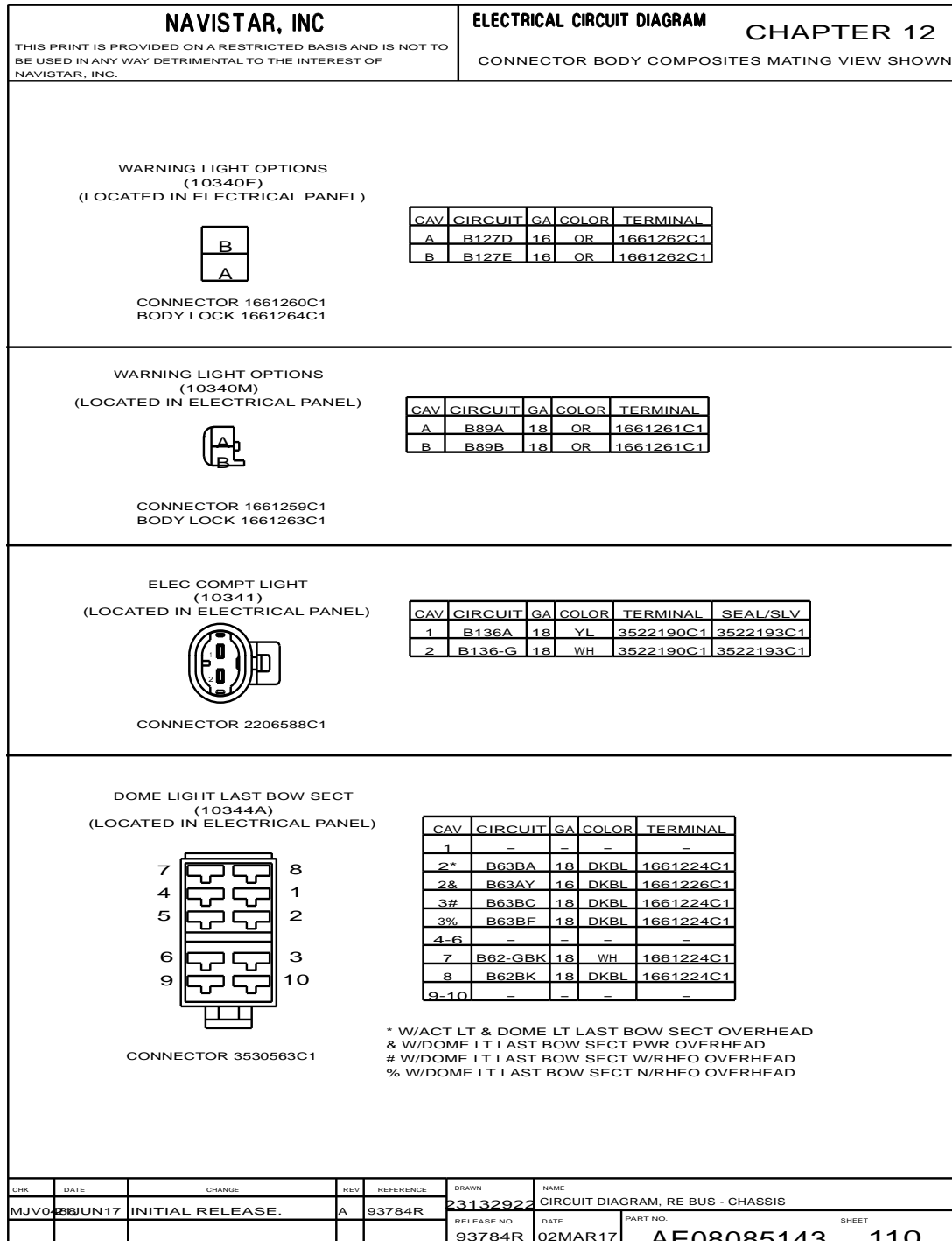


Figure 225 Connector Body Composites (10340F, 10340M, 10341, 10344A)

12.115. CONNECTOR BODY COMPOSITES (10344B, 10345, 10346), P. 111

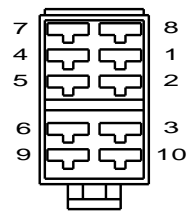
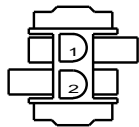
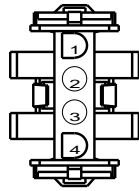
NAVISTAR, INC				ELECTRICAL CIRCUIT DIAGRAM				CHAPTER 12																																																					
THIS PRINT IS PROVIDED ON A RESTRICTED BASIS AND IS NOT TO BE USED IN ANY WAY DETRIMENTAL TO THE INTEREST OF NAVISTAR, INC.				CONNECTOR BODY COMPOSITES MATING VIEW SHOWN																																																									
<div style="display: flex; justify-content: space-between;"> <div style="width: 45%;"> <p style="text-align: center;">DOME LIGHTT LAST BOW SECT (10344B) (LOCATED IN ELECTRICAL PANEL)</p>  <p style="text-align: center;">CONNECTOR 3530563C1</p> </div> <div style="width: 50%;"> <table border="1" style="width: 100%; border-collapse: collapse; font-size: x-small;"> <thead> <tr> <th>CAV</th> <th>CIRCUIT</th> <th>GA</th> <th>COLOR</th> <th>TERMINAL</th> </tr> </thead> <tbody> <tr><td>1</td><td>-</td><td>-</td><td>-</td><td>-</td></tr> <tr><td>2*</td><td>B63BB</td><td>18</td><td>DKBL</td><td>1661224C1</td></tr> <tr><td>2#</td><td>B63AZ</td><td>16</td><td>DKBL</td><td>1661226C1</td></tr> <tr><td>3%</td><td>B63BD</td><td>18</td><td>DKBL</td><td>1661224C1</td></tr> <tr><td>3&</td><td>B63BF</td><td>18</td><td>DKBL</td><td>1661224C1</td></tr> <tr><td>4-6</td><td>-</td><td>-</td><td>-</td><td>-</td></tr> <tr><td>7</td><td>B62-GBK</td><td>18</td><td>WH</td><td>1661224C1</td></tr> <tr><td>8</td><td>B62BK</td><td>18</td><td>DKBL</td><td>1661224C1</td></tr> <tr><td>9-10</td><td>-</td><td>-</td><td>-</td><td>-</td></tr> </tbody> </table> <p style="font-size: x-small;">* W/ ACT LT & DOME LT LAST BOW SECT L SW PNL # W/ DOME LT LAST BOW SECT PWR L SW PNL % W/ DOME LT LAST BOW SECT W/RHEO L SW PNL & W/ DOME LT LAST BOW SECT N/RHEO L SW PNL</p> </div> </div>												CAV	CIRCUIT	GA	COLOR	TERMINAL	1	-	-	-	-	2*	B63BB	18	DKBL	1661224C1	2#	B63AZ	16	DKBL	1661226C1	3%	B63BD	18	DKBL	1661224C1	3&	B63BF	18	DKBL	1661224C1	4-6	-	-	-	-	7	B62-GBK	18	WH	1661224C1	8	B62BK	18	DKBL	1661224C1	9-10	-	-	-	-
CAV	CIRCUIT	GA	COLOR	TERMINAL																																																									
1	-	-	-	-																																																									
2*	B63BB	18	DKBL	1661224C1																																																									
2#	B63AZ	16	DKBL	1661226C1																																																									
3%	B63BD	18	DKBL	1661224C1																																																									
3&	B63BF	18	DKBL	1661224C1																																																									
4-6	-	-	-	-																																																									
7	B62-GBK	18	WH	1661224C1																																																									
8	B62BK	18	DKBL	1661224C1																																																									
9-10	-	-	-	-																																																									
<div style="display: flex; justify-content: space-between;"> <div style="width: 45%;"> <p style="text-align: center;">DOME LIGHT LAST BOW RHEOSTAT (10345) (LOCATED IN ELECTRICAL PANEL)</p>  <p style="text-align: center;">CONNECTOR 1669030C1</p> </div> <div style="width: 50%;"> <table border="1" style="width: 100%; border-collapse: collapse; font-size: x-small;"> <thead> <tr> <th>CAV</th> <th>CIRCUIT</th> <th>GA</th> <th>COLOR</th> <th>TERMINAL</th> </tr> </thead> <tbody> <tr><td>1*</td><td>B63BC</td><td>18</td><td>DKBL</td><td>1661538C1</td></tr> <tr><td>1#</td><td>B63BD</td><td>18</td><td>DKBL</td><td>1661538C1</td></tr> <tr><td>2</td><td>B63BF</td><td>18</td><td>DKBL</td><td>1661538C1</td></tr> </tbody> </table> <p style="font-size: x-small;">* W/ DOME LT LAST BOW SECT W/RHEO OVERHEAD % W/ DOME LT LAST BOW SECT W/RHEO L SW PNL</p> </div> </div>												CAV	CIRCUIT	GA	COLOR	TERMINAL	1*	B63BC	18	DKBL	1661538C1	1#	B63BD	18	DKBL	1661538C1	2	B63BF	18	DKBL	1661538C1																														
CAV	CIRCUIT	GA	COLOR	TERMINAL																																																									
1*	B63BC	18	DKBL	1661538C1																																																									
1#	B63BD	18	DKBL	1661538C1																																																									
2	B63BF	18	DKBL	1661538C1																																																									
<div style="display: flex; justify-content: space-between;"> <div style="width: 45%;"> <p style="text-align: center;">WINCH CONTROL TIRE CARRIER (10346) (LOCATED AT LEFT FRAME RAIL)</p>  <p style="text-align: center;">CONNECTOR 2206666C1</p> </div> <div style="width: 50%;"> <table border="1" style="width: 100%; border-collapse: collapse; font-size: x-small;"> <thead> <tr> <th>CAV</th> <th>CIRCUIT</th> <th>GA</th> <th>COLOR</th> <th>TERMINAL</th> </tr> </thead> <tbody> <tr><td>1</td><td>B115A</td><td>10</td><td>LTGN</td><td>2030385C1</td></tr> <tr><td>2</td><td>B115-GA</td><td>10</td><td>WH</td><td>2030385C1</td></tr> <tr><td>3</td><td>B115</td><td>10</td><td>LTGN</td><td>2030385C1</td></tr> <tr><td>4</td><td>B115-GB</td><td>10</td><td>WH</td><td>2030385C1</td></tr> </tbody> </table> </div> </div>												CAV	CIRCUIT	GA	COLOR	TERMINAL	1	B115A	10	LTGN	2030385C1	2	B115-GA	10	WH	2030385C1	3	B115	10	LTGN	2030385C1	4	B115-GB	10	WH	2030385C1																									
CAV	CIRCUIT	GA	COLOR	TERMINAL																																																									
1	B115A	10	LTGN	2030385C1																																																									
2	B115-GA	10	WH	2030385C1																																																									
3	B115	10	LTGN	2030385C1																																																									
4	B115-GB	10	WH	2030385C1																																																									
CHK	DATE	CHANGE	REV	REFERENCE	DRAWN	NAME																																																							
MJVO	03JUN17	INITIAL RELEASE.	A	93784R	23132922	CIRCUIT DIAGRAM, RE BUS - CHASSIS																																																							
					RELEASE NO.	DATE	PART NO.		SHEET																																																				
					93784R	02MAR17	AE08085143		111																																																				

Figure 226 Connector Body Composites (10344B, 10345, 10346)

12.116. CONNECTOR BODY COMPOSITES (10348, 10351, 10352), P. 112

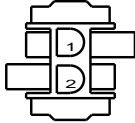
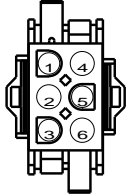
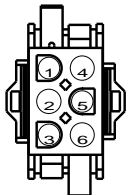
NAVISTAR, INC				ELECTRICAL CIRCUIT DIAGRAM				CHAPTER 12																																						
THIS PRINT IS PROVIDED ON A RESTRICTED BASIS AND IS NOT TO BE USED IN ANY WAY DETRIMENTAL TO THE INTEREST OF NAVISTAR, INC.								CONNECTOR BODY COMPOSITES MATING VIEW SHOWN																																						
<p>TWO-WAY RADIO SUPPLY (10348) (LOCATED IN ELECTRICAL PANEL)</p>  <table border="1" style="margin-left: auto; margin-right: auto; border-collapse: collapse; font-size: x-small;"> <thead> <tr> <th>CAV</th> <th>CIRCUIT</th> <th>GA</th> <th>COLOR</th> <th>TERMINAL</th> </tr> </thead> <tbody> <tr> <td>1</td> <td>B86B</td> <td>14</td> <td>LTGN</td> <td>1661538C1</td> </tr> <tr> <td>2</td> <td>B86-GA</td> <td>14</td> <td>WH</td> <td>1661538C1</td> </tr> </tbody> </table> <p style="text-align: center;">CONNECTOR 1669030C1</p>												CAV	CIRCUIT	GA	COLOR	TERMINAL	1	B86B	14	LTGN	1661538C1	2	B86-GA	14	WH	1661538C1																				
CAV	CIRCUIT	GA	COLOR	TERMINAL																																										
1	B86B	14	LTGN	1661538C1																																										
2	B86-GA	14	WH	1661538C1																																										
<p>JOMARR BUZZER (10351) (LOCATED IN ELECTRICAL PANEL)</p>  <table border="1" style="margin-left: auto; margin-right: auto; border-collapse: collapse; font-size: x-small;"> <thead> <tr> <th>CAV</th> <th>CIRCUIT</th> <th>GA</th> <th>COLOR</th> <th>TERMINAL</th> </tr> </thead> <tbody> <tr> <td>1</td> <td>B144H</td> <td>16</td> <td>GY</td> <td>1661538C1</td> </tr> <tr> <td>2</td> <td>-</td> <td>-</td> <td>-</td> <td>-</td> </tr> <tr> <td>3</td> <td>B144J</td> <td>16</td> <td>GY</td> <td>1661538C1</td> </tr> <tr> <td>4</td> <td>B144</td> <td>16</td> <td>GY</td> <td>1661538C1</td> </tr> <tr> <td>5</td> <td>B144GB</td> <td>16</td> <td>WH</td> <td>1661538C1</td> </tr> <tr> <td>6</td> <td>B144B</td> <td>16</td> <td>GY</td> <td>1661538C1</td> </tr> </tbody> </table> <p style="text-align: center;">CONNECTOR 2206667C1</p>												CAV	CIRCUIT	GA	COLOR	TERMINAL	1	B144H	16	GY	1661538C1	2	-	-	-	-	3	B144J	16	GY	1661538C1	4	B144	16	GY	1661538C1	5	B144GB	16	WH	1661538C1	6	B144B	16	GY	1661538C1
CAV	CIRCUIT	GA	COLOR	TERMINAL																																										
1	B144H	16	GY	1661538C1																																										
2	-	-	-	-																																										
3	B144J	16	GY	1661538C1																																										
4	B144	16	GY	1661538C1																																										
5	B144GB	16	WH	1661538C1																																										
6	B144B	16	GY	1661538C1																																										
<p>JOMARR IND PNL (10352) (LOCATED IN ELECTRICAL PANEL)</p>  <table border="1" style="margin-left: auto; margin-right: auto; border-collapse: collapse; font-size: x-small;"> <thead> <tr> <th>CAV</th> <th>CIRCUIT</th> <th>GA</th> <th>COLOR</th> <th>TERMINAL</th> </tr> </thead> <tbody> <tr> <td>1</td> <td>B144H</td> <td>16</td> <td>GY</td> <td>1661538C1</td> </tr> <tr> <td>2</td> <td>B144GH</td> <td>16</td> <td>WH</td> <td>1661538C1</td> </tr> <tr> <td>3</td> <td>B144J</td> <td>16</td> <td>GY</td> <td>1661538C1</td> </tr> <tr> <td>4</td> <td>B144GJ</td> <td>16</td> <td>WH</td> <td>1661538C1</td> </tr> <tr> <td>5</td> <td>B144F</td> <td>16</td> <td>GY</td> <td>1661538C1</td> </tr> <tr> <td>6</td> <td>B144F</td> <td>16</td> <td>GY</td> <td>1661538C1</td> </tr> </tbody> </table> <p style="text-align: center;">CONNECTOR 2206667C1</p>												CAV	CIRCUIT	GA	COLOR	TERMINAL	1	B144H	16	GY	1661538C1	2	B144GH	16	WH	1661538C1	3	B144J	16	GY	1661538C1	4	B144GJ	16	WH	1661538C1	5	B144F	16	GY	1661538C1	6	B144F	16	GY	1661538C1
CAV	CIRCUIT	GA	COLOR	TERMINAL																																										
1	B144H	16	GY	1661538C1																																										
2	B144GH	16	WH	1661538C1																																										
3	B144J	16	GY	1661538C1																																										
4	B144GJ	16	WH	1661538C1																																										
5	B144F	16	GY	1661538C1																																										
6	B144F	16	GY	1661538C1																																										
CHK	DATE	CHANGE	REV	REFERENCE	DRAWN	NAME																																								
MJVO	03JUN17	INITIAL RELEASE.	A	93784R	23132922	CIRCUIT DIAGRAM, RE BUS - CHASSIS																																								
					RELEASE NO.	DATE	PART NO.			SHEET																																				
					93784R	02MAR17	AE08085143			112																																				

Figure 227 Connector Body Composites (10348, 10351, 10352)

12.117. CONNECTOR BODY COMPOSITES, (10353, 10354, 10358), P. 113

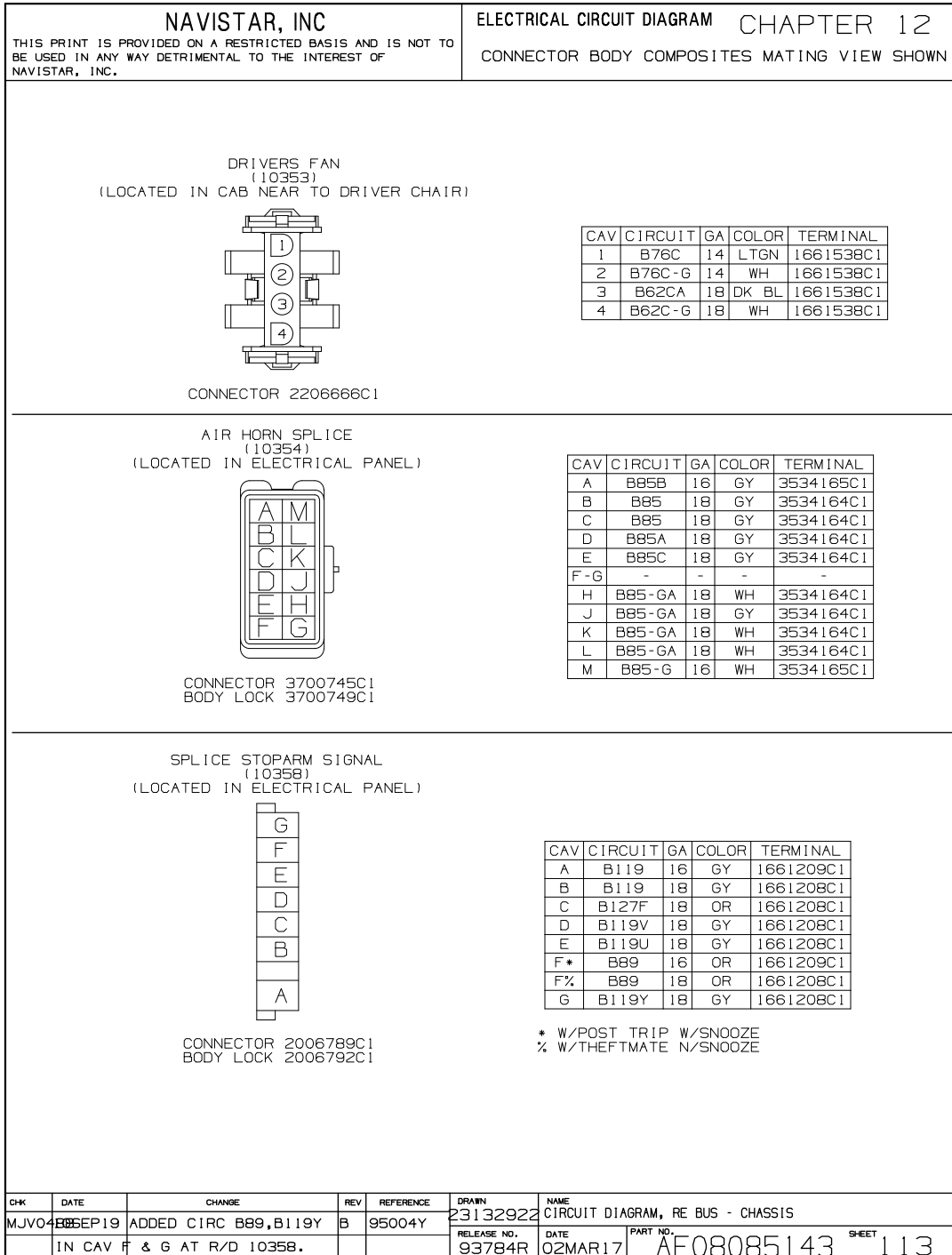


Figure 228 Connector Body Composites, (10353, 10354, 10358)

12.118. CONNECTOR BODY COMPOSITES (10360, 10365, 10368, 10398), P. 114

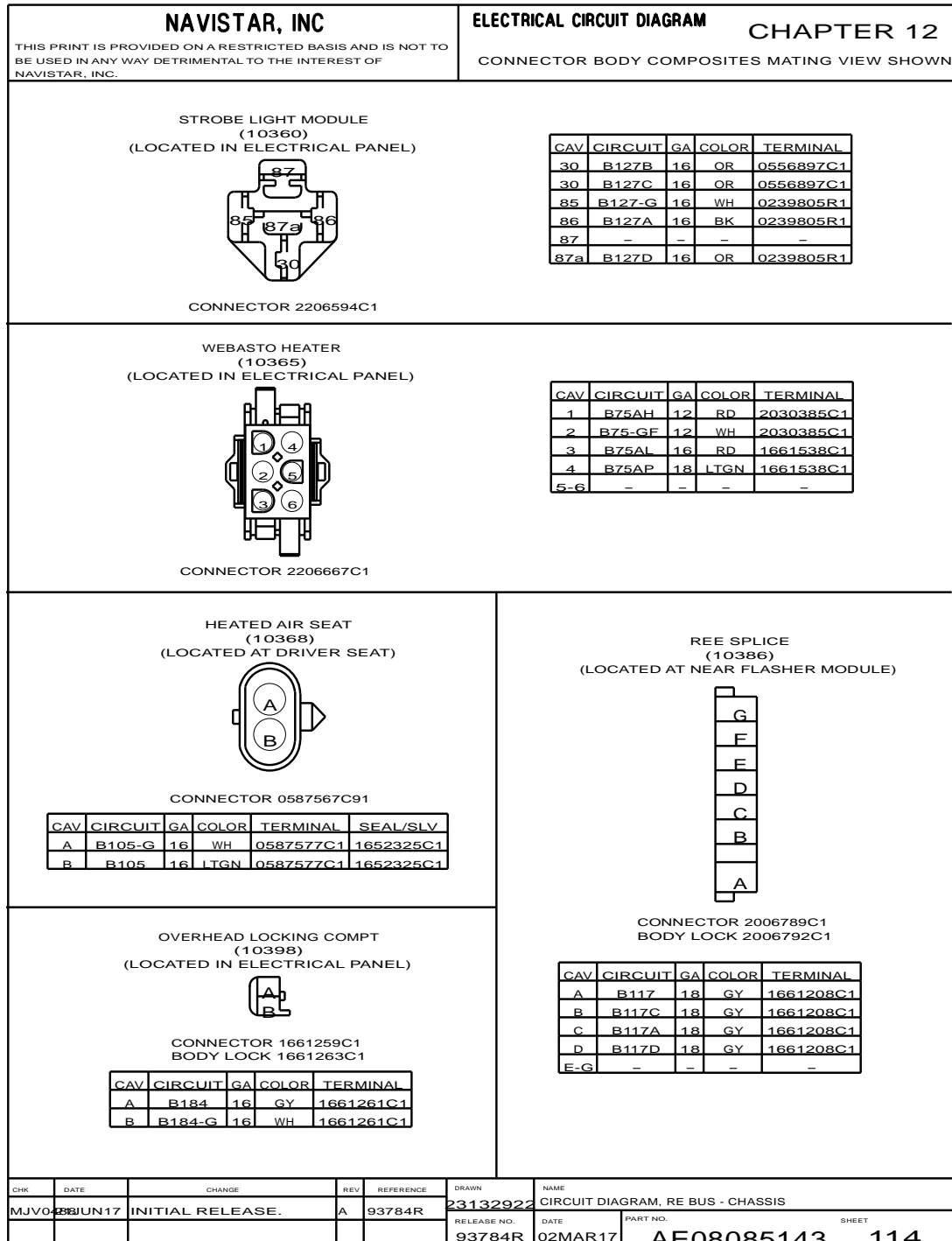


Figure 229 Connector Body Composites (10360, 10365, 10368, 10398)

12.119. CONNECTOR BODY COMPOSITES (10400), P. 115

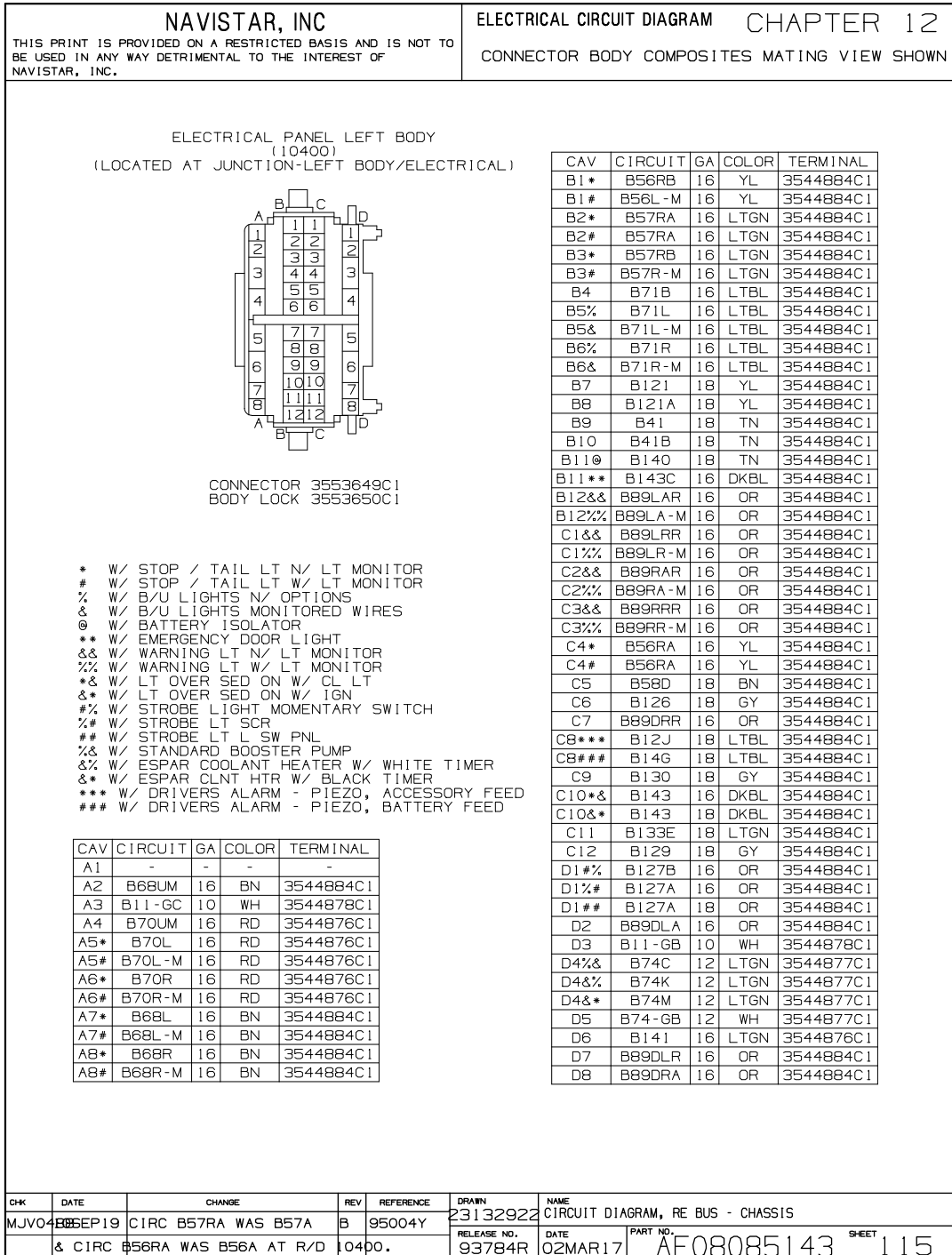


Figure 230 Connector Body Composites (10400)

12.120. CONNECTOR BODY COMPOSITES (10401), P. 116

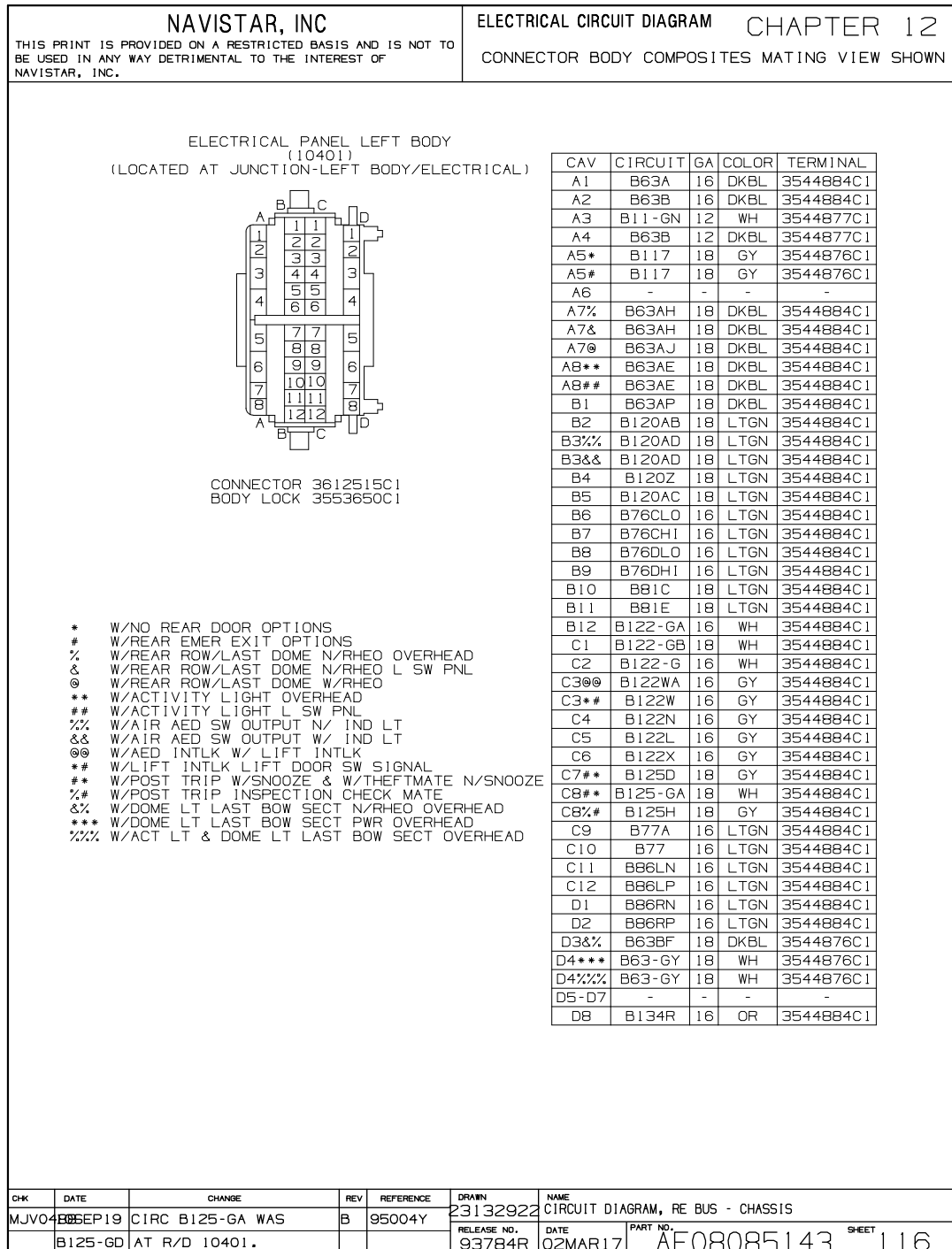


Figure 231 Connector Body Composites (10401)

12.121. CONNECTOR BODY COMPOSITES (10513, 10751, 10751A, 10766), P. 117

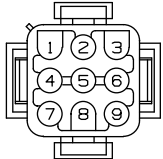


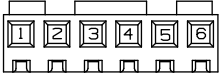
NAVISTAR, INC				ELECTRICAL CIRCUIT DIAGRAM CHAPTER 12																																																																																								
THIS PRINT IS PROVIDED ON A RESTRICTED BASIS AND IS NOT TO BE USED IN ANY WAY DETRIMENTAL TO THE INTEREST OF NAVISTAR, INC.				CONNECTOR BODY COMPOSITES MATING VIEW SHOWN																																																																																								
FIRE SUPPRESSION JOMARR (10513) (LOCATED AT FRONT CAP)																																																																																												
				<table border="1" style="width:100%; border-collapse: collapse; font-size: x-small;"> <thead> <tr> <th>CAV</th><th>CIRCUIT</th><th>GA</th><th>COLOR</th><th>TERMINAL</th></tr> </thead> <tbody> <tr><td>1</td><td>B144</td><td>16</td><td>GY</td><td>1661539C1</td></tr> <tr><td>2</td><td>B144A</td><td>16</td><td>GY</td><td>1661539C1</td></tr> <tr><td>3</td><td>B144B</td><td>16</td><td>GY</td><td>1661539C1</td></tr> <tr><td>4</td><td>B144D</td><td>16</td><td>GY</td><td>1661539C1</td></tr> <tr><td>5</td><td>B144E</td><td>16</td><td>GY</td><td>1661539C1</td></tr> <tr><td>6</td><td>B144F</td><td>16</td><td>GY</td><td>1661539C1</td></tr> <tr><td>7</td><td>B144G</td><td>16</td><td>WH</td><td>1661539C1</td></tr> <tr><td>B-9</td><td>-</td><td>-</td><td>-</td><td>-</td></tr> </tbody> </table>				CAV	CIRCUIT	GA	COLOR	TERMINAL	1	B144	16	GY	1661539C1	2	B144A	16	GY	1661539C1	3	B144B	16	GY	1661539C1	4	B144D	16	GY	1661539C1	5	B144E	16	GY	1661539C1	6	B144F	16	GY	1661539C1	7	B144G	16	WH	1661539C1	B-9	-	-	-	-																																								
CAV	CIRCUIT	GA	COLOR	TERMINAL																																																																																								
1	B144	16	GY	1661539C1																																																																																								
2	B144A	16	GY	1661539C1																																																																																								
3	B144B	16	GY	1661539C1																																																																																								
4	B144D	16	GY	1661539C1																																																																																								
5	B144E	16	GY	1661539C1																																																																																								
6	B144F	16	GY	1661539C1																																																																																								
7	B144G	16	WH	1661539C1																																																																																								
B-9	-	-	-	-																																																																																								
CONNECTOR 2206659C1																																																																																												
PARK BRAKE WARNING (-) (10751) (LOCATED NEAR DASH CONN IN PLATFORM)																																																																																												
				<table border="1" style="width:100%; border-collapse: collapse; font-size: x-small;"> <thead> <tr> <th>CAV</th><th>CIRCUIT</th><th>GA</th><th>COLOR</th><th>TERMINAL</th></tr> </thead> <tbody> <tr><td>A</td><td>A79W-G</td><td>14</td><td>WH</td><td>0188396R1</td></tr> </tbody> </table>				CAV	CIRCUIT	GA	COLOR	TERMINAL	A	A79W-G	14	WH	0188396R1																																																																											
CAV	CIRCUIT	GA	COLOR	TERMINAL																																																																																								
A	A79W-G	14	WH	0188396R1																																																																																								
CONNECTOR 0188395R1																																																																																												
PARK BRAKE WARNING (+) (10751A) (LOCATED NEAR DASH CONN IN PLATFORM)																																																																																												
				<table border="1" style="width:100%; border-collapse: collapse; font-size: x-small;"> <thead> <tr> <th>CAV</th><th>CIRCUIT</th><th>GA</th><th>COLOR</th><th>TERMINAL</th></tr> </thead> <tbody> <tr><td>A</td><td>A79V</td><td>16</td><td>GY</td><td>0188396R1</td></tr> </tbody> </table>				CAV	CIRCUIT	GA	COLOR	TERMINAL	A	A79V	16	GY	0188396R1																																																																											
CAV	CIRCUIT	GA	COLOR	TERMINAL																																																																																								
A	A79V	16	GY	0188396R1																																																																																								
CONNECTOR 0188395R1																																																																																												
EP-1 PLUS (10766) (LOCATED NEAR DRIVER CONTROL MODULE)																																																																																												
				<table border="1" style="width:100%; border-collapse: collapse; font-size: x-small;"> <thead> <tr> <th>CAV</th><th>CIRCUIT</th><th>GA</th><th>COLOR</th><th>TERMINAL</th></tr> </thead> <tbody> <tr><td>1*</td><td>B125A</td><td>18</td><td>GY</td><td>3761061C1</td></tr> <tr><td>1%</td><td>B14E</td><td>18</td><td>RD</td><td>3761061C1</td></tr> <tr><td>1#</td><td>B125A</td><td>18</td><td>GY</td><td>3761061C1</td></tr> <tr><td>2*</td><td>B125B-G</td><td>18</td><td>WH</td><td>3761061C1</td></tr> <tr><td>2%</td><td>B125-G</td><td>18</td><td>WH</td><td>3761061C1</td></tr> <tr><td>2#</td><td>B125B-G</td><td>18</td><td>WH</td><td>3761061C1</td></tr> <tr><td>3*</td><td>B125</td><td>18</td><td>GY</td><td>3761061C1</td></tr> <tr><td>3%</td><td>B13</td><td>18</td><td>PK</td><td>3761061C1</td></tr> <tr><td>3#</td><td>B125</td><td>18</td><td>GY</td><td>3761061C1</td></tr> <tr><td>4</td><td>B125D</td><td>18</td><td>GY</td><td>3761061C1</td></tr> <tr><td>5*</td><td>B119</td><td>18</td><td>GY</td><td>3761061C1</td></tr> <tr><td>5%</td><td>B60B</td><td>18</td><td>OR</td><td>3761061C1</td></tr> <tr><td>5#</td><td>B119</td><td>18</td><td>GY</td><td>3761061C1</td></tr> <tr><td>6*</td><td>B85</td><td>18</td><td>WH</td><td>3761061C1</td></tr> <tr><td>6%</td><td>B53B</td><td>18</td><td>YL</td><td>3761061C1</td></tr> <tr><td>6#</td><td>B85</td><td>18</td><td>WH</td><td>3761061C1</td></tr> </tbody> </table>				CAV	CIRCUIT	GA	COLOR	TERMINAL	1*	B125A	18	GY	3761061C1	1%	B14E	18	RD	3761061C1	1#	B125A	18	GY	3761061C1	2*	B125B-G	18	WH	3761061C1	2%	B125-G	18	WH	3761061C1	2#	B125B-G	18	WH	3761061C1	3*	B125	18	GY	3761061C1	3%	B13	18	PK	3761061C1	3#	B125	18	GY	3761061C1	4	B125D	18	GY	3761061C1	5*	B119	18	GY	3761061C1	5%	B60B	18	OR	3761061C1	5#	B119	18	GY	3761061C1	6*	B85	18	WH	3761061C1	6%	B53B	18	YL	3761061C1	6#	B85	18	WH	3761061C1
CAV	CIRCUIT	GA	COLOR	TERMINAL																																																																																								
1*	B125A	18	GY	3761061C1																																																																																								
1%	B14E	18	RD	3761061C1																																																																																								
1#	B125A	18	GY	3761061C1																																																																																								
2*	B125B-G	18	WH	3761061C1																																																																																								
2%	B125-G	18	WH	3761061C1																																																																																								
2#	B125B-G	18	WH	3761061C1																																																																																								
3*	B125	18	GY	3761061C1																																																																																								
3%	B13	18	PK	3761061C1																																																																																								
3#	B125	18	GY	3761061C1																																																																																								
4	B125D	18	GY	3761061C1																																																																																								
5*	B119	18	GY	3761061C1																																																																																								
5%	B60B	18	OR	3761061C1																																																																																								
5#	B119	18	GY	3761061C1																																																																																								
6*	B85	18	WH	3761061C1																																																																																								
6%	B53B	18	YL	3761061C1																																																																																								
6#	B85	18	WH	3761061C1																																																																																								
CONNECTOR 3761059C1																																																																																												
* W/ PTI N/SPLIT SW DOME LIGHTS # W/ POST TRIP W/ ALTN RELAY LOCATION % W/ POST TRIP W/SNOOZE																																																																																												
CHK	DATE	CHANGE	REV	REFERENCE	DRAWN	NAME																																																																																						
MJVO	08SEP19	ADDED CIRC IN CAV 1,2	B	95004Y	23132922	CIRCUIT DIAGRAM, RE BUS - CHASSIS																																																																																						
				RELEASE NO.	DATE	PART NO.	SHEET																																																																																					
				93784R	02MAR17	AE08085143	117																																																																																					

Figure 232 Connector Body Composites (10513, 10751, 10751A, 10766)

12.122. CONNECTOR BODY COMPOSITES (11000), P. 118

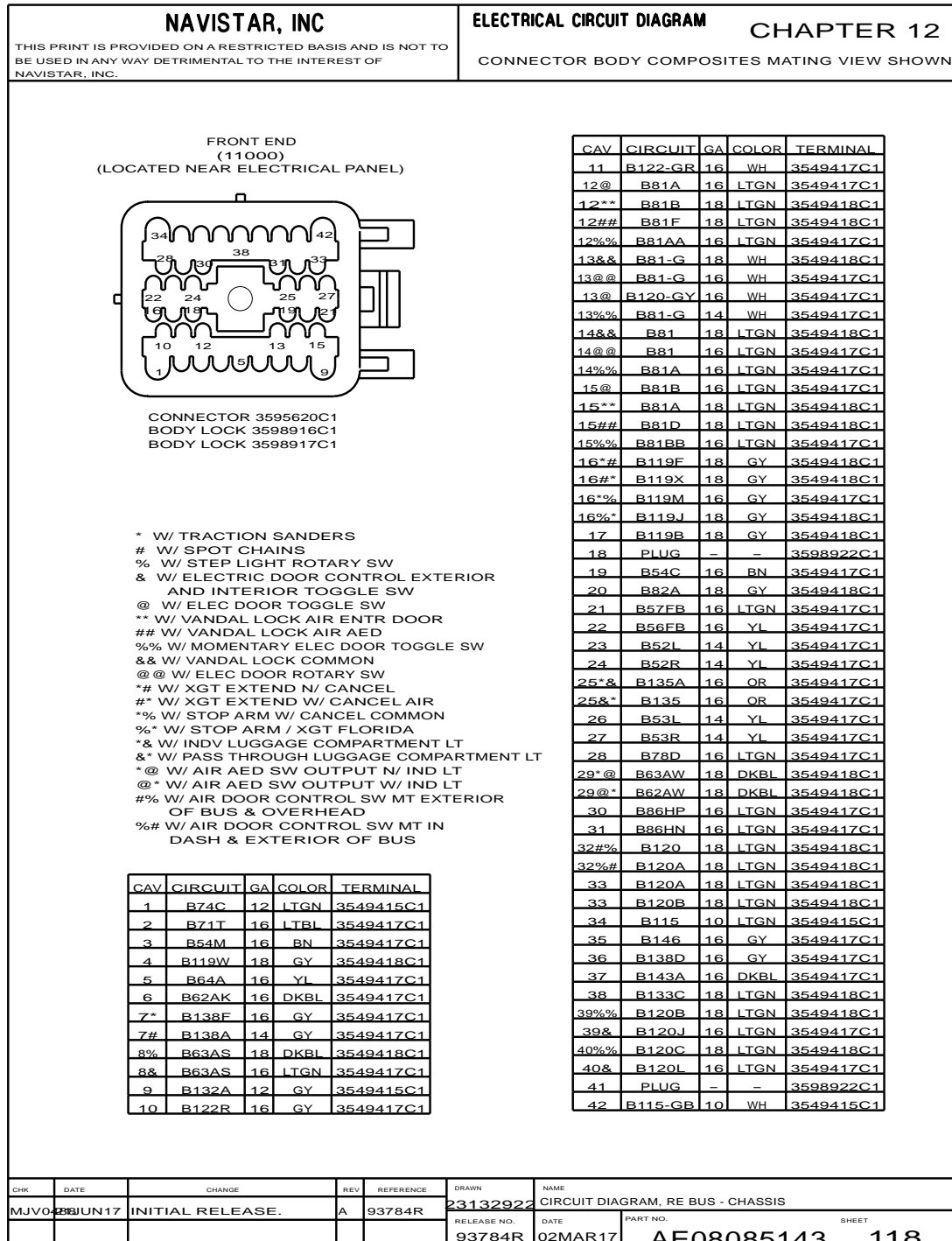


Figure 233 Connector Body Composites (11000)

12.123. CONNECTOR BODY COMPOSITES (11632, 11633), P. 119

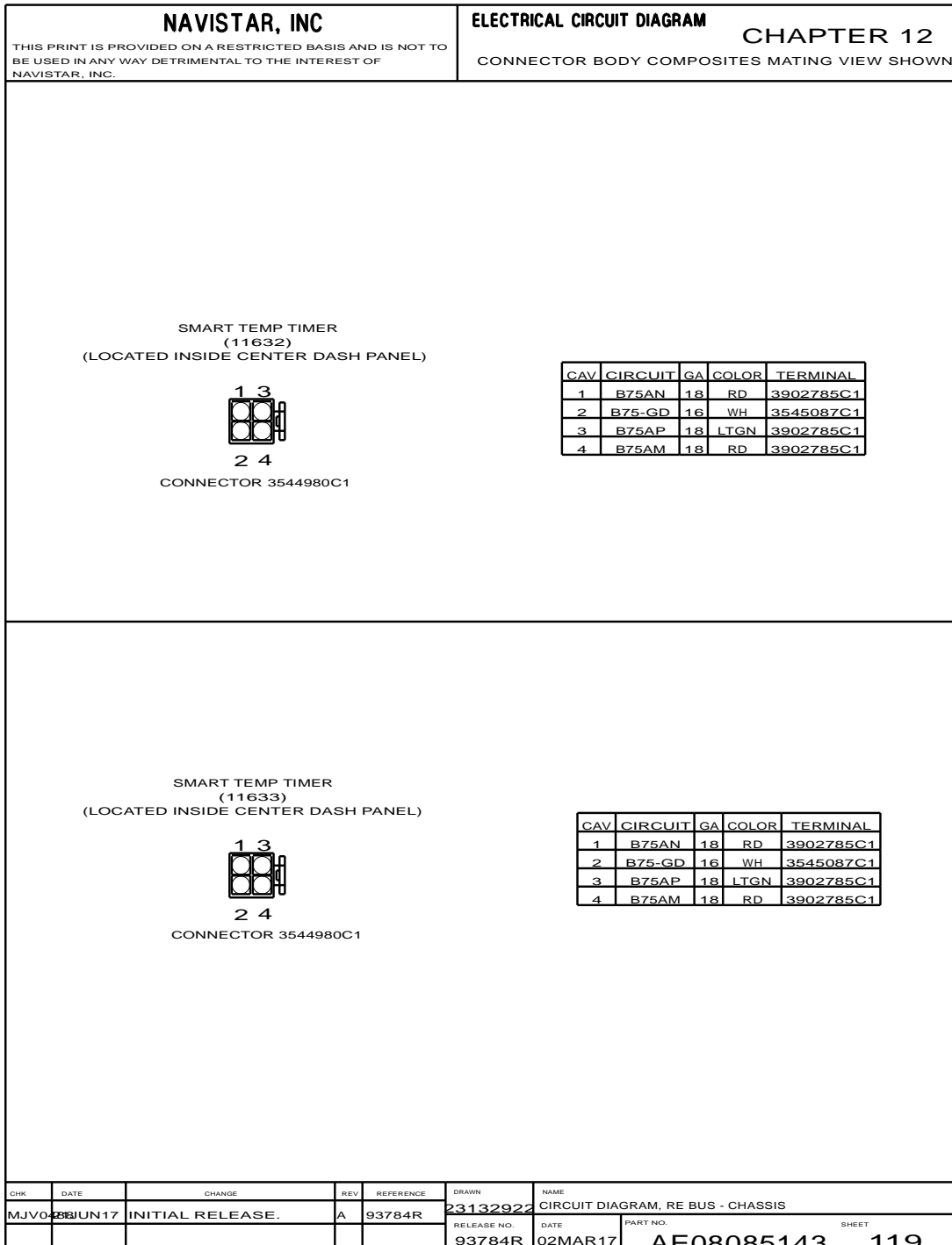


Figure 234 Connector Body Composites (11632, 11633),